

MOBIL OIL OF CANADA, LTD.

DATE JUNE 12/65

No. _____ DAILY TIME SHEET 216

DRILLING REPORT

No. _____

34 CONTRACTOR PARKER DRILL CO. RIG No. 10

Well _____

Approved _____ Date _____

WORK RECORD

12 - 8 TOUR

FROM TO FOOTAGE HRS. S

Tour 1 Midnite to 8 A.M. Hrs.

TRAVEL

DRILLED
REAMED
CORED

DRILLER JUNE 12 1965
DERRICK STAN WATSON 8
MOTORMAN EH TREGASKIS 8
FLOORMAN JOE PAUL 8
FLOORMAN
FIREMAN

TALLY BIT RECORD

No. LENGTH BIT No.
STANDS SIZE
SINGLE MAKE
D.C.'s TYPE
SERIAL
JET SIZE
FROM
TO
FOOTAGE
KELLY IN HRS.
TOTAL
RATHOLE TOP COND.

REMARKS AND INJURIES:

CONTRACTOR'S TIME

CO's. TIME

8 - 4 TOUR

FROM TO FOOTAGE HRS. SIZE

Tour 2 8 A.M. to 4 P.M. Hrs.

TRAVEL

DRILLED
REAMED
CORED

DRILLER JUNE 13 1965
DERRICK
MOTORMAN S. WATSON 8
FLOORMAN EH. TREGASKIS 8
FLOORMAN JOE PAUL 8
FIREMAN

TALLY BIT RECORD

No. LENGTH BIT No.
STANDS SIZE
SINGLE MAKE
D.C.'s TYPE
SERIAL
JET SIZE
FROM
TO
FOOTAGE
KELLY IN HRS.
TOTAL
RATHOLE TOP COND.

REMARKS AND INJURIES:

CONTRACTOR'S TIME

CO's. TIME

4 - 12 TOUR

FROM TO FOOTAGE HRS. SIZE

Tour 3 4 P.M. to Midnite Hrs.

TRAVEL

DRILLED
REAMED
CORED

DRILLER JUNE 14 1965
DERRICK
MOTORMAN EH. TREGASKIS 8
FLOORMAN JOE PAUL 8
FLOORMAN
FIREMAN

TALLY BIT RECORD

No. LENGTH BIT No.
STANDS SIZE
SINGLE MAKE
D.C.'s TYPE
SERIAL
JET SIZE
FROM
TO
FOOTAGE
KELLY IN HRS.
TOTAL
RATHOLE TOP COND.

REMARKS AND INJURIES:

CONTRACTOR'S TIME

CO's. TIME

MIN.

EQUIPMENT FAILURES

TIME LOST

TON MILE

TOOL PUSHER: *[Signature]*

APPROVED: *[Signature]*

CALGARY OFFICE

SOCONY MOBIL OIL OF CANADA, LTD.

DAILY DRILLING REPORT

FIELD or AREA: ENGLE PLANE WELL NAME & No. BIRCH 412-34 CONTRACTOR PARKER DRILL

TIME	MUD RECORD				BIT WT. M	TABLE RPM	PUMP		DEVIATION		START	STOP	HRS.	WORK RECORD	12-8 TOUR
	WT.	VISC.	W.L.	F.C.			SPM	PRESS	DEPTH	DEG.					
2 A.M.														<p>STACK EMPTY OIL DRUMS ON TO DOCK. COVER DRILL HOOD WASH & PAINT SW.</p> <p>STACK OUT RIG & CAMP.</p>	
4 A.M.															
6 A.M.															
8 A.M.															
LINER SIZE: _____ STROKE _____ MUD & CHEMICALS LBS. Added: _____ KIND _____											BOP Tested	DRILLER:	CONTRACTOR'S TIME	CO'S TIME	

TIME	MUD RECORD				BIT WT. M	TABLE RPM	PUMP		DEVIATION		START	STOP	HRS.	WORK RECORD	8-4 TOUR
	WT.	VISC.	W.L.	F.C.			SPM	PRESS	DEPTH	DEG.					
10 A.M.															
NOON															
2 P.M.															
4 P.M.															
LINER SIZE: _____ STROKE _____ MUD & CHEMICALS LBS. Added: _____ KIND _____											BOP Tested	DRILLER:	CONTRACTOR'S TIME	CO'S TIME	

TIME	MUD RECORD				BIT WT. M	TABLE RPM	PUMP		DEVIATION		START	STOP	HRS.	WORK RECORD	4-12 TOUR
	WT.	VISC.	W.L.	F.C.			SPM	PRESS	DEPTH	DEG.					
6 P.M.														<p>TRAVEL FROM DALLAS ON 24 TO GRAND RAPIDS</p>	
8 P.M.															
10 P.M.															
12 P.M.															
LINER SIZE: _____ STROKE _____ MUD & CHEMICALS LBS. Added: _____ KIND _____ LBS. _____ ON HAND _____											BOP Tested	DRILLER: <u>Baird</u>	CONTRACTOR'S TIME	CO'S TIME	

CASING TESTED TO: _____ PSI. MIN. FORMATION TESTED PSI. MIN. EQUIPMENT FAILURES _____

RIG FUEL CONSUMPTION _____ GALS BOILER FUEL CONSUMPTION _____ GALS WIRELINE TON MILE _____ TOOL PUSHER: J. H. ...

DBIL OIL OF CANADA, LTD.

DATE JUN 20/65

No. _____ DAILY TIME SHEET

Well BIRCH YTD-34

BILLING REPORT

CONTRACTOR PARKER DRILL Co.

RIG No. 10

Approved _____

Date JUN 20/65

WORK RECORD

12 - 8 TOUR

FROM TO FOOTAGE HRS. SIZE

Tour 1 Midnite to 8 A.M. Hrs.

DRILLED
REAMED
CORED

5413 TD.

DRILLER W. LANGRISH 12

DERRICK

MOTORMAN R. LACROIX 12

FLOORMAN J. WIRTH 12

FLOORMAN L. RYKS 12

FIREMAN

REMARKS AND INJURIES:

~~WENT ON DROPS ON TO
COVER DRILL HOOD
DINT 500.~~

~~OUT RIG & CAMP.~~

TALLY

BIT RECORD

No.	LENGTH	BIT No.
STANDS		SIZE
SINGLE		MAKE
D.C.'s		TYPE
		SERIAL
		JET SIZE
		FROM
		TO
KELLY IN		FOOTAGE
TOTAL		HRS.
RAT HOLE TOP		COND.

CONTRACTOR'S TIME

CO'S TIME

8 - 4 TOUR

FROM TO FOOTAGE HRS. SIZE

Tour 2 8 A.M. to 4 P.M. Hrs.

DRILLED
REAMED
CORED

DRILLER SWATSON 12

DERRICK BH TRIGASKIS 12

MOTORMAN J. PAUL 12

FLOORMAN E. SCHACKER 12

FLOORMAN

FIREMAN

REMARKS AND INJURIES:

TALLY

BIT RECORD

No.	LENGTH	BIT No.
STANDS		SIZE
SINGLE		MAKE
D.C.'s		TYPE
		SERIAL
		JET SIZE
		FROM
		TO
KELLY IN		FOOTAGE
TOTAL		HRS.
RAT HOLE TOP		COND.

CONTRACTOR'S TIME

CO'S TIME

4 - 12 TOUR

FROM TO FOOTAGE HRS. SIZE

Tour 3 4 P.M. to Midnite Hrs.

DRILLED
REAMED
CORED

TD 5419

TRAVEL

DRILLER G. BARNHART 8

DERRICK W. RYKS 8

MOTORMAN J. FRY 8

FLOORMAN D. HEBNER 8

FLOORMAN A. BROOKS 8

FIREMAN

REMARKS AND INJURIES:

No.	LENGTH	BIT No.
STANDS		SIZE
SINGLE		MAKE
D.C.'s		TYPE
		SERIAL
		JET SIZE
		FROM
		TO
KELLY IN		FOOTAGE
TOTAL		HRS.
RAT HOLE TOP		COND.

CONTRACTOR'S TIME

CO'S TIME

MIN.

EQUIPMENT FAILURES

TIME LOST

TON MILE

TOOL PUSHER: [Signature]

APPROVED: [Signature]

CALGARY OFFICE

SOCONY MOBIL OIL OF CANADA, LTD.

DAILY DRILLING REPORT

FIELD or AREA: ENGLE PLAIN WELL NAME & No. BIRCH 4TB-34 CONTRACTOR PARKER DRILL

TIME	MUD RECORD				BIT WT. M	TABLE RPM	PUMP		DEVIATION		START	STOP	HRS.	WORK RECORD	12 - 8 TOUR
	WT.	VISC.	W.L.	F.C.			SPM	PRESS	DEPTH	DEG.					
2 A.M.														WASH & PAINT SUB. STACK EMPTY OIL DRUMS ONTO DOCK STACK OUT RIG.	
4 A.M.															
6 A.M.															
8 A.M.															
LINER SIZE: _____ STROKE _____ MUD & CHEMICALS LBS. Added: _____ KIND: _____											BOP Tested	DRILLER:	CONTRACTOR'S TIME	CO'S. TIME	
LINER SIZE: _____ STROKE _____ MUD & CHEMICALS LBS. Added: _____ KIND: _____											BOP Tested	DRILLER:	CONTRACTOR'S TIME	CO'S. TIME	
LINER SIZE: _____ STROKE _____ MUD & CHEMICALS LBS. Added: _____ KIND: _____											BOP Tested	DRILLER:	CONTRACTOR'S TIME	CO'S. TIME	
LINER SIZE: _____ STROKE _____ MUD & CHEMICALS LBS. Added: _____ KIND: _____											BOP Tested	DRILLER:	CONTRACTOR'S TIME	CO'S. TIME	

CASING TESTED TO: _____ PSI. MIN. FORMATION TESTED _____ PSI. MIN. EQUIPMENT FAILURES _____
 RIG FUEL CONSUMPTION _____ GALS BOILER FUEL CONSUMPTION _____ GALS WIRELINE TON MILE _____ TOOL PUSHER: *[Signature]*

DBIL OIL OF CANADA, LTD.

DATE _____

No. _____ DAILY TIME SHEET 335

ILLING REPORT

4 CONTRACTOR *PARKER DRILL CO.* RIG No. *10*

Well *BIRCH 4 TD-34*

Approved _____ Date *JUNE 10*

WORK RECORD

12 - 8 TOUR

*PAINT SUB.
EMPTY OIL DRUMS ONTO
STACK OUT RIG.*

	FROM	TO	FOOTAGE	HRS.	SIZE
DRILLED	<i>T.D. 5413</i>				
REAMED	<i>TRAVEL</i>				
CORED					

Tour 1	Midnite to 8 A.M.	Hrs.
DRILLER	<i>WM. LANGSTON</i>	<i>12</i>
DERRICK	<i>PAUL PAVELICH</i>	<i>8</i>
MOTORMAN	<i>R. LACROIX</i>	<i>12</i>
FLOORMAN	<i>JOHN WIRTH</i>	<i>12</i>
FLOORMAN	<i>L. RYKS</i>	<i>12</i>
FIREMAN		

TALLY		BIT RECORD	
No.	LENGTH	BIT No.	
STANDS		SIZE	
SINGLE		MAKE	
D.C.'s		TYPE	
		SERIAL	
		JET SIZE	
		FROM	
		TO	
KELLY IN		FOOTAGE	
TOTAL		HRS.	
RAT HOLE TOP		COND.	

REMARKS AND INJURIES:

CONTRACTOR'S TIME

CO's. TIME

8 - 4 TOUR

	FROM	TO	FOOTAGE	HRS.	SIZE
DRILLED					
REAMED					
CORED					

Tour 2	8 A.M. to 4 P.M.	Hrs.
DRILLER	<i>S. WATSON</i>	<i>12</i>
DERRICK	<i>H. TRZEBSKI</i>	<i>12</i>
MOTORMAN	<i>J. PAUL</i>	<i>12</i>
FLOORMAN	<i>E. SCHNEIDER</i>	<i>12</i>
FLOORMAN		
FIREMAN		

TALLY		BIT RECORD	
No.	LENGTH	BIT No.	
STANDS		SIZE	
SINGLE		MAKE	
D.C.'s		TYPE	
		SERIAL	
		JET SIZE	
		FROM	
		TO	
KELLY IN		FOOTAGE	
TOTAL		HRS.	
RAT HOLE TOP		COND.	

REMARKS AND INJURIES:

CONTRACTOR'S TIME

CO's. TIME

4 - 12 TOUR

Move Rig to Dawson City.

	FROM	TO	FOOTAGE	HRS.	SIZE
DRILLED	<i>T.D. 5412</i>				
REAMED					
CORED					

Tour 3	4 P.M. to Midnite	Hrs.
DRILLER	<i>G. BARNHURST</i>	<i>10</i>
DERRICK	<i>W. RINAS</i>	<i>8</i>
MOTORMAN	<i>J. FREY</i>	<i>8</i>
FLOORMAN	<i>D. HEBNER</i>	<i>8</i>
FLOORMAN	<i>H. BROOKS</i>	<i>8</i>
FIREMAN		

TALLY		BIT RECORD	
No.	LENGTH	BIT No.	
STANDS		SIZE	
SINGLE		MAKE	
D.C.'s		TYPE	
		SERIAL	
		JET SIZE	
		FROM	
		TO	
KELLY IN		FOOTAGE	
TOTAL		HRS.	
RAT HOLE TOP		COND.	

REMARKS AND INJURIES:

CONTRACTOR'S TIME

CO's. TIME

MIN.

EQUIPMENT FAILURES

TIME LOST

TON MILE

TOOL PUSHER: *[Signature]*

APPROVED: *[Signature]*

CALGARY OFFICE

SOCONY MOBIL OIL OF CANADA, LTD.

DAILY DRILLING REPORT

FIELD or AREA: EAGLE PLAIN WELL NAME & No. BIRCH YTB-34 CONTRACTOR PARKER DR.

TIME	MUD RECORD				BIT WT. M	TABLE RPM	PUMP		DEVIATION		START	STOP	HRS.	WORK RECORD	12-8 TOUR
	WT.	VISC.	W.L.	F.C.			SPM	PRESS	DEPTH	DEG.					
2 A.M.															
4 A.M.															
6 A.M.															
8 A.M.															
LINER SIZE: _____ STROKE _____ MUD & CHEMICALS LBS. Added: _____ KIND: _____															
											BOP Tested	DRILLER:	CONTRACTOR'S TIME	CO'S TIME	
	MUD RECORD				BIT WT. M	TABLE RPM	PUMP		DEVIATION		START	STOP	HRS.	WORK RECORD	8-4 TOUR
	WT.	VISC.	W.L.	F.C.			SPM	PRESS	DEPTH	DEG.					
10 A.M.														JUNE 9/65 TRAVEL FROM DAWSON CITY TO EDMONTON. FRANK KREMP 8 HRS. LAWRENCE HOULAHAN 8 HRS. WERNER RYKS 8 HRS. VICTOR HACHEY 8 HRS.	
NOON															
2 P.M.															
4 P.M.															
LINER SIZE: _____ STROKE _____ MUD & CHEMICALS LBS. Added: _____ KIND: _____															
											BOP Tested	DRILLER:	CONTRACTOR'S TIME	CO'S TIME	
	MUD RECORD				BIT WT. M	TABLE RPM	PUMP		DEVIATION		START	STOP	HRS.	WORK RECORD	4-12 TOUR
	WT.	VISC.	W.L.	F.C.			SPM	PRESS	DEPTH	DEG.					
6 P.M.														FINISH PAINTING DECK + DRAWINGS. TEAR OUT FUEL LINE + PICKUP, SHOE, 12" PICK UP + CLEAN UP LENSE.	
8 P.M.															
10 P.M.															
12 P.M.															
LINER SIZE: _____ STROKE _____ MUD & CHEMICALS LBS. Added: _____ KIND: _____ LBS. ON HAND: _____															
											BOP Tested	DRILLER: <u>A. Barlow</u>	CONTRACTOR'S TIME	CO'S TIME	

CASING TESTED TO: _____ PSI. MIN. FORMATION TESTED _____ PSI. MIN. EQUIPMENT FAILURES _____
 RIG FUEL CONSUMPTION: _____ GALS BOILER FUEL CONSUMPTION: _____ GALS WIRELINE TON MILE _____ TOOL PUSHER: 78

BIL OIL OF CANADA, LTD.

DATE JUN 9/65

No. _____ DAILY TIME SHEET

Well BIRCH YTB-34

LOGGING REPORT

CONTRACTOR PARKER DRILL CO. RIG No. 10

Approved _____ Date JUN 9/65

WORK RECORD

12 - 8 TOUR

FROM TO FOOTAGE HRS. SIZE

Tour 1 Midnite to 8 A.M. Hrs.

DRILLED
REAMED
CORED

DRILLER LOM. LANGRISH 12
DERRICK PAUL PAVELICH 12
MOTORMAN RICHARD LACROIX 12
FLOORMAN LEONARD RYKS 12
FLOORMAN JOHN WIRTH 12
FIREMAN WIRTH 12

TALLY

BIT RECORD

No. LENGTH BIT No.
STANDS SIZE
SINGLE MAKE
D.C.'s TYPE
SERIAL
JET SIZE
FROM
TO
FOOTAGE
KELLY IN HRS.
TOTAL

REMARKS AND INJURIES:

CONTRACTOR'S TIME

CO's TIME

RAT HOLE TOP

8 - 4 TOUR

FROM TO FOOTAGE HRS. SIZE

Tour 2 8 A.M. to 4 P.M. Hrs.

DRILLED
REAMED
CORED

DRILLER STAN WATSON 12
DERRICK EH. TEGASKIS 12
MOTORMAN J. PAUL 12
FLOORMAN E. SCHACHAR 12
FLOORMAN
FIREMAN

TALLY

BIT RECORD

No. LENGTH BIT No.
STANDS SIZE
SINGLE MAKE
D.C.'s TYPE
SERIAL
JET SIZE
FROM
TO
FOOTAGE
KELLY IN HRS.
TOTAL

REMARKS AND INJURIES:

CONTRACTOR'S TIME

CO's TIME

RAT HOLE TOP

4 - 12 TOUR

FROM TO FOOTAGE HRS. SIZE

Tour 3 4 P.M. to Midnite Hrs.

DRILLED
REAMED
CORED

DRILLER G. BARNUM 12
DERRICK W. RUDIS 12
MOTORMAN J. FREY 12
FLOORMAN D. HEIBNER 12
FLOORMAN A. BROOKS 12
FIREMAN

TALLY

BIT RECORD

No. LENGTH BIT No.
STANDS SIZE
SINGLE MAKE
D.C.'s TYPE
SERIAL
JET SIZE
FROM
TO
FOOTAGE
KELLY IN HRS.
TOTAL

REMARKS AND INJURIES:

CONTRACTOR'S TIME

CO's TIME

RAT HOLE TOP

EQUIPMENT FAILURES

TIME LOST

TOOL PUSHER: [Signature]

APPROVED: [Signature]

CALGARY OFFICE

SOCONY MOBIL OIL OF CANADA, LTD.

DAILY DRILLING REPORT

FIELD or AREA: FABLE PLANE WELL NAME & No. BIRCH YTB-34 CONTRACTOR PARKER DRILL

TIME	MUD RECORD				BIT WT. M	TABLE RPM	PUMP		DEVIATION		START	STOP	HRS.	WORK RECORD	12-8 TOUR			
	WT.	VISC.	W.L.	F.C.			SPM	PRESS	DEPTH	DEG.								
2 A.M.														TEAR OUT FLOOR, INSTALL TUBING SPOOL LAY DOWN DERRICK 1200 1230 1/2 LAY DOWN 21 JTS DRILL PIPE 1230 TEAR OUT FLOOR INSTALL TUBING SPOOL, LAY DOWN DERRICK 800 7/2 830 1200 TEAR OUT BIT				
4 A.M.																		
6 A.M.																		
8 A.M.																		
LINER SIZE: _____ STROKE _____ MUD & CHEMICALS LBS. Added: _____ KIND _____														BOP Tested _____		DRILLER: _____	CONTRACTOR'S TIME _____	CO'S. TIME _____
BOP Tested _____														DRILLER: _____		CONTRACTOR'S TIME _____	CO'S. TIME _____	
DRILLER: _____														CONTRACTOR'S TIME _____		CO'S. TIME _____		
TIME	MUD RECORD				BIT WT. M	TABLE RPM	PUMP		DEVIATION		START	STOP	HRS.	WORK RECORD	8-4 TOUR			
	WT.	VISC.	W.L.	F.C.			SPM	PRESS	DEPTH	DEG.								
10 A.M.														JUNE 7/65 TRAVEL FROM EDMONTON TO WHITE HORSE. WM. LANGERAK 8 HRS. RICHARD LACROIX 8 HRS. JOHN WIRTH 8 HRS. LEONARD RYKS 8 HRS.				
NOON																		
2 P.M.																		
4 P.M.																		
LINER SIZE: _____ STROKE _____ MUD & CHEMICALS LBS. Added: _____ KIND _____														BOP Tested _____		DRILLER: _____	CONTRACTOR'S TIME _____	CO'S. TIME _____
BOP Tested _____														DRILLER: _____		CONTRACTOR'S TIME _____	CO'S. TIME _____	
DRILLER: _____														CONTRACTOR'S TIME _____		CO'S. TIME _____		
TIME	MUD RECORD				BIT WT. M	TABLE RPM	PUMP		DEVIATION		START	STOP	HRS.	WORK RECORD	4-12 TOUR			
	WT.	VISC.	W.L.	F.C.			SPM	PRESS	DEPTH	DEG.								
6 P.M.														FINISH PREPARE DERRICK + DRAWWORKS. TEAR OUT RIG + WASH DERRICK				
8 P.M.																		
10 P.M.																		
12 P.M.																		
LINER SIZE: _____ STROKE _____ MUD & CHEMICALS LBS. Added: _____ KIND _____ LBS. _____ ON HAND _____														BOP Tested _____		DRILLER: <u>A. Babcock</u>	CONTRACTOR'S TIME _____	CO'S. TIME _____
BOP Tested _____														DRILLER: _____		CONTRACTOR'S TIME _____	CO'S. TIME _____	
DRILLER: _____														CONTRACTOR'S TIME _____		CO'S. TIME _____		

CASING TESTED TO: _____ PSI. MIN. FORMATION TESTED _____ PSI. MIN. EQUIPMENT FAILURES _____

RIG FUEL CONSUMPTION _____ GALS BOILER FUEL CONSUMPTION _____ GALS WIRELINE TON MILE _____ TOOL PUSHER: JL

PETROBRAS OIL OF CANADA, LTD.

DATE JUNE 8/65

No. _____ DAILY TIME SHEET 3-75

Well BIRCH 4TB-34

LOGGING REPORT

CONTRACTOR PARKER DRILL CO. RIG No. 10

Approved _____ Date JUNE 8/65

WORK RECORD

12 - 8 TOUR

~~FLOOR, INSTALL TUBING~~
~~DOWN DERRICK~~

21 JTS DRILL PIPE
LOOK IN STILL TUBING
DOWN DERRICK
BIT

DRILLED
REAMED
CORED

5413 T.D.

Tour 1	Midnite to 8 A.M.	Hrs.
DRILLER	F. KREMP	12
DERRICK	P. POBELICH	12
MOTORMAN	L. HOOLHAN	12
FLOORMAN	W. RYKS	12
FLOORMAN	V. HACHEY	12
FIREMAN		

TALLY BIT RECORD

No.	LENGTH	BIT No.
STANDS		SIZE
SINGLE		MAKE
D.C.'s		TYPE
		SERIAL
		JET SIZE
		FROM
		TO
KELLY IN		FOOTAGE
TOTAL		HRS.
RAT HOLE TOP		COND.

REMARKS AND INJURIES:

Delayed @ 8:00 AM. 6/8/65
[Signature]

CONTRACTOR'S TIME

CO's. TIME

RAT HOLE TOP

COND.

8 - 4 TOUR

TRAVEL FROM EDMONTON
HORSE.
LANGERAK 8 HRS.
LACROIX 8 HRS.
WIRTH 8 HRS.
RYKS 8 HRS.

DRILLED
REAMED
CORED

Tour 2	8 A.M. to 4 P.M.	Hrs.
DRILLER	S. WATSON	12
DERRICK	EH TREGASKIS	12
MOTORMAN	JOE PAUL	12
FLOORMAN	E. SCHACHTER	12
FLOORMAN		
FIREMAN		

TALLY BIT RECORD

No.	LENGTH	BIT No.
STANDS		SIZE
SINGLE		MAKE
D.C.'s		TYPE
		SERIAL
		JET SIZE
		FROM
		TO
KELLY IN		FOOTAGE
TOTAL		HRS.
RAT HOLE TOP		COND.

REMARKS AND INJURIES:

TRAVEL FROM WHITE HORSE TO
EDMONTON
LANGERAK 8 HRS.
LACROIX 8 HRS.
WIRTH 8 HRS.
RYKS 8 HRS.

CONTRACTOR'S TIME

CO's. TIME

RAT HOLE TOP

COND.

4 - 12 TOUR

~~BY DERRICK + DRILLWORKS.~~
~~4 + WASH DERRICK~~

DRILLED
REAMED
CORED

5413 T.D.

TRAVEL TO DAWSON

Tour 3	4 P.M. to Midnite	Hrs.
DRILLER	G. BURKHUNST	12
DERRICK	W. RYKS	12
MOTORMAN	J. FREY	12
FLOORMAN	D. HEBNER	12
FLOORMAN	H. BROOKS	12
FIREMAN		

TALLY BIT RECORD

No.	LENGTH	BIT No.
STANDS		SIZE
SINGLE		MAKE
D.C.'s		TYPE
		SERIAL
		JET SIZE
		FROM
		TO
KELLY IN		FOOTAGE
TOTAL		HRS.
RAT HOLE TOP		COND.

REMARKS AND INJURIES:

CONTRACTOR'S TIME

CO's. TIME

RAT HOLE TOP

COND.

EQUIPMENT FAILURES

TIME LOST

TOOL PUSHER:

APPROVED:

CALGARY OFFICE

SOCONY MOBIL OIL OF CANADA, LTD.

DAILY DRILLING REPORT

FIELD or AREA: EAGLE PLANE WELL NAME & No. BIRCH YTB-34 CONTRACTOR PARKER DRILL

TIME	MUD RECORD				BIT WT. M	TABLE RPM	PUMP		DEVIATION		START	STOP	HRS.	WORK RECORD	TOUR				
	WT.	VISC.	W.L.	F.C.			SPM	PRESS	DEPTH	DEG.						No.			
2 A.M.										2200	815	8 1/4	W.O.C TEAR OUT & LAY DOWN BOPs. MOUSE HOLE, KELLY & SWIVEL RUN IN & FEEL PLUG #3 PLUG NOT IN POSITION	12-8					
4 A.M.											830	1/4	RIG UP DOWEL & RUN PLUG #4 PULL OUT W.O.C.						
6 A.M.										530	930	1							
8 A.M.										930	945	1/4							
	LINER SIZE: _____				STROKE _____				MUD & CHEMICALS		BOP Tested _____		DRILLER: _____		CONTRACTOR'S TIME _____		CO'S. TIME _____		
	LBS. Added		KIND										FELT PLUG #3 @ 830 AM PLUG NOT IN POSITION.						
													PLUG #4 550 - 650 55 SAA LAFARGE #1 CEMENT 14.4 - 14.8 # SLURRY DISPLACED W/ 7/2 Bbl DRILLING MUD.						
														DRILLER: _____		CONTRACTOR'S TIME _____		CO'S. TIME _____	
TIME	MUD RECORD				BIT WT. M	TABLE RPM	PUMP		DEVIATION		START	STOP	HRS.	WORK RECORD	TOUR				
	WT.	VISC.	W.L.	F.C.			SPM	PRESS	DEPTH	DEG.						No.			
10 A.M.													START MIXING 9:15 AM - 9:25 AM. DISPLACED 9:25 AM - 9:30 AM. PLUG DOWN @ 9:30 AM. 6/7/65	8-4					
NOON																			
2 P.M.																			
4 P.M.																			
	LINER SIZE: _____				STROKE _____				MUD & CHEMICALS		BOP Tested _____		DRILLER: _____		CONTRACTOR'S TIME _____		CO'S. TIME _____		
	LBS. Added		KIND										FELT PLUG #4 @ 430 P.M. PLUG NOT SET UP YET.						
														DRILLER: _____		CONTRACTOR'S TIME _____		CO'S. TIME _____	
TIME	MUD RECORD				BIT WT. M	TABLE RPM	PUMP		DEVIATION		START	STOP	HRS.	WORK RECORD	TOUR				
	WT.	VISC.	W.L.	F.C.			SPM	PRESS	DEPTH	DEG.						No.			
6 P.M.										1200	400	4 1/2	W.O.C DRAIN PUMPS & MUD LINES. RUN & FEEL PLUG #4 NOT SET UP. W.O.C TEAR OUT & CLEAN UP LINES. RUN IN & FEEL PLUG #4 @ 557	4-12					
8 P.M.										400	480								
10 P.M.										630	1130								
12 P.M.										1130	1200								
	LINER SIZE: _____				STROKE _____				MUD & CHEMICALS		BOP Tested _____		DRILLER: _____		CONTRACTOR'S TIME _____		CO'S. TIME _____		
	LBS. Added		KIND		LBS.		ON HAND						FELT PLUG #4 @ 557						
														DRILLER: _____		CONTRACTOR'S TIME _____		CO'S. TIME _____	

CASING TESTED TO: _____ PSI. MIN. FORMATION TESTED _____ PSI. MIN. EQUIPMENT FAILURES _____
RIG FUEL CONSUMPTION _____ GALS BOILER FUEL CONSUMPTION _____ GALS WIRELINE TON MILE _____ TOOL PUSHER: *[Signature]*

BIL OIL OF CANADA, LTD.

DATE JUNE 7/65

No. _____ DAILY TIME SHEET

LOGGING REPORT

No. _____

Well BIRCH 1TB-34

CONTRACTOR PARKER DRILL CO. RIG No. 10

Approved _____ Date JUNE 7/65

WORK RECORD 12-8 TOUR

DRILL OUT & LAY DOWN BOP's.
KELLY & SWIVEL
FEEL PLUG #3 PLUG
POSITION
DOWN & RUN PLUG #4

FROM	TO	FOOTAGE	HRS.	SIZE
		5413 T.D.		

TALLY		BIT RECORD	
No.	LENGTH	BIT No.	
STANDS		SIZE	
SINGLE		MAKE	
D.C.'s		TYPE	
		SERIAL	
		JET SIZE	
		FROM	
		TO	
		FOOTAGE	
		HRS.	
		COND.	

Tour 1	Midnite to 8 A.M.	Hrs.
DRILLER	F. KREMP	12
DERRICK	P. PAULICH	12
MOTORMAN	L. HOULAHAN	12
FLOORMAN	W. RYKS	12
FLOORMAN	V. HACKETT	12
FIREMAN		

REMARKS AND INJURIES:

#3 @ 8:30 AM PLUG NOT SET.

50 - 650 55 SHA LAFARGE
14.4 - 14.8 # SLURRY DISPLACED
1 DRILLING MUD.

CONTRACTOR'S TIME _____ CO's. TIME _____

11:25 AM - 9:25 AM, 8-4 TOUR
9:25 AM - 9:30 AM.
#4 @ 9:30 AM, 6/7/65

FROM	TO	FOOTAGE	HRS.	SIZE

TALLY		BIT RECORD	
No.	LENGTH	BIT No.	
STANDS		SIZE	
SINGLE		MAKE	
D.C.'s		TYPE	
		SERIAL	
		JET SIZE	
		FROM	
		TO	
		FOOTAGE	
		HRS.	
		COND.	

Tour 2	8 A.M. to 4 P.M.	Hrs.
DRILLER	S. WATSON	12
DERRICK	SH. TREACHER	12
MOTORMAN	JOE PAUL	12
FLOORMAN	E. SCHACKER	12
FLOORMAN		
FIREMAN		

REMARKS AND INJURIES:

#4 @ 4:30 P.M. PLUG NOT SET.

RAIN PUMPS & MUD LINES.
FEEL PLUG #4 NOT SET UP.
DRILL OUT & CLEAN UP LASSIE.
FEEL PLUG #4 @ 557'

FROM	TO	FOOTAGE	HRS.	SIZE
		5413 T.D.		

TALLY		BIT RECORD	
No.	LENGTH	BIT No.	
STANDS		SIZE	
SINGLE		MAKE	
D.C.'s		TYPE	
		SERIAL	
		JET SIZE	
		FROM	
		TO	
		FOOTAGE	
		HRS.	
		COND.	

Tour 3	4 P.M. to Midnite	Hrs.
DRILLER	G. BARNHURST	12
DERRICK	W. KINNS	12
MOTORMAN	J. FREY	12
FLOORMAN	D. HEBNER	12
FLOORMAN	A. BROOKS	12
FIREMAN		

REMARKS AND INJURIES:

out #4 @ 557'

CONTRACTOR'S TIME _____ CO's. TIME _____

EQUIPMENT FAILURES _____

TIME LOST _____

TOOL PUSHER: fluminal APPROVED: [Signature]

CALGARY OFFICE

SOCONY MOBIL OIL OF CANADA, LTD.

DAILY DRILLING REPORT

FIELD or AREA: ENGLE PLAIN WELL NAME & No. BIRCH-1TR-34 CONTRACTOR PARKER DRILL

TIME	MUD RECORD				BIT WT. M	TABLE RPM	PUMP		DEVIATION		START	STOP	HRS.	WORK RECORD	12-8 TOUR
	WT.	VISC.	W.L.	F.C.			SPM	PRESS	DEPTH	DEG.					
2 A.M.											1200	1245	3/4	TRIP OUT W.O.C. TRIP IN TO FEEL PLUG #1 @ 4510 LAY DOWN 27 JTS DRILL PIPE CIRCULATE HOLE MIX CEMENT & DISPLACE PLUG. FELT PLUG #1 @ 4510' PLUG #2 4300-4510 90 SAK LAFARGE CEMENT 13.8-14.4 lb SLURRY CIRCULATED FROM 10:25 AM. TO 10:55 AM. MIXED CEMENT 11:25 TO 11:55 AM. DISPLACED W/ 56 Bbl DRILL MUD & 2 PLUG DOWN @ 12:10 PM. 6/6/65	
4 A.M.											1245	845	8		
6 A.M.											845	945	1		
8 A.M.											945	1015	1/2		
											1015	1100	3/4		
											1100	1200	1		
LINER SIZE: _____ STROKE _____ MUD & CHEMICALS LBS. Added: _____ KIND _____											BOP Tested				
10 A.M.														DRILLER: _____ CONTRACTOR'S TIME _____ CO'S TIME _____ 8-4 TOUR	
NOON															
2 P.M.															
4 P.M.															
LINER SIZE: _____ STROKE _____ MUD & CHEMICALS LBS. Added: _____ KIND _____											BOP Tested				
6 P.M.											1200	730	7/2	W.O.C. TRIP OUT TRIP IN TO FEEL PLUG #2 LAY DOWN 123 JTS OF 4 1/2 DRILL PIPE RUN IN TO 650 & RIG TO CEMENT MIX & DISPLACE CEMENT W.O.C. TRIP OUT BOP. FELT PLUG #2 @ 4260 @ 8:30 PM. PLUG #3 550-650 40 SAK LAFARGE CEMENT 13.7-13.9 lb SLURRY DISPLAC 2 Bbl WATER & 5 1/2 Bbl DRILL MUD START MIXING 11:00 PM. - 11:00 PM. PLUG DOWN @ 11:5 PM. 6/6/65	
8 P.M.											730	830	1		
10 P.M.											830	1030	2		
12 P.M.											1030	1100	1/2		
											1100	1115	1/4		
											1115	1200	3/4		
LINER SIZE: _____ STROKE _____ MUD & CHEMICALS LBS. Added: _____ KIND _____ LBS. ON HAND _____											BOP Tested				

CASING TESTED TO: _____ PSI. MIN. FORMATION TESTED _____ PSI. MIN. EQUIPMENT FAILURES _____
 RIG FUEL CONSUMPTION _____ GALS BOILER FUEL CONSUMPTION _____ GALS WIRELINE TON MILE _____ TOOL PUSHER: JA

P

OBIL OIL OF CANADA, LTD.

DATE 6/65

No. _____ DAILY TIME SHEET

ILLING REPORT

Well BIRCH YTB-24

CONTRACTOR PARKMAN DRILL CO

No. _____

RIG No. 10

Approved _____

Date June 6/65

WORK RECORD

12-8 TOUR

FROM TO FOOTAGE HRS. SIZE

Tour 1 Midnite to 8 A.M. Hrs.

TO FEEL PLUG #1 @ 4510
27 JTS DRILL PIPE
HOLE
T & DISPLACE PLUG.

DRILLED
REAMED
CORED

5412 T.D.

DRILLER F. KRISMA 12
DERRICK P. PAUGLICH 12
MOTORMAN L. HOULAHAN 12
FLOORMAN W. RYKS 12
FLOORMAN W. HACHEL 12
FIREMAN

TALLY

BIT RECORD

No. LENGTH BIT No.
STANDS SIZE
SINGLE MAKE
D.C.'s TYPE
SERIAL
JET SIZE
FROM
TO
FOOTAGE
KELLY IN
FOOTAGE
RAT HOLE TOP
COND.

REMARKS AND INJURIES:

4300-4510 90 SAK LAFARGE #1
13.8-14.4 lb SLURRY
FROM 10:25 AM. TO 10:55 AM.
MENT 11:25 TO 11:55 AM.
W/ 56 Bbl DRILL MUD & 2 Bbl WATER
CONTRACTOR'S TIME 12.10 P.M. 6/65

8-4 TOUR

FROM TO FOOTAGE HRS. SIZE

Tour 2 8 A.M. to 4 P.M. Hrs.

DRILLED
REAMED
CORED

DRILLER S. WATSON 12
DERRICK B.H. TROGASKS 12
MOTORMAN J. PAUL 12
FLOORMAN E. SCHACKER 12
FLOORMAN
FIREMAN

TALLY

BIT RECORD

No. LENGTH BIT No.
STANDS SIZE
SINGLE MAKE
D.C.'s TYPE
SERIAL
JET SIZE
FROM
TO
FOOTAGE
KELLY IN
FOOTAGE
TOTAL
HRS.
RAT HOLE TOP
COND.

REMARKS AND INJURIES:

CONTRACTOR'S TIME

CO'S. TIME

4-12 TOUR

FROM TO FOOTAGE HRS. SIZE

Tour 3 4 P.M. to Midnite Hrs.

POUT
TO FEEL PLUG #2
123 JTS OF 4 1/2 DRILL PIPE
0 650 & RIG TO CELENT
ACE CELENT
TANK OUT B.O.P.
#2 @ 4260 @ 8:30 P.M.
50-650 40 SAK LAFARGE #1
-13.9 lb SLURRY DISPLACED W/
FR & 5 1/2 Bbl DRILL MUD
ING 11:00 P.M. - 11:00 P.M.
WN @ 11:15 P.M. 6/65

DRILLED
REAMED
CORED

5413 T.D.

DRILLER G. BURHUST 12
DERRICK W. RYKS 12
MOTORMAN J. FRYE 12
FLOORMAN D. HEINER 12
FLOORMAN H. BROOKS 12
FIREMAN

TALLY

BIT RECORD

No. LENGTH BIT No.
STANDS SIZE
SINGLE MAKE
D.C.'s TYPE
SERIAL
JET SIZE
FROM
TO
FOOTAGE
KELLY IN
FOOTAGE
TOTAL
HRS.
RAT HOLE TOP
COND.

REMARKS AND INJURIES:

MIN. EQUIPMENT FAILURES

TIME LOST

TON MILE TOOL PUSHER:

APPROVED:

CALGARY OFFICE

SOCONY MOBIL OIL OF CANADA, LTD.

DAILY DRILLING REPORT

FIELD or AREA: EAGLE PLAINS WELL NAME & No. BIRCH YTB-34 CONTRACTOR PARKER DRILLING

TIME	MUD RECORD				BIT WT. M	TABLE		PUMP		DEVIATION		START	STOP	HRS.	WORK RECORD	12-8 TOUR
	WT.	VISC.	W.L.	F.C.		RPM	SPM	PRESS	DEPTH	DEG.						
2 A.M.												12 ⁰⁰	12 ⁰⁰	12	CIRC WAIT ON ORDERS	
4 A.M.	94			90												
6 A.M.																
8 A.M.																
LINER SIZE: _____ STROKE _____ MUD & CHEMICALS LBS. Added: _____ KIND: _____																
BOP Tested <input checked="" type="checkbox"/> DRILLER: <u>F. Kump</u> CONTRACTOR'S TIME _____ CO'S. TIME _____																
TIME	MUD RECORD				BIT WT. M	TABLE		PUMP		DEVIATION		START	STOP	HRS.	WORK RECORD	8-4 TOUR
	WT.	VISC.	W.L.	F.C.		RPM	SPM	PRESS	DEPTH	DEG.						
10 A.M.																
NOON	94			89												
2 P.M.																
4 P.M.																
LINER SIZE: _____ STROKE _____ MUD & CHEMICALS LBS. Added: _____ KIND: _____																
BOP Tested _____ DRILLER: _____ CONTRACTOR'S TIME _____ CO'S. TIME _____																
TIME	MUD RECORD				BIT WT. M	TABLE		PUMP		DEVIATION		START	STOP	HRS.	WORK RECORD	4-12 TOUR
	WT.	VISC.	W.L.	F.C.		RPM	SPM	PRESS	DEPTH	DEG.						
6 P.M.												1200	515	5 1/4	CIRC + WAITING ON ORDERS.	
8 P.M.												515	615	1	TRIP OUT TO COLLARS.	
10 P.M.												615	800	1 3/4	LAY DOWN 2" DRILL COLLARS.	
12 P.M.												800	130	1 1/2	TRIP TO APPROX END PIPE + RIG UP	
LINER SIZE: _____ STROKE _____ MUD & CHEMICALS LBS. Added: _____ KIND: _____ LBS. ON HAND: _____																
BOP Tested _____ DRILLER: _____ CONTRACTOR'S TIME _____ CO'S. TIME _____																

PLUG #1 4300 TO 5413 375 SKS. TTB #1
 2 BAGS CEMENT. 13.8 - 14.4 # SLURRY
 CIRC 9:35 - 10:05 MIXING 10:20 PM - 11:20 PM
 DISPLACED W/ 58 BBL DRILL ITD + 2 BBL
 WATER 11:20 PM TO 11:45 PM
 PLUG DOWN @ 11:45 PM 6/5/65

5 1/4 CIRC + WAITING ON ORDERS.
 TRIP OUT TO COLLARS.
 LAY DOWN 2" DRILL COLLARS.
 TRIP TO APPROX END PIPE + RIG UP
 20 SANGLES
 CIRC. + RIG UP TO CEMENT
 MIX 360 SKS CEMENT.
 DISPLACED PUMP #1
 TRIP OUT.

CASING TESTED TO: _____ PSI. MIN. _____ FORMATION TESTED _____ PSI. MIN. _____ EQUIPMENT FAILURES _____
 RIG FUEL CONSUMPTION _____ GALS _____ BOILER FUEL CONSUMPTION _____ GALS _____ WIRELINE TON MILE _____ TOOL PUSHER: 3/10

OBIL OIL OF CANADA, LTD.

DATE June 5/65

No. 65 DAILY TIME SHEET

3 35

DRILLING REPORT

No. 65

Well BIRCH YTB-34

34 CONTRACTOR PARKER DRILLING

RIG No. 10

Approved _____

Date 6/5/65

WORK RECORD

12 - 8 TOUR

FROM _____ TO _____ FOOTAGE HRS. SIZE

Tour 1 Midnite to 8 A.M. Hrs.

ON ORDERS

DRILLED 5413 TO
REAMED
CORED

DRILLER F BRENN 12
DERRICK P PAULICH 12
MOTORMAN L HOUMANN 12
FLOORMAN W RYNS 12
FLOORMAN V HICKEY 12
FIREMAN

TALLY BIT RECORD

No.	LENGTH	BIT No.
51	STANDS 4711.90	SIZE
2	SINGLE 6134	MAKE
21	D.C.'s 60186	TYPE
	398	SERIAL
		JET SIZE
		FROM
		TO
	KELLY IN 3392	FOOTAGE
	TOTAL 5413	HRS.
	RAT HOLE TOP	COND.

REMARKS AND INJURIES:

CONTRACTOR'S TIME

CO's. TIME

8 - 4 TOUR

FROM _____ TO _____ FOOTAGE HRS. SIZE

Tour 2 8 A.M. to 4 P.M. Hrs.

TO 5413 375 SK. THERM
MENT. 13.8 - 14.4 # SLURRY
0:05 MIXING 10:20 PM - 11:20 PM
1/58 B61 DRILL ITUD 2 B61
PM TO 11:45 PM
11 @ 11:45 PM 6/5/65

DRILLED
REAMED
CORED

DRILLER S WATSON 12
DERRICK EH TREGASKA 12
MOTORMAN T PAUL 12
FLOORMAN E SCHAEFER 12
FIREMAN

TALLY BIT RECORD

No.	LENGTH	BIT No.
	STANDS	SIZE
	SINGLE	MAKE
	D.C.'s	TYPE
		SERIAL
		JET SIZE
		FROM
		TO
	KELLY IN	FOOTAGE
	TOTAL	HRS.
	RAT HOLE TOP	COND.

REMARKS AND INJURIES:

CONTRACTOR'S TIME

CO's. TIME

4 - 12 TOUR

FROM _____ TO _____ FOOTAGE HRS. SIZE

Tour 3 4 P.M. to Midnite Hrs.

HITTING ON ORDERS.
TO COLLARS.
21 DR. POLEARS.
4065 END PIPE + P.C. UP
1915
19 UP TO CEMENT
AS CEMENT.
DRILL
UP OUT.

DRILLED 5413 T.D.
REAMED
CORED

DRILLER C. BURMAN 12
DERRICK W. KINGS 12
MOTORMAN J. FREN 12
FLOORMAN D. TEBNER 12
FLOORMAN 11 BROOKS 12
FIREMAN

TALLY BIT RECORD

No.	LENGTH	BIT No.
51	STANDS 4711.90	SIZE
2	SINGLE 6134	MAKE
	D.C.'s 60186	TYPE
		SERIAL
		JET SIZE
		FROM
		TO
	KELLY IN 2342	FOOTAGE
	TOTAL 5413	HRS.
	RAT HOLE TOP	COND.

REMARKS AND INJURIES:

CONTRACTOR'S TIME

CO's. TIME

MIN. EQUIPMENT FAILURES TIME LOST

PER TON MILE

TOOL PUSHER: [Signature]

APPROVED: [Signature]

CALGARY OFFICE

SOCONY MOBIL OIL OF CANADA, LTD.

DAILY DRILLING REPORT

FIELD or AREA: EAGLE PLAINS WELL NAME & No. BIRCH YIB-34 CONTRACTOR PARKER DRILLING

TIME	MUD RECORD				BIT WT. M	TABLE RPM	PUMP		DEVIATION		START	STOP	HRS.	WORK RECORD	12-8 TOUR
	WT.	VISC.	W.L.	F.C.			SPM	PRESS	DEPTH	DEG.					
2 A.M.											12:00	1:00	1	HAT DOWN SQUARE COLLAR & 7 DRINK COLLARS	
4 A.M.											1:00	2:15	1 1/4	PICK UP & MAKE UP PARKER	
6 A.M.											2:15	3:30	1 1/4	TRIP IN W/ PARKER	
8 A.M.											3:30	4:00	1/2	HEAD UP TEST & SET PARKER	
											4:00	9:00	5	TESTING	
											9:00	10:30	1 1/4	TRIP OUT W/ PARKER	
											10:30	11:00	1/2	BREAK & HAT DOWN TEST TOOLS	
											11:00	12:00	1	WASH OUT CUTTERS	

LINER SIZE: _____ STROKE _____
 MUD & CHEMICALS _____
 LBS. Added: _____ KIND _____

DST. #9 INTERVAL TESTED 5:05 TO 5:43

BOP Tested _____ DRILLER: J. Kromm CONTRACTOR'S TIME _____ CO'S. TIME _____

TIME	MUD RECORD				BIT WT. M	TABLE RPM	PUMP		DEVIATION		START	STOP	HRS.	WORK RECORD	8-4 TOUR
	WT.	VISC.	W.L.	F.C.			SPM	PRESS	DEPTH	DEG.					
10 A.M.															
NOON															
2 P.M.															
4 P.M.															

LINER SIZE: _____ STROKE _____
 MUD & CHEMICALS _____
 LBS. Added: _____ KIND _____

BOP Tested _____ DRILLER: _____ CONTRACTOR'S TIME _____ CO'S. TIME _____

TIME	MUD RECORD				BIT WT. M	TABLE RPM	PUMP		DEVIATION		START	STOP	HRS.	WORK RECORD	4-12 TOUR
	WT.	VISC.	W.L.	F.C.			SPM	PRESS	DEPTH	DEG.					
6 P.M.											12:00	6:15	6 3/4	WAITING ON ORDERS	
8 P.M.							60	950			6:15	8:00	1 1/4	TRIP IN W/ BIT	
10 P.M.							60	750			8:00				
12 P.M.							60	950							

LINER SIZE: 6 1/2 STROKE 15"
 MUD & CHEMICALS _____
 LBS. Added: _____ KIND _____ LBS. ON HAND _____

BOP Tested _____ DRILLER: G. J. ... CONTRACTOR'S TIME _____ CO'S. TIME _____

CASING TESTED TO: _____ PSI. MIN. _____ FORMATION TESTED _____ PSI. MIN. _____ EQUIPMENT FAILURES _____
 RIG FUEL CONSUMPTION _____ GALS _____ BOILER FUEL CONSUMPTION _____ GALS _____ WIRELINE TON MILE _____ TOOL PUSHER: _____

OBIL OIL OF CANADA, LTD.

DATE June 1/65

No. 13 DAILY TIME SHEET

ILLING REPORT

No. 63

Well BIRCH 478-3

34 CONTRACTOR PARKER DRILLING

RIG No. 10

Approved

Date 4/65

WORK RECORD

12-8 TOUR

FROM TO FOOTAGE HRS. SIZE

Tour 1 Midnite to 8 A.M. Hrs.

MAKE COLLAR + 7 DRINK COLLARS

DRILLED 5413 TD.

DRILLER F KREMP 12

WAS UP PARKER

REAMED

DERRICK P PRUECKEN 12

PARKER

CORED

MOTORMAN L HOESMANN 13

7-4 SET PARKER

TALLY BIT RECORD

FLOORMAN W RYMS 12

PARKER

No. LENGTH BIT No.

FLOORMAN V HARMEN 12

DOWN TEST TOOLS

51 STANDS 4711.90

SIZE

FIREMAN

ERS

2 SINGLE 61.34

MAKE

NEURAL TESTED 5105 TO 5413

21 D.C.'s 60.86

TYPE

REMARKS AND INJURIES:

SERIAL

JET SIZE

FROM

TO

FOOTAGE

HRS.

COND.

KELLY IN

FOOTAGE

TOTAL 37.90

HRS.

RAT HOLE TOP 5413

COND.

CONTRACTOR'S TIME

CO'S TIME

8-4 TOUR

FROM TO FOOTAGE HRS. SIZE

Tour 2 8 A.M. to 4 P.M. Hrs.

DRILLED

DRILLER S WATSON 12 MC

REAMED

DERRICK EN TREGASKIS 12 MC

CORED

MOTORMAN T PAUL 12 CA

TALLY BIT RECORD

FLOORMAN E SEHNACHER 12 MC

No. LENGTH BIT No.

STANDS

SIZE

SINGLE

MAKE

D.C.'s

TYPE

SERIAL

JET SIZE

FROM

TO

FOOTAGE

HRS.

COND.

KELLY IN

FOOTAGE

TOTAL

HRS.

RAT HOLE TOP

COND.

CONTRACTOR'S TIME

CO'S TIME

4-12 TOUR

FROM TO FOOTAGE HRS. SIZE

Tour 3 4 P.M. to Midnite Hrs.

DRILLED

5413 TD.

DRILLER G. DARRHARD 12

REAMED

DERRICK W. KINGS 12

CORED

MOTORMAN J. FRY 12

TALLY BIT RECORD

FLOORMAN D. NEBER 12

No. LENGTH BIT No.

STANDS

SIZE

SINGLE

MAKE

D.C.'s

TYPE

SERIAL

JET SIZE

FROM

TO

FOOTAGE

HRS.

COND.

KELLY IN

FOOTAGE

TOTAL

HRS.

RAT HOLE TOP

COND.

CONTRACTOR'S TIME

CO'S TIME

REMARKS AND INJURIES:

MIN.

EQUIPMENT FAILURES

TIME LOST

TON MILE

TOOL PUSHER:

APPROVED:

CALGARY OFFICE

SOCONY MOBIL OIL OF CANADA, LTD.

DAILY DRILLING REPORT

FIELD or AREA: ENGLE PLAINS WELL NAME & No. BIRCH YTB-34 CONTRACTOR PHILLIPS DRILLING

TIME	MUD RECORD				BIT WT. M	TABLE RPM	PUMP		DEVIATION		START	STOP	HRS.	WORK RECORD	12-8 TOUR		
	WT.	VISC.	W.L.	F.C.			SPM	PRESS	DEPTH	DEG.							
2 A.M.	2382						60	950			12:00	12:00	12	CIRC. WHIT ON SCHLUMBERGER			
4 A.M.							✓	✓									
6 A.M.	9488	5.1	32				✓	✓									
8 A.M.	9489						✓	✓									
LINER SIZE: _____ STROKE _____																	
MUD & CHEMICALS																	
LBS. Added: <u>500</u> KIND: <u>Gel</u>																	
LBS. Added: <u>250</u> KIND: <u>SALT Gel</u>																	
BOP Tested <input checked="" type="checkbox"/>												DRILLER: <u>[Signature]</u>		CONTRACTOR'S TIME _____		CO'S. TIME _____	

TIME	MUD RECORD				BIT WT. M	TABLE RPM	PUMP		DEVIATION		START	STOP	HRS.	WORK RECORD	8-4 TOUR		
	WT.	VISC.	W.L.	F.C.			SPM	PRESS	DEPTH	DEG.							
10 A.M.							60	950									
NOON	9494						✓	✓									
2 P.M.																	
4 P.M.																	
LINER SIZE: _____ STROKE _____																	
MUD & CHEMICALS																	
LBS. Added: _____ KIND: _____																	
BOP Tested _____												DRILLER: _____		CONTRACTOR'S TIME _____		CO'S. TIME _____	

TIME	MUD RECORD				BIT WT. M	TABLE RPM	PUMP		DEVIATION		START	STOP	HRS.	WORK RECORD	4-12 TOUR		
	WT.	VISC.	W.L.	F.C.			SPM	PRESS	DEPTH	DEG.							
6 P.M.										12:00	1:45	1 3/4	TRIP OUT TO LOG + START PIPE.				
8 P.M.										1:45	2:30	3/4	Rig up SCHLUMBERGER + Logging.				
10 P.M.										2:30	12:00	1 1/2	WAITING ON ORDERS				
12 P.M.																	
LINER SIZE: _____ STROKE _____																	
MUD & CHEMICALS																	
LBS. Added: _____ KIND: _____ LBS. ON HAND: _____																	
BOP Tested _____												DRILLER: _____		CONTRACTOR'S TIME _____		CO'S. TIME _____	

CASING TESTED TO: _____ PSI. MIN. _____ FORMATION TESTED _____ PSI. MIN. _____ EQUIPMENT FAILURES _____

RIG FUEL CONSUMPTION _____ GALS. BOILER FUEL CONSUMPTION _____ GALS. WIRELINE TON MILE _____ TOOL PUSHER: [Signature]

MOBIL OIL OF CANADA, LTD.

DATE *June 3/65*

No. *62* DAILY TIME SHEET

DRILLING REPORT

No. *62*

Well *BIRCH YTB 34*

34 CONTRACTOR *PARKER DRILLING*

RIG No. *10*

Approved _____ Date *3/6/65*

WORK RECORD 12 - 8 TOUR

FROM TO FOOTAGE HRS. SIZE

Tour 1 Midnite to 8 A.M. Hrs.

W SCHLUMBERGER

DRILLED *5413 T.D.*
REAMED
CORED

DRILLER *F FREMP 12*
DERRICK *D PAUERICH 12*
MOTORMAN *L MOUNTAIN 12*
FLOORMAN *W KAYS 12*
FLOORMAN *V HACHEY 12*
FIREMAN

TALLY

BIT RECORD

No. _____ LENGTH _____ BIT No. *78*
STANDS *4527.23* SIZE *8 3/8*
SINGLE _____ MAKE *SEC*
D.C.'s *5.14.11* TYPE *11-7*
5.20 SERIAL *746715*
JET SIZE *60#*
FROM *5365*
TO *5413*
KELLY IN *5546* FOOTAGE *48*
TOTAL *5413* HRS. *4 1/2*
RAT HOLE TOP _____ COND. *2.16*

REMARKS AND INJURIES:

CONTRACTOR'S TIME

CO's TIME

8 - 4 TOUR

FROM TO FOOTAGE HRS. SIZE

Tour 2 8 A.M. to 4 P.M. Hrs.

DRILLED
REAMED
CORED

DRILLER *S WATSON 12 HC*
DERRICK *FH TRIGSKIS 12 AL*
MOTORMAN *PAUL 12 CA*
FLOORMAN *F SCHACH 12 MELH*
FLOORMAN
FIREMAN

TALLY

BIT RECORD

No. _____ LENGTH _____ BIT No. _____
STANDS _____ SIZE _____
SINGLE _____ MAKE _____
D.C.'s _____ TYPE _____
SERIAL _____
JET SIZE _____
FROM _____
TO _____
KELLY IN _____ FOOTAGE _____
TOTAL _____ HRS. _____
RAT HOLE TOP _____ COND. _____

REMARKS AND INJURIES:

CONTRACTOR'S TIME

CO's TIME

4 - 12 TOUR

FROM TO FOOTAGE HRS. SIZE

Tour 3 4 P.M. to Midnite Hrs.

*To Log + Stamp Pipe.
Schlumberger + Logging
Orders*

DRILLED *5413 T.D.*
REAMED
CORED

DRILLER *G BARTON 12*
DERRICK *LIVINIA 12*
MOTORMAN *J FREY 12*
FLOORMAN *D. HEGBER 12*
FLOORMAN *H BRODITS 12*
FIREMAN

TALLY

BIT RECORD

No. _____ LENGTH _____ BIT No. _____
STANDS _____ SIZE _____
SINGLE _____ MAKE _____
D.C.'s _____ TYPE _____
SERIAL _____
JET SIZE _____
FROM _____
TO _____
KELLY IN _____ FOOTAGE _____
TOTAL _____ HRS. _____
RAT HOLE TOP _____ COND. _____

REMARKS AND INJURIES:

CONTRACTOR'S TIME

CO's TIME

EQUIPMENT FAILURES

TIME LOST

LINE TON MILE

TOOL PUSHER: *AS*

APPROVED: *[Signature]*

CALGARY OFFICE

SOCONY MOBIL OIL OF CANADA, LTD.

DAILY DRILLING REPORT

FIELD or AREA: EGGLE PLAINS WELL NAM. & No. BIRCH YTB-34 CONTRACTOR PARKER DRILLING INC

TIME	MUD RECORD				BIT WT. M	TABLE RPM	PUMP		DEVIATION		START	STOP	HRS.	WORK RECORD	12-8 TOUR
	WT.	VISC.	W.L.	F.C.			SPM	PRESS	DEPTH	DEG.					
2 A.M.	9373	52	1/2	50	52	60	950			1200	1215	14	RIG SERVICE - 1/2 PIPE PANNIS		
4 A.M.	9370									800	1000	7 3/4	DRILL 8 3/8 HOLE		
6 A.M.	9368									1000	1145	4 1/4	TRIP OUT & RUN COLLARS IN		
8 A.M.	9376	50	1/2	55						1045	1130	4 1/4	SKID & CUT 60' DRILL LINE		
										1130	1145	4	FINISH TRIP IN		
										1145	1200	4	BREAK CIRC & CLEAN TO BOTTOMS		
													DRILL 8 3/8 HOLE		

LINER SIZE: _____ STROKE _____
 MUD & CHEMICALS
 LBS. Added: 300 Gel, 150 SALT Gel, 100 CMC-75, 100 FelTex, 50 CAUSTIC
 BOP Tested: DRILLER: Krupp CONTRACTOR'S TIME _____ CO'S TIME _____

TIME	MUD RECORD				BIT WT. M	TABLE RPM	PUMP		DEVIATION		START	STOP	HRS.	WORK RECORD	8-4 TOUR
	WT.	VISC.	W.L.	F.C.			SPM	PRESS	DEPTH	DEG.					
10 A.M.	Trip														
NOON															
2 P.M.	9368	54	1/2	50	52	60	950								
4 P.M.	9372														

LINER SIZE: 6 1/2 STROKE: 5
 MUD & CHEMICALS
 LBS. Added: _____ KIND _____
 BOP Tested: _____ DRILLER: _____ CONTRACTOR'S TIME _____ CO'S TIME _____

TIME	MUD RECORD				BIT WT. M	TABLE RPM	PUMP		DEVIATION		START	STOP	HRS.	WORK RECORD	4-12 TOUR
	WT.	VISC.	W.L.	F.C.			SPM	PRESS	DEPTH	DEG.					
6 P.M.	9363	30	1/2	42			52	800		1200	1215	14	RIG SERVICE & CLOSE RIG UP.		
8 P.M.	9363						52	800		1215	1240	4 1/4	DRILL 8 3/8 HOLE		
10 P.M.	9363									1240	1200	4 1/2	CIRC & COND HOLE & WAIT CEMENT		
12 P.M.	9381	50	3/2										DEHLUMBERER.		

LINER SIZE: 6 7/8 STROKE: 5"
 MUD & CHEMICALS
 LBS. Added: 1400 GEL, 100 CMC, 100 CAUSTIC, 100 JANI GEL, 150 SOLTEX, 100 PENJEX
 ON HAND _____
 BOP Tested: _____ DRILLER: Barkind CONTRACTOR'S TIME _____ CO'S TIME _____

CASING TESTED TO: _____ PSI. MIN. FORMATION TESTED: _____ PSI. MIN. EQUIPMENT FAILURES: _____
 RIG FUEL CONSUMPTION: _____ GALS BOILER FUEL CONSUMPTION: _____ GALS WIRELINE TON MILE: _____ TOOL PUSHER: 3/8

OBIL OIL OF CANADA, LTD.

DATE June 2, 65

No. 61 DAILY TIME SHEET

DRILLING REPORT

No. 61

Well BIRCH YTB-34

CONTRACTOR PARKER DRILLING

RIG No. 10

Approved

Date 2/6/65

WORK RECORD

12 - 8 TOUR

FROM TO FOOTAGE HRS. SIZE

Tour 1 Midnite to 8 A.M. Hrs.

✓ 4 1/2 PIPE THROUS

DRILLED 5318 5366 48 8 8 3/4
REAMED
CORED

DRILLER F. F. FIIP 12
DERRICK P. P. FRIEDRICH 12
MOTORMAN P. P. FRIEDRICH 12
FLOORMAN L. H. HAN 12
FLOORMAN W. W. RYMS 12
FIREMAN V. V. HACHEY 12

✓ 60' DRILL LINE

TALLY

BIT RECORD

No. LENGTH
STANDS 4435.10
SINGLE
D.C.'s 41.31
844.11
5.24

BIT No. 77 78
SIZE 8 3/4 8 3/4
MAKE SEC SEC
TYPE H-7 H-7
SERIAL 762083 746718
JET SIZE
FROM 5291 5365
TO 5365 5366
FOOTAGE 89 1
HRS. 15 14
COND. 3-4-1 2-6-6

KELLY IN 20.23
TOTAL 5366
RAT HOLE TOP

REMARKS AND INJURIES:

CONTRACTOR'S TIME

CO's. TIME

8 - 4 TOUR

FROM TO FOOTAGE HRS. SIZE

Tour 2 8 A.M. to 4 P.M. Hrs.

DRILLED
REAMED
CORED

DRILLER S. WATSON 12 HC
DERRICK S. H. TREGASKIS 12 AC
MOTORMAN T. PAUL 12 CA
FLOORMAN F. SCHICKER 12 MECH
FIREMAN

TALLY

BIT RECORD

No. LENGTH
STANDS
SINGLE
D.C.'s

BIT No.
SIZE
MAKE
TYPE
SERIAL
JET SIZE
FROM
TO
FOOTAGE
HRS.
COND.

KELLY IN
TOTAL
RAT HOLE TOP

REMARKS AND INJURIES:

CONTRACTOR'S TIME

CO's. TIME

4 - 12 TOUR

FROM TO FOOTAGE HRS. SIZE

Tour 3 4 P.M. to Midnite Hrs.

+ COORD. HYDRA. HOLES
& HOLES & WHIT OIL
BENGER.

DRILLED 5306 5413 47 4 1/4 8 3/4
REAMED
CORED

DRILLER T. L. LIND 12
DERRICK T. L. LIND 12
MOTORMAN T. L. LIND 12
FLOORMAN T. L. LIND 12
FLOORMAN T. L. LIND 12
FIREMAN T. L. LIND 12

TALLY

BIT RECORD

No. LENGTH
STANDS 5220
SINGLE
D.C.'s 544.11
5.10

BIT No. 78
SIZE 8 3/4
MAKE SEC
TYPE H-7
SERIAL 746718
JET SIZE
FROM 5305
TO 5413
FOOTAGE 48
HRS. 4 1/4
COND.

KELLY IN 25.46
TOTAL 5413
RAT HOLE TOP

REMARKS AND INJURIES:

CONTRACTOR'S TIME

CO's. TIME

EQUIPMENT FAILURES TIME LOST

TOOL PUSHER: [Signature]

APPROVED: [Signature]

CALGARY OFFICE

SOCONY MOBIL OIL OF CANADA, LTD.

DAILY DRILLING REPORT

FIELD or AREA: EAGLE RUNS WELL NAME & No. BIRCH YTB-34 CONTRACTOR PARKER DRILLING

TIME	MUD RECORD				BIT WT. M	TABLE RPM	PUMP		DEVIATION		START	STOP	HRS.	WORK RECORD	12-8 TOUR					
	WT.	VISC.	W.L.	F.C.			SPM	PRESS	DEPTH	DEG.										
2 A.M.	Trip										12 ¹⁵	12 ¹⁵	1/4	SERVICE RIG & HURDIN						
4 A.M.	Trip										12 ¹⁵	1 ³⁰	1/4	DRUG 8 3/8 HOLE						
6 A.M.	93	83	46	3/2	45	52	59	900			1 ³⁰	4 ¹⁵	2 3/4	TRIP FOR NEW BIT						
8 A.M.	93	85			50	52	60	950			4 ¹⁵	12 ⁰⁰	7 1/4	BREAK CIRC & CLEAN 8' TO BOTTOM						
LBS. Added											KIND									
300											Gel									
100											SALT-Gel									
50											CMC									
100											Peltex									
150											Soltex									
50											CAUSTIC									
LBS. Added											KIND									
300											Gel									
100											SALT-Gel									
50											CMC									
100											Peltex									
150											Soltex									
50											CAUSTIC									
BOP Tested											<input checked="" type="checkbox"/>		DRILLER: <u>F. Kemp</u>				CONTRACTOR'S TIME		CO's TIME	

TIME	MUD RECORD				BIT WT. M	TABLE RPM	PUMP		DEVIATION		START	STOP	HRS.	WORK RECORD	8-4 TOUR					
	WT.	VISC.	W.L.	F.C.			SPM	PRESS	DEPTH	DEG.										
10 A.M.	93	78			50	52	60	950												
NOON																				
2 P.M.	TRIP																			
4 P.M.	TRIP																			
LBS. Added											KIND									
6 1/2											TRIP		STROKE 15							
LBS. Added											KIND									
BOP Tested											<input type="checkbox"/>		DRILLER:				CONTRACTOR'S TIME		CO's TIME	

TIME	MUD RECORD				BIT WT. M	TABLE RPM	PUMP		DEVIATION		START	STOP	HRS.	WORK RECORD	4-12 TOUR					
	WT.	VISC.	W.L.	F.C.			SPM	PRESS	DEPTH	DEG.										
6 P.M.	93	69	48	3/2	50	52	60	950			12 ⁰⁰	1 ⁴⁵	1 3/4	DRUG 8 3/8 HOLE						
8 P.M.	93	72									1 ⁴⁵	3 ¹⁵	1 1/2	TRIP OUT						
10 P.M.	93	70	5.0	3/2							3 ¹⁵	3 ³⁰	1/4	RIG SERVICE + CLOSE + BLIND RAMS.						
12 P.M.											3 ³⁰	4 ⁰⁰	1	TRIP IN w/ BIT 77						
											4 ³⁰	4 ⁴⁵	1/4	BREAK CIRC + CLEAN 5' FILL						
											4 ⁴⁵	12 ⁰⁰	7 1/4	DRUG 8 3/8 HOLE						
LBS. Added											KIND		LBS. ON HAND							
300											GEL									
100											SALT GEL									
150											SONEX									
75											CMC									
100											PELTIX									
50											CAUSTIC									
BOP Tested											<input checked="" type="checkbox"/>		DRILLER: <u>A. B. ...</u>				CONTRACTOR'S TIME		CO's TIME	

CASING TESTED TO: _____ PSI. MIN. FORMATION TESTED _____ PSI. MIN. EQUIPMENT FAILURES _____

RIG FUEL CONSUMPTION _____ GALS BOILER FUEL CONSUMPTION _____ GALS WIRELINE TON MILE _____ TOOL PUSHER: _____

BIL OIL OF CANADA, LTD.

DATE June 1, 65

No. 64 DAILY TIME SHEET 135

Well BIRCH YTB-34

LOGGING REPORT

No. 64

CONTRACTOR PARKER DRILLING

RIG No. 10

Approved

Date 1/10/65

WORK RECORD

12-8 TOUR

FROM TO FOOTAGE HRS. SIZE

Tour 1 Midnite to 8 A.M. Hrs.

ANDRIK
W Bit
Clean 8' To Bottom
LE

DRILLED 5262 5288 26 8 1/2 8 3/8
REAMED
CORED

DRILLER F KAEIMP 12
DERRICK P PIVEKICH 12
MOTORMAN L HENNING 12
FLOORMAN W TAYLOR 12
FLOORMAN V HACHEY 12
FIREMAN

TALLY BIT RECORD

No.	STANDS	LENGTH	BIT No.	SIZE
<u>47</u>	<u>SINGLE</u>	<u>431.65</u>	<u>75</u>	<u>7 1/2</u>
<u>2</u>	<u>SINGLE</u>	<u>62.92</u>	<u>8 3/8</u>	<u>8 3/8</u>
<u>2A</u>	<u>D.C.'S</u>	<u>54.11</u>	<u>HTC</u>	<u>HTC</u>
			<u>OWC</u>	<u>OWC</u>
			<u>37606</u>	<u>5942</u>
			<u>JET SIZE</u>	<u>CON CON</u>
			<u>FROM</u>	<u>5230 5264</u>
			<u>TO</u>	<u>5284 5288</u>
			<u>FOOTAGE</u>	<u>54 24</u>
			<u>HRS.</u>	<u>10 7 1/4</u>
			<u>COND.</u>	<u>3-21 DRUG</u>

REMARKS AND INJURIES:

CONTRACTOR'S TIME

CO'S TIME

8-4 TOUR

FROM TO FOOTAGE HRS. SIZE

Tour 2 8 A.M. to 4 P.M. Hrs.

DRILLED
REAMED
CORED

~~DRILLER~~ S WATSON 12 HC
~~DERRICK~~ FN TRASHKIS 12 AL
~~MOTORMAN~~ T PHIL 12 CM
~~FLOORMAN~~ E SCHAEFER 12 HHC
~~FLOORMAN~~
~~FIREMAN~~

TALLY BIT RECORD

No.	STANDS	LENGTH	BIT No.	SIZE
	<u>SINGLE</u>			
	<u>D.C.'S</u>			

REMARKS AND INJURIES:

CONTRACTOR'S TIME

CO'S TIME

4-12 TOUR

FROM TO FOOTAGE HRS. SIZE

Tour 3 4 P.M. to Midnite Hrs.

Close & Blind Rams.
W Bit 77
Clean 5' Fill
Hole

DRILLED 5283 5318 30 9 3/8
REAMED
CORED

DRILLER F B... 12
DERRICK ... 12
MOTORMAN ... 12
FLOORMAN ... 12
FLOORMAN ... 12
FIREMAN ... 12

TALLY BIT RECORD

No.	STANDS	LENGTH	BIT No.	SIZE
<u>18</u>	<u>SINGLE</u>	<u>44.510</u>	<u>16</u>	<u>7 1/2</u>
	<u>SINGLE</u>		<u>8 3/8</u>	<u>8 3/8</u>
	<u>D.C.'S</u>		<u>ATC</u>	<u>566</u>
			<u>OWC</u>	<u>H7</u>
			<u>1042</u>	<u>762083</u>
			<u>JET SIZE</u>	<u>CON CON</u>
			<u>FROM</u>	<u>5264 5291</u>
			<u>TO</u>	<u>5291 5318</u>
			<u>FOOTAGE</u>	<u>27 27</u>
			<u>HRS.</u>	<u>9 7 1/4</u>
			<u>COND.</u>	<u>3-21 DRUG</u>

REMARKS AND INJURIES:

CONTRACTOR'S TIME

CO'S TIME

MIN.
TON MILE

EQUIPMENT FAILURES
TOOL PUSHER:

TIME LOST
APPROVED:

CALGARY OFFICE

SOCONY MOBIL OIL OF CANADA, LTD.

DAILY DRILLING REPORT

FIELD or AREA: EAGLE Plains WELL NAME & No. BIRCH 418-34 CONTRACTOR PALMER DRILLING

TIME	MUD RECORD				BIT WT. M	TABLE RPM	PUMP		DEVIATION		START	STOP	HRS.	WORK RECORD
	WT.	VISC.	W.L.	F.C.			SPM	PRESS	DEPTH	DEG.				
2 A.M.	92.70				50	52	58	900			12:00	12:15	1/4	SERVICE RIG & HOLES
4 A.M.	92.87	4.7	3/2								12:15	11:00	10 3/4	DRILL 5 7/8 HOLE
6 A.M.	92.85						60	920			11:00	11:15	1/4	DRUG SURVEY
8 A.M.	93.77										11:15	12:00	3/4	TRIPPING FOR NEW BIT

LINER SIZE: _____ STROKE _____

MUD & CHEMICALS

LBS. Added	KIND
300	Gel
150	Salt Gel
100	C.M.C.
100	PelTex
50	SolTex
50	Collex
50	Caustic

BOP Tested

DRILLER: A. Kemp CONTRACTOR'S TIME _____ CO'S. TIME _____

TIME	MUD RECORD				BIT WT. M	TABLE RPM	PUMP		DEVIATION		START	STOP	HRS.
	WT.	VISC.	W.L.	F.C.			SPM	PRESS	DEPTH	DEG.			
10 A.M.					50	52	60	920					
NOON													
2 P.M.													
4 P.M.	93.76				45	52	60	920					

LINER SIZE: 6 1/2 STROKE 15

MUD & CHEMICALS

LBS. Added	KIND
5 SKS	FiberTex
5 SKS	Plug-Git
5 SKS	MICA

BOP Tested _____

DRILLER: _____ CONTRACTOR'S TIME _____ CO'S. TIME _____

TIME	MUD RECORD				BIT WT. M	TABLE RPM	PUMP		DEVIATION		START	STOP	HRS.	
	WT.	VISC.	W.L.	F.C.			SPM	PRESS	DEPTH	DEG.				
6 P.M.	93.72	4.9	3/2		50	52	60	920			12:00	12:30	1/2	TRIP OUT
8 P.M.	93.86	4.4	3/2								12:00	1:15	3/4	BROKE TONGY PUMP IN CH, REPAIR SAME.
10 P.M.	93.83				55	52	60	950			1:15	1:30	1/4	DRY SERVICE & CLOSE HYDRAULIC
12 P.M.	93.81	4.4	3/2								1:30	2:15	1/2	TRIPPING FOR BIT
											2:15	3:15	1/2	BLEND CEMENT CLEAN 5' FILL.
											3:15	12:00	8 3/4	DRILL 8 3/8" HOLE

LINER SIZE: 6 1/2 STROKE 15

MUD & CHEMICALS

LBS. Added	KIND	LBS.	ON HAND
300	GEL		
150	SALT GEL		
100	C.M.C.		
50	CELLEX		
100	SOLTEX		
50	CAUSTIC		
100	PELTIX		

BOP Tested

DRILLER: A. Kemp CONTRACTOR'S TIME _____ CO'S. TIME _____

CASING TESTED TO: _____ PSI. MIN. FORMATION TESTED _____ PSI. MIN. EQUIPMENT FAILURES _____

RIG FUEL CONSUMPTION _____ GALS BOILER FUEL CONSUMPTION _____ GALS WIRELINE TON MILE _____ TOOL PUSHER: _____

L OIL OF CANADA, LTD.

DATE 11/31/65

No. 57 DAILY TIME SHEET

NG REPORT

No. 57

CONTRACTOR PURVIS DRILLING

RIG No. 10

Approved

Date 31/5/65

WORK RECORD

12 - 8 TOUR

FROM TO FOOTAGE HRS. SIZE

Tour 1 Midnite to 8 A.M. Hrs.

DRILLED 5195-5230 35 10 1/2"
REAMED
CORED

DRILLER F. KRUMHOLTZ 12
DERRICK P. P... 12
MOTORMAN L. H... 12
FLOORMAN W. RYAN 12
FLOORMAN V. H... 12
FIREMAN

TALLY

BIT RECORD

No. LENGTH BIT No. 74
STANDS 42 SIZE 8 7/8
SINGLE MAKE H-7
D.C.'s 844.1 TYPE SEC
312 SERIAL 716100
JET SIZE 600
FROM 5159
TO 5230
KELLY IN 40.14 FOOTAGE 41
TOTAL 5230 HRS. 11 1/4
COND. 2-2-1

REMARKS AND INJURIES

CONTRACTOR'S TIME

CO'S TIME

8 - 4 TOUR

FROM TO FOOTAGE HRS. SIZE

Tour 2 8 A.M. to 4 P.M. Hrs.

DRILLED
REAMED
CORED

DRILLER S. WATSON 12 MC
DERRICK E.H. JAGANSHANKAR 12 MC
MOTORMAN J. P... 12 CA
FLOORMAN E. SETHUPATHI 12 MC
FLOORMAN H. KRISHNAIAH 8 TANNER
FIREMAN

TALLY

BIT RECORD

No. LENGTH BIT No.
STANDS
SINGLE
D.C.'s
KELLY IN
TOTAL
COND.

REMARKS AND INJURIES:

CONTRACTOR'S TIME

CO'S TIME

4 - 12 TOUR

FROM TO FOOTAGE HRS. SIZE

Tour 3 4 P.M. to Midnite Hrs.

DRILLED 5230-5262 32 3 1/2"
REAMED
CORED

DRILLER ...
DERRICK ...
MOTORMAN ...
FLOORMAN ...
FLOORMAN ...
FIREMAN

TALLY

BIT RECORD

No. LENGTH BIT No. 75
STANDS 15 SIZE 3 1/2"
SINGLE MAKE H-7
D.C.'s 844.1 TYPE ...
512 SERIAL ...
JET SIZE 100
FROM 5230
TO
KELLY IN 40.64 FOOTAGE 24
TOTAL 5262 HRS. 3 1/4
COND. Dr. 9

REMARKS AND INJURIES:

CONTRACTOR'S TIME

CO'S TIME

IN.

EQUIPMENT FAILURES

TIME LOST

IN MILE

TOOL PUSHER:

APPROVED:

CALGARY OFFICE

SOCONY MOBIL OIL OF CANADA, LTD.

DAILY DRILLING REPORT

FIELD or AREA: EAGLE PLAINS WELL NAME & No. BIRCH YTB-34 CONTRACTOR PARKER DRILLING

TIME	MUD RECORD				BIT WT. M	TABLE RPM	PUMP		DEVIATION		START	STOP	HRS.	WORK RECORD	12 - 8 TOUR
	WT.	VISC.	W.L.	F.C.			SPM	PRESS	DEPTH	DEG.					
2 A.M.	92	72	51	3/2	55	38	56	500			12:15	12:15	1/4	SERVICE RUN ✓ HARRIS	
4 A.M.	92	73			60	✓	✓	✓			5:15	8:00	2 3/4	DRAG 8 3/8" HOLE ATTN FOR NEW BIT CHANGE WAS IN FORMER	
6 A.M.											5:15	8:30	5	BREAK CASE 1 CHECK 11" FILL TO BOTTOM	
8 A.M.											8:20	12:00	3 1/2	DRAG 8 3/8" HOLE	

LINER SIZE: _____ STROKE _____

MUD & CHEMICALS

LBS. Added	KIND
150	SALT GEL
300	Gel
50	Cellex
100	Feltex
100	C.M.C.
150	Soltex
50	Lignox

BOP Tested DRILLER: A. Kemp CONTRACTOR'S TIME _____ CO'S TIME _____

TIME	MUD RECORD				BIT WT. M	TABLE RPM	PUMP		DEVIATION		START	STOP	HRS.	WORK RECORD	8 - 4 TOUR
	WT.	VISC.	W.L.	F.C.			SPM	PRESS	DEPTH	DEG.					
10 A.M.	92	75	50	3/2	50	54	60	900							
NOON															
2 P.M.	92	70			55	50		900							
4 P.M.	92	60													

LINER SIZE: 6 1/2 STROKE 15

MUD & CHEMICALS

LBS. Added	KIND
50	Caustic

BOP Tested _____ DRILLER: _____ CONTRACTOR'S TIME _____ CO'S TIME _____

TIME	MUD RECORD				BIT WT. M	TABLE RPM	PUMP		DEVIATION		START	STOP	HRS.	WORK RECORD	4 - 12 TOUR
	WT.	VISC.	W.L.	F.C.			SPM	PRESS	DEPTH	DEG.					
6 P.M.	92	66			55	50	60	900			12:00	12:10	1/4	RIG SERVICE & CLOSE 4 1/2 RINGS	
8 P.M.											12:15	7:45	7 1/2	DRAG 8 3/8" HOLE	
10 P.M.											10:45	10:30	2 3/4	TRIP FOR B.T. & STRAP PIPE.	
12 P.M.	92	80	52	3/2	50	50	60	900			11:20	11:00	1/2	BREAK CIRC. & CLEAN 8' FILL	
											11:00	12:00	1	DRAG 8 3/8" HOLE	

LINER SIZE: 6 1/2 STROKE 15

MUD & CHEMICALS

LBS. Added	KIND	LBS.	ON HAND
400	GEL		
200	SALT GEL		
50	CELLEX		
50	CAUSTIC		

BOP Tested DRILLER: A. Barkman CONTRACTOR'S TIME _____ CO'S TIME _____

CASING TESTED TO: _____ PSI. MIN. FORMATION TESTED _____ PSI. MIN. EQUIPMENT FAILURES _____

RIG FUEL CONSUMPTION _____ GALS BOILER FUEL CONSUMPTION _____ GALS WIRELINE TON MILE _____ TOOL PUSHER: _____

OBIL OIL OF CANADA, LTD.

DATE Nov 30, 65

No. 58 DAILY TIME SHEET 3:35

BILLING REPORT

No. 58

Well BIRCH YTB-34

CONTRACTOR PARKER DRILLING

RIG No. 10

Approved

Date 30/5/65

WORK RECORD

12 - 8 TOUR

FROM TO FOOTAGE HRS. SIZE

Tour 1 Midnite to 8 A.M. Hrs.

✓ HARRIS
Bit Change Was In Reamer
Held In Hole To Bottom

DRILLED 5150 5172 22 8 1/2 8 3/8
REAMED
CORED

DRILLER E. FREEMAN 12
DERRICK P. FAUPEL 12
MOTORMAN A. HUGHES 12
FLOORMAN W. K. KRS 12
FLOORMAN V. HACHEY 12
FIREMAN

TALLY

BIT RECORD

No. LENGTH BIT No. 72 73
STANDS 42 50 0 SIZE 8 3/8 8 3/8
SINGLE 31.12 MAKE SEC SEC
D.C.'s 844.11 TYPE HST H-7
5.1 SERIAL 7775746367
JET SIZE Out Con
FROM 5150 5163 2
TO 5163 5172
KELLY IN 41 20 FOOTAGE 12 14
TOTAL 5172 HRS. 5 1/2 3 1/2
COND. 1-1-1 Dull

REMARKS AND INJURIES:

CONTRACTOR'S TIME

CO'S TIME

RAT HOLE TOP

8 - 4 TOUR

FROM TO FOOTAGE HRS. SIZE

Tour 2 8 A.M. to 4 P.M. Hrs.

DRILLED
REAMED
CORED

~~DRILLER~~ S. WATSON 12 HC
~~DERRICK~~ EH TREGAMIS 12 HC
~~MOTORMAN~~ J. PAUL 12 CH
FLOORMAN H. HUSCHENRICH 8 TRAVEL
FLOORMAN E. SCHACHER 12 MECH
FIREMAN

TALLY

BIT RECORD

No. LENGTH BIT No.
STANDS
SINGLE
D.C.'s
SERIAL
JET SIZE
FROM
TO
KELLY IN
TOTAL
RAT HOLE TOP

REMARKS AND INJURIES:

CONTRACTOR'S TIME

CO'S TIME

RAT HOLE TOP

4 - 12 TOUR

FROM TO FOOTAGE HRS. SIZE

Tour 3 4 P.M. to Midnite Hrs.

- Close 4 1/2 Rings
+ STRAP PIPE.
& CLEAN 8' FILL
Hole

DRILLED 5172 5195 23 8 1/2 8 3/8
REAMED
CORED

DRILLER S. GARDNER 12
DERRICK W. RYAN 12
MOTORMAN KEY 12
FLOORMAN H. HEBNER 12
FLOORMAN H. BROOKS 12
FIREMAN

TALLY

BIT RECORD

No. LENGTH BIT No. 73 14
STANDS 46 50 0 SIZE 8 3/8 8 3/8
SINGLE 60.12 MAKE SEC SEC
D.C.'s 844.11 TYPE HT. HT
5.23 SERIAL 7775746367
JET SIZE Out Con
FROM 5172 5189
TO 5189 5195
KELLY IN 50.19 FOOTAGE 27 6
TOTAL 5195 HRS. 11 1
COND. 3-2-1 Dull

REMARKS AND INJURIES:

CONTRACTOR'S TIME

CO'S TIME

RAT HOLE TOP

MIN. EQUIPMENT FAILURES
TOOL PUSHER:

TIME LOST
APPROVED: [Signature]

CALGARY OFFICE

SOCONY MOBIL OIL OF CANADA, LTD.

DAILY DRILLING REPORT

FIELD or AREA: EAGLE PLAINS WELL NAME & No. BIRCH YTB 34 CONTRACTOR PARKER DRILLING

TIME	MUD RECORD				BIT WT. M	TABLE RPM	PUMP		DEVIATION		START	STOP	HRS.	WORK RECORD	12-8 TOUR
	WT.	VISC.	W.L.	F.C.			SPM	PRESS	DEPTH	DEG.					
2 A.M.	91	73	5.5	2	50	50	54	900			12:00	12:15	1/4	SERVICE RIG & HYDRIL	
4 A.M.	92	77			50	50					12:15	8:15	8	DRUG 8 5/8" HOLE	
6 A.M.	92	81	4.9	2							8:15	11:00	2 3/4	TRIP FOR NEW BIT	
8 A.M.	92	78									11:00	11:15	4	BREAK CIR CLEAN 12' FILL TO BOTTOM	
											11:15	12:00	3/4	DRUG 8 5/8" HOLE	

LINER SIZE: _____ STROKE _____
 MUD & CHEMICALS
 LBS. Added KIND
 100 Salt Gel
 300 Gel
 50 Cellex
 100 PelTex
 50 Caustic
 150 SolTex
 100 C.M.C.

BOP Tested DRILLER: [Signature] CONTRACTOR'S TIME _____ CO'S TIME _____

TIME	MUD RECORD				BIT WT. M	TABLE RPM	PUMP		DEVIATION		START	STOP	HRS.	WORK RECORD	8-4 TOUR
	WT.	VISC.	W.L.	F.C.			SPM	PRESS	DEPTH	DEG.					
10 A.M.	TRIP														
NOON															
2 P.M.	92	70	5.0	2											
4 P.M.	92	67													

LINER SIZE: _____ STROKE _____
 MUD & CHEMICALS
 LBS. Added KIND
 50 Lignox

BOP Tested _____ DRILLER: _____ CONTRACTOR'S TIME _____ CO'S TIME _____

TIME	MUD RECORD				BIT WT. M	TABLE RPM	PUMP		DEVIATION		START	STOP	HRS.	WORK RECORD	4-12 TOUR
	WT.	VISC.	W.L.	F.C.			SPM	PRESS	DEPTH	DEG.					
6 P.M.	92	71			50	50	54	900			12:00	5:00	5 1/2	DRUG 8 5/8" HOLE	
8 P.M.	92	73									5:00	5:15	14	RIG SERVICE & CLOSE 4 1/2" PIPERUNNERS	
10 P.M.	TRIP														
12 P.M.											5:15	8:00	2 1/4	DRUG 8 5/8" HOLE	
											8:00	10:45	2 3/4	TRIP FOR BIT	
											10:45	11:15	1	BREAK CIRC & CLEAN 15' FILL	
											11:15	12:00	1/4	DRUG 8 5/8" HOLE	

LINER SIZE: 6 1/2 STROKE: 15
 MUD & CHEMICALS
 LBS. Added KIND ON HAND
 300 GEL
 150 SALT GEL
 100 PELTEX
 50 C.M.C.
 50 CELLEX
 100 CAUSTIC
 100 SOLTEX
 LIGNOX - 50#

BOP Tested DRILLER: [Signature] CONTRACTOR'S TIME _____ CO'S TIME _____

CASING TESTED TO: _____ PSI. MIN. FORMATION TESTED _____ PSI. MIN. EQUIPMENT FAILURES _____
 RIG FUEL CONSUMPTION _____ GALS BOILER FUEL CONSUMPTION _____ GALS WIRELINE TON MILE _____ TOOL PUSHER: [Signature]

SOCONY MOBIL OIL OF CANADA, LTD.

DAILY DRILLING REPORT

FIELD or AREA ENGLE PLAINS WELL NAME & No BIRCH YTB-34 CONTRACTOR PARKER-DRILLING

TIME	MUD RECORD				BIT WT. M	TABLE RPM	PUMP		DEVIATION		START	STOP	HRS.	WORK RECORD	12-8 TOUR
	WT.	VISC.	W.L.	F.C.			SPM	PRESS	DEPTH	DEG.					
2 A.M.											12:15	12:15	1/4	SEWICK RIG CHOSE 1 1/2 DRILL BIT	
4 A.M.											12:15	1:00	3/4	SKID & OUT 60' DRILL LINE	
6 A.M.											1:00	2:15	1 1/2	TRIP IN W/ MAGNET	
8 A.M.											2:15	3:30	1 1/2	CIRC & WORK MAGNET TO BOTTOM	
											3:30	5:00	1 1/2	TRIP OUT	
											5:00			PICK UP REMMER, SAVED SUB & 9 DRILL COLLARS	
LINER SIZE: _____ STROKE _____ MUD & CHEMICALS LBS. Added: 150 SALT GEL, 300 GEL, 50 CMC, 50 CELLEX, 100 PELTEX, 50 CAUSTIC, 100 SOLTEX 7:30 2 1/2 TRIP IN 7:50 10:15 2 1/4 BREAK CIRC & CLEAN 26' FILL TO BOTTOM 11:15 12:00 1 3/4 DRILL 8 3/8 HOLE															
BOP Tested: _____ DRILLER: <u>J. Kump</u> CONTRACTOR'S TIME _____ CO'S TIME _____															

TIME	MUD RECORD				BIT WT. M	TABLE RPM	PUMP		DEVIATION		START	STOP	HRS.	WORK RECORD	8-4 TOUR
	WT.	VISC.	W.L.	F.C.			SPM	PRESS	DEPTH	DEG.					
10 A.M.	9.2														
NOON	9.2	84	60	32	45	58	60	40	56	850					
2 P.M.															
4 P.M.	9.2														
LINER SIZE: <u>6 1/2</u> STROKE: <u>15</u> MUD & CHEMICALS BOP Tested: _____ DRILLER: _____ CONTRACTOR'S TIME _____ CO'S TIME _____															

TIME	MUD RECORD				BIT WT. M	TABLE RPM	PUMP		DEVIATION		START	STOP	HRS.	WORK RECORD	4-12 TOUR
	WT.	VISC.	W.L.	F.C.			SPM	PRESS	DEPTH	DEG.					
6 P.M.	9.2										2:00	7:15	7/4	DRILL 8 3/8 HOLE.	
8 P.M.											7:15	10:00	2 3/4	TRIP FOR BIT	
10 P.M.											10:00	11:45	3/4	BREAK CIRC & CLEAN 20' FILL.	
12 P.M.	9.2										11:45	12:00	1 1/4	DRILL 8 3/8 HOLE	
LINER SIZE: <u>6 1/2</u> STROKE: <u>15</u> MUD & CHEMICALS LBS. Added: 1000 GEL, 100 CMC, 50 CAUSTIC BOP Tested: _____ DRILLER: <u>A. Brankard</u> CONTRACTOR'S TIME _____ CO'S TIME _____															

CASING TESTED TO: _____ PSI. MIN. FORMATION TESTED: _____ PSI. MIN. EQUIPMENT FAILURES: _____
 RIG FUEL CONSUMPTION: _____ GALS BOILER FUEL CONSUMPTION: _____ GALS WIRELINE TON MILE: _____ TOOL PUSHER: [Signature]

BIL OIL OF CANADA, LTD.

DATE April 28, 65

No. 56 DAILY TIME SHEET 335

DRILLING REPORT

No. 56

Well BIRCH YTB-34

CONTRACTOR PARKER DRILLING

RIG No. 10

Approved _____ Date 28/5/65

WORK RECORD

12 - 8 TOUR

FROM TO FOOTAGE HRS. SIZE

Tour 1 Midnite to 8 A.M. Hrs.

LOSE ~~100~~ DRILL DRILLS

DRILLED 5059 5163 4 1 3/4 8 3/8
REAMED
CORED

DRILLER F. KIRBY 12
DERRICK TRUCKER 12
MOTORMAN THOMAS 12
FLOORMAN W. H. H. H. 12
FLOORMAN H. H. H. H. 12
FIREMAN

WIRE NET
WIRE NET TO BOTTOM

TALLY BIT RECORD

SAVEN' Sud 4 9 DRILL COLLARS

No. LENGTH BIT No. 69
STANDS 4158.86 SIZE 8 3/8
SINGLE 30.91 MAKE SEC
D.C.'s 844.11 TYPE H.S.J
SERIAL 777571

REMARKS AND INJURIES:

LOW 26' FILL TO BOTTOM

JET SIZE
FROM 5059
TO 5163
FOOTAGE
KELLY IN
TOTAL 23.82 HRS. 1 3/4
RAT HOLE TOP 5063 COND. DRILL

CONTRACTOR'S TIME

CO'S TIME

8 - 4 TOUR

FROM TO FOOTAGE HRS. SIZE

Tour 2 8 A.M. to 4 P.M. Hrs.

DRILLED
REAMED
CORED

DRILLER S. WATSON 12 HC
DERRICK E. H. TREGHGAN 12 AC
MOTORMAN F. HALL 12 CA
FLOORMAN H. H. H. H. 12 HREN
FLOORMAN
FIREMAN

TALLY BIT RECORD

No. LENGTH BIT No.
STANDS
SINGLE
D.C.'s

REMARKS AND INJURIES:

CONTRACTOR'S TIME

CO'S TIME

4 - 12 TOUR

FROM TO FOOTAGE HRS. SIZE

Tour 3 4 P.M. to Midnite Hrs.

DRILLED 5063 5087 24 8 1/2 8 3/8
REAMED
CORED

DRILLER S. BARRETT 12
DERRICK P. H. H. H. 12
MOTORMAN J. H. H. H. 12
FLOORMAN V. HEGNER 12
FLOORMAN H. BROOKS 12
FIREMAN

TALLY BIT RECORD

No. LENGTH BIT No. 69 70
STANDS 4211.17 SIZE 8 3/8 & 3/8
SINGLE
D.C.'s 844.11 TYPE H.S.J H7-A
SERIAL 777571 796119
JET SIZE

REMARKS AND INJURIES:

FROM 5059 5076
TO 5076 5087
FOOTAGE
KELLY IN
TOTAL 16.52 HRS. 9 1/4
RAT HOLE TOP 5087 COND. DRILL

CONTRACTOR'S TIME

CO'S TIME

MIN.

EQUIPMENT FAILURES

TIME LOST

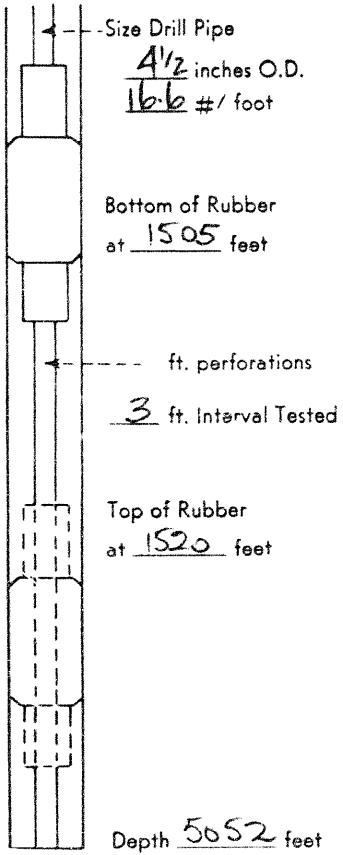
TON MILE

TOOL PUSHER: [Signature]

APPROVED: [Signature]

CALGARY OFFICE

WELL SMWM BIRCH YT B-34 TEST No. 8



Laid Down
Down on Kelly

Total
Picked Up
Test Tool

Total

Picked Up

Laid Down

Feet up on bottom

Type Test Tool Johnston Hydraulic

Type and Size of Packers 2 x 7 1/2" Conventional

2 x 7 1/2" bobtail

Jars none

WELL SMWM

TESTING COMPANY

HOLE DATA:

9 5/8 casing to

8 5/8 hole to

" hole from

MUD: Viscosity

TEST DATA:

Started in

On bottom

Tool open Preflow 1-105

Gas to surface

Mud level dropped?

PIPE RECOVERY:

Mud 270 f

Oil 41 1.50 p

GAS FLOW:

Time Rise

SAMPLE DATA:

Gas Sampled _____ at _____ psi. container pressure
 Oil sample taken _____ ft. and _____ ft. above packer
 Water sample taken 690 ft. above packer
 Disposal of samples _____

REMARKS:

Tool chased to bottom thru vent. 10'-0'
Ran ISI and V.O., then tool slid, reset
packer, no further flow, presumed too much
mud in pipe for shut-in (final) so pulled.
Preflow 5" ISI. 30" T.O. 55" PSI. none

PRESSURES:

FBHP from 100

SIBHP from none

Hydrostatic head 77

SOCONY MOBIL OIL OF CANADA, LTD.
 DRILL STEM TEST REPORT

3-37

No. 8

WELL SMWM BIRCH YT B-34 DATE May 27/65
 TESTING COMPANY JOHNSTON TESTERS OPERATOR L. NAVRATIL

HOLE DATA:

9 5/8 " casing to 600 ft. Interval tested 1505 ft. to 1520 ft.
8 5/8 " hole to 5052 ft. Formation tested _____
 _____ " hole from _____ ft. to _____ ft. Formation top _____ ft.

MUD: Viscosity 92 secs. Weight 9.2 lbs./gal. W/L 5 cc/30 min.

TEST DATA:

Started in 12.15 (P.M.) Oil to surface _____
 On bottom 12.48 Shut in 1.05
 Tool open Pre flow 1-105¹⁵¹ - 1.35 v.o. Pulled Loose 2.30
 Gas to surface _____ Out of hole 3.45
 Mud level dropped? 20 FT.

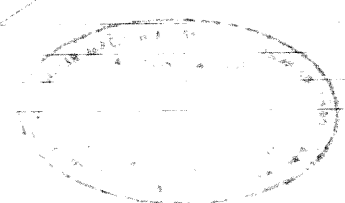
PIPE RECOVERY: 670 feet fluid
 Mud 270 ft Water 420 ft p.p.m. NaCl _____
 Oil _____ Gravity _____ °API at 60°F Shake out _____

At 1:50 picked up and reset tool

GAS FLOW:

Time	Riser O.D. (ins.)	Side Pressure (psi.)	Pilot Differential (Inches Hg./H ₂ O)	Flow Rate (MCF/day)

~~MISRUN~~
 CONCLUSIVE RECOVERY



PRESSURES:

FBHP from 100 psi. to 290 psi.
 SIBHP from none psi. to none psi.
 Hydrostatic head 775 psi. 760 Choke size _____ ins.

Engineer

mechanic
 conventional
 bobtail
 0'-0'
 reset
 mud

SOCONY MOBIL OIL OF CANADA, LTD.
DRILL STEM TEST REPORT

3-37

WELL SMWPM Birch 1/T 8-34 No. 7 DATE May 27/65
 TESTING COMPANY Johnston Testers OPERATOR L. NAVRATIL

HOLE DATA:

9 5/8 " casing to 600 ft. Interval tested 1488 ft. to 1525 ft.
8 5/8 " hole to 5052 ft. Formation tested _____
 _____ " hole from _____ ft. to _____ ft. Formation top _____ ft.

MUD: Viscosity 92 secs. Weight 9.2 lbs./gal. W/L 5 cc/30 min.

TEST DATA:

Started in 12:00 midnite (A.M.) Oil to surface _____
 On bottom 3:22 a.m. (P.M.) Shut in 5:00 a.m.
 Tool open 3:34 a.m. Pulled Loose 6:00 a.m.
 Gas to surface _____ Out of hole _____
 Mud level dropped? 40 FT.

PIPE RECOVERY. 700 ft mud.

Mud _____ Water _____ p.p.m. NaCl _____
 Oil _____ Gravity _____ °API at 60°F _____ Shake out _____

Fair initial air puff. Fair initial airblow on tool open
dying to weak after 50 minutes

GAS FLOW:

Time	Riser O.D. (ins.)	Side Pressure (psi)	Pilot Differential (Inches Hg/H ₂ O)	Flow Rate (MCF/day)
MHS RUN				

PRESSURES:

FBHP from _____ psi. to _____ psi.
 SIBHP from _____ psi. to _____ psi.
 Hydrostatic head _____ psi. Choke size _____ ins.

Johnston
 Engineer

7
 antic
 ventional
 tail
 final

SOCONY MOBIL OIL OF CANADA, LTD.

DAILY DRILLING REPORT

FIELD or AREA: EAGLE Plains WELL NAME & No. BIRCH YTS-34 CONTRACTOR PACKER DRILLING

TIME	MUD RECORD				BIT WT. M	TABLE RPM	PUMP		DEVIATION		START	STOP	HRS.	WORK RECORD
	WT.	VISC.	W.L.	F.C.			SPM	PRESS	DEPTH	DEG.				
2 A.M.											12 ⁰⁰	3 ⁰⁰	3	1 ⁰⁰ P.M. W/ PAKER 2 ⁰⁰ P.M. HEAD UP TEST & TESTING 3 ⁰⁰ P.M. TRIP OUT W/ PAKER 4 ⁰⁰ P.M. WAIT FOR ORDERS 5 ⁰⁰ P.M. JUGGLE TRIP PIPE & TESTING LATERAL 6 ⁰⁰ P.M. AROUND & CHECK OUT TESTING TOOL.
4 A.M.											3 ⁰⁰	6 ⁰⁰	3	
6 A.M.											6 ⁰⁰	7 ³⁰	2	
8 A.M.											7 ³⁰	9 ³⁰	2	
	LBS. Added				KIND		STROKE		DEG.		BOP Tested		DRILLER: <u>J. Kemp</u> CONTRACTOR'S TIME	

D.S.T #7 WT. TESTED 1458 TL 15-25

TIME	MUD RECORD				BIT WT. M	TABLE RPM	PUMP		DEVIATION		START	STOP	HRS.	WORK RECORD
	WT.	VISC.	W.L.	F.C.			SPM	PRESS	DEPTH	DEG.				
10 A.M.														8-4 TOUR
NOON														
2 P.M.														
4 P.M.														
	LBS. Added				KIND		STROKE		DEG.		BOP Tested		DRILLER: CONTRACTOR'S TIME	

TIME	MUD RECORD				BIT WT. M	TABLE RPM	PUMP		DEVIATION		START	STOP	HRS.	WORK RECORD	
	WT.	VISC.	W.L.	F.C.			SPM	PRESS	DEPTH	DEG.					
6 P.M.											12 ⁰⁰	12 ³⁰	1/2	TRIP IN W/ PAKER HEAD UP TEST + TESTING. TRIP OUT TO PAKER LAY DOWN PAKER. TRIP OUT W/ PAPER MAKE UP BIT + JUNK SUB + TRIP IN. BREAK CEMENT CLEAN 40' HOLE. DING ON IRON. DING 8 1/2' HOLE WORK JUNK SUB TRIP OUT	
8 P.M.											12 ³⁰	2 ³⁰	2		
10 P.M.											2 ³⁰	3 ¹⁵	3/4		
12 P.M.											3 ¹⁵	4 ¹⁵	1		
	LBS. Added				KIND		STROKE		DEG.		BOP Tested		DRILLER: CONTRACTOR'S TIME		
	LBS. Added				KIND		STROKE		DEG.		BOP Tested		DRILLER: CONTRACTOR'S TIME		
	LBS. Added				KIND		STROKE		DEG.		BOP Tested		DRILLER: CONTRACTOR'S TIME		
	LBS. Added				KIND		STROKE		DEG.		BOP Tested		DRILLER: CONTRACTOR'S TIME		

CASING TESTED TO: _____ PSI. MIN. FORMATION TESTED _____ PSI. MIN. EQUIPMENT FAILURES _____

RIG FUEL CONSUMPTION _____ GALS BOILER FUEL CONSUMPTION _____ GALS WIRELINE TON MILE _____ TOOL PUSHER: 2/8

DRILLING REPORT

No. 335

Well BIRCH YTB-34

CONTRACTOR PACKER DRILLING

RIG No. 112

Approved

Date 2/25/65

WORK RECORD

12-8 TOUR

FROM TO FOOTAGE HRS. SIZE

Tour 1 Midnite to 8 A.M. Hrs.

WIRE LOG PACKER 4 TRIP IN W/ DST
ST 4 TESTING
PACKER
W/ DST
W/ TIME & TESTING INTERVAL
CHECK OUT TESTING TOOL

DRILLED
REAMED
CORED

DRILLER S. WATSON 12
DERRICK J. P. WATSON 12
MOTORMAN A. J. WATSON 12
FLOORMAN W. WATSON 12
FLOORMAN W. WATSON 12
FIREMAN V. WATSON 12

TALLY

BIT RECORD

No.	LENGTH	BIT No.
STANDS		SIZE
SINGLE		MAKE
D.C.'s		TYPE
		SERIAL
		JET SIZE
		FROM
		TO
KELLY IN		FOOTAGE
TOTAL		HRS.
RAT HOLE TOP		COND.

REMARKS AND INJURIES.

W. TESTED 1488 TO 1525

CONTRACTOR'S TIME

CO'S TIME

8-4 TOUR

FROM TO FOOTAGE HRS. SIZE

Tour 2 8 A.M. to 4 P.M. Hrs.

DRILLED
REAMED
CORED

DRILLER S. WATSON 12 AC
DERRICK E. H. WATSON 12 AC
MOTORMAN J. WATSON 12 AC
FLOORMAN H. WATSON 12 AC
FLOORMAN
FIREMAN

TALLY

BIT RECORD

No.	LENGTH	BIT No.
STANDS		SIZE
SINGLE		MAKE
D.C.'s		TYPE
		SERIAL
		JET SIZE
		FROM
		TO
KELLY IN		FOOTAGE
TOTAL		HRS.
RAT HOLE TOP		COND.

REMARKS AND INJURIES.

CONTRACTOR'S TIME

CO'S TIME

4-12 TOUR

FROM TO FOOTAGE HRS. SIZE

Tour 3 4 P.M. to Midnite Hrs.

PACKER
ST 4 TESTING.
TO PACKER
PACKER.
W/ PIPE
W/ 4 TRIP SUB & TRIP IN.
CLEAN 40' FILL.
W/ PIPE
W/ SUB

DRILLED
REAMED
CORED

DRILLER G. WATSON 12
DERRICK G. WATSON 12
MOTORMAN G. WATSON 12
FLOORMAN G. WATSON 12
FLOORMAN G. WATSON 12
FIREMAN G. WATSON 12

TALLY

BIT RECORD

No.	LENGTH	BIT No.
STANDS	<u>4-12</u>	SIZE <u>3 1/2</u>
SINGLE	<u>20-5</u>	MAKE <u>4-1</u>
D.C.'s	<u>11-1</u>	TYPE <u>2322</u>
	<u>5-1</u>	SERIAL <u>1240</u>
	<u>2-1</u>	JET SIZE <u>2 1/2</u>
	<u>14-1</u>	FROM <u>5027</u>
		TO <u>5014</u>
KELLY IN		FOOTAGE <u>7</u>
TOTAL	<u>1304</u>	HRS. <u>13/4</u>
RAT HOLE TOP	<u>219</u>	COND.

REMARKS AND INJURIES.

CONTRACTOR'S TIME

CO'S TIME

MIN

EQUIPMENT FAILURES

TIME LOST

TON MILE

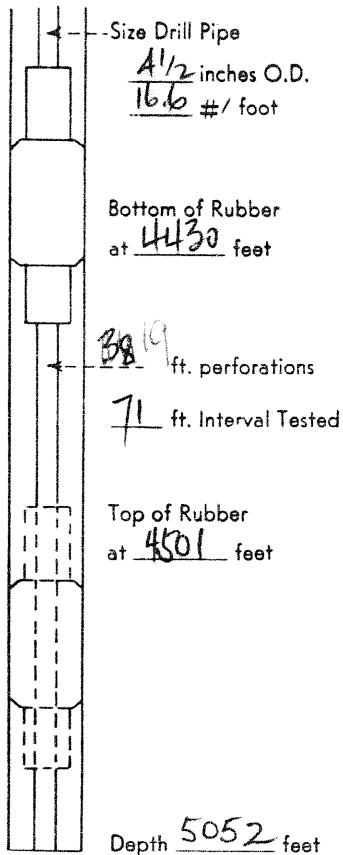
TOOL PUSHER: [Signature]

APPROVED: [Signature]

CALGARY OFFICE

WELL SMWM Birch Y7 B-34 TEST No. 6

SO



Laid Down	_____
Down on Kelly	_____
_____	_____
_____	_____
_____	_____
Total Picked Up Test Tool	_____
_____	_____
_____	_____
_____	_____
_____	_____
_____	_____
Total	_____
Picked Up	_____
Laid Down	_____
Feet up on bottom	_____

Type Test Tool Johnson Hydraulic

Type and Size of Packers 1 1/2" 2 conventional
2 bob tail

Jars 1 x HSI Johnson

WELL SMWM

TESTING COMPANY _____

HOLE DATA:

9 5/8 " casing to 6

8 5/8 " hole to 50

_____ " hole from _____

MUD: _____ Viscosity 80

TEST DATA:

Started in 5.00

On bottom 6.30

Tool open 7.30

Gas to surface 7.40

Mud level dropped? _____

PIPE RECOVERY:

Mud _____

Oil _____

SAMPLE DATA:

Gas Sampled yes at _____ psi. container pressure

Oil sample taken _____ ft. and _____ ft. above packer

Water sample taken 30 and 0 ft. above packer

Disposal of samples _____

GAS FLOW:

Time	Riser O.
<u>7:30 a.m.</u>	<u>2</u>
<u>8:15 a.m.</u>	<u>2</u>
<u>10:10 a.m.</u>	<u>3</u>
<u>10:40 a.m.</u>	<u>3</u>
<u>11:30 a.m.</u>	<u>3</u>
<u>12:30 p.m.</u>	<u>3</u>
<u>1:00 p.m.</u>	<u>3</u>
<u>1:30</u>	<u>3</u>

REMARKS:

1 1/2 inch head of water on gas blow - 10 foot flare.

CTS - 4"

Mud ~~to~~ to surface - 35 minutes.

Turned to mud spray, then muddy water spray.

After 100 minutes, tool shipped to bottom at 9:01 a.m., reopened at 9:23

PRESSURES:

FBHP from 1600 p

SIBHP from 1700 p

Hydrostatic head 2280

Keeflen 5" packer to bottom

SOCONY MOBIL OIL OF CANADA, LTD.
 DRILL STEM TEST REPORT

3-17

WELL SMMUM BIRCH 1/2 B-34 DATE MAY 26/65
 TESTING COMPANY JOHNSTON TESTERS OPERATOR LEO NAVRATIL

HOLE DATA:

9 5/8 casing to 600 ft. Interval tested 4430 ft. to 4501 ft.
8 5/8 hole to 5052 ft. Formation tested _____
 " hole from _____ ft. to _____ ft. Formation top _____ ft.

MUD: Viscosity 83 secs. Weight 9.2 lbs./gal W/L 5.0 cc/30 min.

TEST DATA:

Started in 5.00 (A.M.) Oil to surface _____
 On bottom 6.30 Shut in 11.45 p.m.
 Tool open 7.36 Pulled Loose 3.15 p.m.
 Gas to surface 7.40 Out of hole 5.45 p.m.

Mud level dropped? 4 FT.

PIPE RECOVERY. 300 feet gas cut sulfurous water

Mud _____ Water 2800 300 p.p.m. NaCl 2800
 Oil _____ Gravity _____ °API at 60°F Shake out _____

GAS FLOW:

Time	Riser O.D. (ins.)	Side Pressure, (psi.)	Pilot Differential (Inches H ₂ O)	Flow Rate (MCF/day)
<u>7:30 a.m.</u>	<u>2"</u>		<u>1.2 W</u>	<u>155 MCF/D</u>
<u>8:15 a.m.</u>	<u>3"</u>		<u>4.0 M</u>	<u>2.3 M MCF/D</u>
<u>10:10 a.m.</u>	<u>3"</u>		<u>15.0 M</u>	<u>4.5 M MCF/D</u>
<u>10:40 a.m.</u>	<u>3"</u>		<u>15.0 M</u>	<u>4.5 M MCF/D</u>
<u>11:30 a.m.</u>	<u>3"</u>		<u>21.0 M</u>	<u>5.3 M</u>
<u>12:30 p.m.</u>	<u>3"</u>		22 <u>22</u>	5.4 M <u>5.4 M</u>
<u>1:00 p.m.</u>	<u>3"</u>		<u>23.0</u>	<u>5.5 M</u>
<u>1:30</u>	<u>3"</u>		<u>23.0</u>	<u>5.5 M</u>

(Surges in 5 M MCF/D)

PRESSURES:

FBHP from 1600 psi. to 1620 psi.
 SIBHP from 1700 psi. to 1650 psi.
 Hydrostatic head 2280 psi. 2100 Choke size 1/2 inch

The J. Clare
 Engineer

SOCONY MOBIL OIL OF CANADA, LTD.

DAILY DRILLING REPORT

FIELD or AREA: EAGLE PINNS WELL NAME & No: BIRCH YIB-34 CONTRACTOR: PACER LINDNER

TIME	MUD RECORD				BIT WT. M	TABLE RPM	PUMP		DEVIATION		START	STOP	HRS.	WORK RECORD	12-8 TOUR
	WT.	VISC.	W.L.	F.C.			SPM	PRESS	DEPTH	DEG.					
2 A.M.											12:00	1:30	1 1/2	CIRC TO TEST	
4 A.M.											1:30	3:00	1 1/2	TRIP OUT	
6 A.M.											3:00	5:00	2	PICK UP PACKER W/ PACKER	
8 A.M.											5:00	6:30	1 1/2	TRIP IN W/ PACKER	
											6:30	12:00	5 1/2	WEND UP TEST + TESTING	

LINER SIZE: _____ STROKE _____
 MUD & CHEMICALS
 LBS. Added: _____ KIND _____

D.S.T. #6 W/ TESTER W/ C.T. 12:00

BOP Tested _____ DRILLER: [Signature] CONTRACTOR'S TIME _____ CO'S TIME _____

TIME	MUD RECORD				BIT WT. M	TABLE RPM	PUMP		DEVIATION		START	STOP	HRS.	WORK RECORD	8-4 TOUR
	WT.	VISC.	W.L.	F.C.			SPM	PRESS	DEPTH	DEG.					
10 A.M.															
NOON															
2 P.M.															
4 P.M.															

LINER SIZE: _____ STROKE _____
 MUD & CHEMICALS
 LBS. Added: _____ KIND _____

BOP Tested _____ DRILLER: _____ CONTRACTOR'S TIME _____ CO'S TIME _____

TIME	MUD RECORD				BIT WT. M	TABLE RPM	PUMP		DEVIATION		START	STOP	HRS.	WORK RECORD	4-12 TOUR
	WT.	VISC.	W.L.	F.C.			SPM	PRESS	DEPTH	DEG.					
6 P.M.							60	1080			7:00	8:00	3	DST #6	
8 P.M.											8:30	9:30	1 1/2	TRIP OUT W/ PACKER	
10 P.M.											9:30	10:15	1 1/4	SERVICE PACKER CHY DOWN	
12 P.M.											10:15	11:30	1 1/4	TRIP IN W/ BIT TO COND 1100'	
											11:30	12:30	1	BREAK PIPE + CLEAN 20' FILL	
											12:30	1:00	1 1/2	TRIP OUT	

LINER SIZE: 6 1/2 STROKE 15
 MUD & CHEMICALS
 LBS. Added: _____ KIND _____
 LBS. ON HAND _____
 900 GEL
 100 CAUSTIC
 100 CALTEX

BOP Tested DRILLER: [Signature] CONTRACTOR'S TIME _____ CO'S TIME _____

CASING TESTED TO: _____ PSI. MIN. _____ FORMATION TESTED _____ PSI. MIN. _____ EQUIPMENT FAILURES _____
 RIG FUEL CONSUMPTION _____ GALS _____ BOILER FUEL CONSUMPTION _____ GALS _____ WIRELINE TON-MILE _____ TOOL PUSHER: [Signature]

OBIL OIL OF CANADA, LTD.

DATE 11/14/65

No. 54 DAILY TIME SHEET

DRILLING REPORT

No. 54

Well BIRCH YTB-34

CONTRACTOR PARKER DRILLING

No. 10

Approved

Date 11/13/65

WORK RECORD

12-8 TOUR

FROM TO FOOTAGE HRS. SIZE

Tour 1 Midnite to 8 A.M. Hrs.

DRILLED
REAMED
CORED

DRILLER F. KENNEDY 12
DERRICK 11 T. HENRI 12
MOTORMAN W. HENRI 12
FLOORMAN W. AYRS 12
FLOORMAN V. HENRY 12
FIREMAN

TALLY

BIT RECORD

No. 48
STANDS 41.56
SINGLE
D.C.'s 572.15

BIT No.
SIZE
MAKE
TYPE
SERIAL
JET SIZE
FROM
TO
FOOTAGE
HRS.
COND.

KELLY IN 140
TOTAL 505.2
RAT HOLE TOP

REMARKS AND INJURIES:

UP PARKER
PARKER
TEST + TESTING

#6 NOT TESTED 4430 TO 4550

CONTRACTOR'S TIME

CO'S TIME

RAT HOLE TOP

8-4 TOUR

FROM TO FOOTAGE HRS. SIZE

Tour 2 8 A.M. to 4 P.M. Hrs.

DRILLED
REAMED
CORED

DRILLER S. WATSON 12 HC
DERRICK 11 T. HENRI 12 HC
MOTORMAN J. PAUL 12 CA
FLOORMAN 11 H. RUSCHAK 12 D/C
FLOORMAN
FIREMAN

TALLY

BIT RECORD

No.
STANDS
SINGLE
D.C.'s

BIT No.
SIZE
MAKE
TYPE
SERIAL
JET SIZE
FROM
TO
FOOTAGE
HRS.
COND.

KELLY IN
TOTAL
RAT HOLE TOP

REMARKS AND INJURIES:

CONTRACTOR'S TIME

CO'S TIME

RAT HOLE TOP

4-12 TOUR

FROM TO FOOTAGE HRS. SIZE

Tour 3 4 P.M. to Midnite Hrs.

DRILLED
REAMED
CORED

DRILLER G. BARNHART 12
DERRICK 11 T. HENRI 12
MOTORMAN 11 T. HENRI 12
FLOORMAN D. HEENER 12
FLOORMAN A. BROOKS 12
FIREMAN

TALLY

BIT RECORD

No. 48
STANDS 44.56
SINGLE
D.C.'s 572.15

BIT No.
SIZE 3 5/8
MAKE MTC
TYPE WTR
SERIAL 1683
JET SIZE 2.25
FROM
TO
FOOTAGE
HRS.
COND.

84
826
KELLY IN 2.78
TOTAL 505.2
RAT HOLE TOP

REMARKS AND INJURIES:

WEEK SANDS & FULL PARKER LOOSE.
PARKER
VERY SLOW DOWN & ...
Bit To Cond Note.
CLEAN 20' FILL
NOTE TO ...

CONTRACTOR'S TIME

CO'S TIME

RAT HOLE TOP

MIN

EQUIPMENT FAILURES

TIME LOST

TON MILE

TOOL PUSHER: [Signature]

APPROVED: [Signature]

CALGARY OFFICE

SOCONY MOBIL OIL OF CANADA, LTD.

DAILY DRILLING REPORT

FIELD or AREA: EAGLE PLAINS WELL NAME & No. BIRCH YTB-34 CONTRACTOR PARKER DRILLING

TIME	MUD RECORD				BIT WT. M	TABLE RPM	PUMP		DEVIATION		START	STOP	HRS.	WORK RECORD	12-8 TOUR
	WT.	VISC.	W.L.	F.C.			SPM	PRESS	DEPTH	DEG.					
2 A.M.											12:00	12:00	12	Schlumberger Logging Well	
4 A.M.															
6 A.M.															
8 A.M.															
LINER SIZE: _____ STROKE _____															
MUD & CHEMICALS															
LBS. Added: _____ KIND _____															
BOP Tested _____												DRILLER: <u>[Signature]</u>		CONTRACTOR'S TIME _____	CO'S TIME _____

TIME	MUD RECORD				BIT WT. M	TABLE RPM	PUMP		DEVIATION		START	STOP	HRS.	WORK RECORD	8-4 TOUR
	WT.	VISC.	W.L.	F.C.			SPM	PRESS	DEPTH	DEG.					
10 A.M.															
NOON															
2 P.M.															
4 P.M.															
LINER SIZE: _____ STROKE _____															
MUD & CHEMICALS															
LBS. Added: _____ KIND _____															
BOP Tested _____												DRILLER: _____		CONTRACTOR'S TIME _____	CO'S TIME _____

TIME	MUD RECORD				BIT WT. M	TABLE RPM	PUMP		DEVIATION		START	STOP	HRS.	WORK RECORD	4-12 TOUR
	WT.	VISC.	W.L.	F.C.			SPM	PRESS	DEPTH	DEG.					
6 P.M.							60	1000			12:00	2:00	2	Schlumberger Logging Hole.	
8 P.M.							✓	✓			2:10	4:10	2	1st Down Core Next Stump Section	
10 P.M.							✓	✓			4:10	5:15	1 1/4	8" 6 1/4" Drill Section.	
12 P.M.							✓	✓			5:15	8:00	2 3/4	Trip In w/ bit to Comb Hole.	
LINER SIZE: <u>6 1/2</u> STROKE <u>15</u>															
MUD & CHEMICALS															
LBS. Added: _____ KIND _____												LBS. ON HAND _____			
BOP Tested _____												DRILLER: <u>[Signature]</u>		CONTRACTOR'S TIME _____	CO'S TIME _____

CASING TESTED TO: _____ PSI. MIN. _____ FORMATION TESTED _____ PSI. MIN. _____ EQUIPMENT FAILURES _____

RIG FUEL CONSUMPTION _____ GALS BOILER FUEL CONSUMPTION _____ GALS WIRELINE TON MILE _____ TOOL PUSHER: _____

SOCONY MOBIL OIL OF CANADA, LTD.

DAILY DRILLING REPORT

FIELD or AREA: EAGLE PLAINS WELL NAME & No. BIRCH YTB-34 CONTRACTOR PINKER DRILLING

TIME	MUD RECORD				BIT WT. M	TABLE RPM	PUMP		DEVIATION		START	STOP	HRS.	WORK RECORD	12-8 TOUR
	WT.	VISC.	W.L.	F.C.			SPM	PRESS	DEPTH	DEG.					
2 A.M.	92.103										1200	1215	1 1/4 TRIP IN		
4 A.M.											1215	1230	1/4 BURN CIRCUIT CHECK TO TOP OF RATHOLE		
6 A.M.											1230	215	1 3/4 BURN 5' 6" RATHOLE TO 8 3/8		
8 A.M.											215	315	3 CIR CONDITON MUDY HOLE TO LOG		
											315	715	2 TRIP OUT SLOW STAIR PIPE		
											715	1200	1 3/4 TRIP UP SULLUMBERSEK 4100		

LINER SIZE: _____ STROKE _____
 MUD & CHEMICALS
 LBS. Added: 2000 Gel 50 Cellex
 KIND: _____

BOARD TALLY 5052.00
 START TALLY 5051.61
 DIFF .39
 CO'S TIME _____

DRILLER: [Signature] CONTRACTOR'S TIME _____

TIME	MUD RECORD				BIT WT. M	TABLE RPM	PUMP		DEVIATION		START	STOP	HRS.	WORK RECORD	8-4 TOUR
	WT.	VISC.	W.L.	F.C.			SPM	PRESS	DEPTH	DEG.					
10 A.M.															
NOON															
2 P.M.															
4 P.M.															

LINER SIZE: _____ STROKE _____
 MUD & CHEMICALS
 LBS. Added: _____ KIND: _____

DRILLER: _____ CONTRACTOR'S TIME _____ CO'S TIME _____

TIME	MUD RECORD				BIT WT. M	TABLE RPM	PUMP		DEVIATION		START	STOP	HRS.	WORK RECORD	4-12 TOUR
	WT.	VISC.	W.L.	F.C.			SPM	PRESS	DEPTH	DEG.					
6 P.M.															
8 P.M.															
10 P.M.															
12 P.M.															

LINER SIZE: _____ STROKE _____
 MUD & CHEMICALS
 LBS. Added: _____ KIND: _____ LBS. ON HAND _____

DRILLER: _____ CONTRACTOR'S TIME _____ CO'S TIME _____

CASING TESTED TO: _____ PSI MIN. FORMATION TESTED _____ PSI MIN. EQUIPMENT FAILURES _____
 RIG FUEL CONSUMPTION _____ GALS BOILER FUEL CONSUMPTION _____ GALS WIRELINE TON MILE _____ TOOL PUSHER _____

OBIL OIL OF CANADA, LTD.

DATE ~~11/24/65~~ 11/24/65

No. 52 DAILY TIME SHEET

DRILLING REPORT

No. 52

Well BIRCH YTB-34

34 CONTRACTOR PARKER DRILLING

RIG No. 10

Approved

Date 24/5/65

WORK RECORD

12 - 8 TOUR

FROM TO FOOTAGE HRS. SIZE

Tour 1 Midnite to 8 A.M. Hrs.

CLEAN TO TOP OF RATHOLE
8 RATHOLE TO 8 3/4
Good MUD & HOLE TO LOGS
W. STAIN PIPE
W. BERSEK 9200

DRILLED

REAMED

CORED

TALLY

BIT RECORD

No. 45
STANDS 113567
SINGLE 3054
D.C.'s 884.11

BIT No. 67
SIZE 8 3/8
MAKE HTC
TYPE CWC
SERIAL 88403
JET SIZE 600

DRILLER F BRENNER 12
DERRICK P KORNELICH 12
MOTORMAN L HOUWAND 12
FLOORMAN W RYKS 12
FLOORMAN V HACHET 12
FIREMAN

REMARKS AND INJURIES:

Boared TALLY 5'052.00
STAIN TALLY 5'051.61
DIFF .39

KELLY IN 1704
TOTAL 5'052
RATHOLE TOP

FROM TO FOOTAGE HRS. COND.

CONTRACTOR'S TIME

CO'S TIME

8 - 4 TOUR

FROM TO FOOTAGE HRS. SIZE

Tour 2 8 A.M. to 4 P.M. Hrs.

DRILLED

REAMED

CORED

TALLY

BIT RECORD

No.
STANDS
SINGLE
D.C.'s

BIT No.
SIZE
MAKE
TYPE
SERIAL
JET SIZE

~~DRILLER~~ S WATSON 12 HC
~~DERRICK~~ FH TREANSHIS 12 AC
~~MOTORMAN~~ T PAUL 12 BA
~~FLOORMAN~~ H KRUSCHENAR 12 MECH
FIREMAN

REMARKS AND INJURIES:

CONTRACTOR'S TIME

CO'S TIME

4 - 12 TOUR

FROM TO FOOTAGE HRS. SIZE

Tour 3 4 P.M. to Midnite Hrs.

DRILLED

REAMED

CORED

TALLY

BIT RECORD

No.
STANDS
SINGLE
D.C.'s

BIT No.
SIZE
MAKE
TYPE
SERIAL
JET SIZE

DRILLER G. GARRIGUET 12
DERRICK W. P. INNS 12
MOTORMAN J. FREY 12
FLOORMAN V. HEBNER 12
FIREMAN H. BROOKS 12

REMARKS AND INJURIES:

CONTRACTOR'S TIME

CO'S TIME

RATHOLE TOP

COND.

MIN.

EQUIPMENT FAILURES

TIME LOST

NET TON MILE

TOOL PUSHER: *[Signature]*

APPROVED: *[Signature]*

CALGARY OFFICE

SOCONY MOBIL OIL OF CANADA, LTD.

CORE REPORT

CONTRACTOR PARKER DRILLING AREA EMULE PLAINS LOCATION DWELL 178-34
 THIS SECTION TO BE FILLED AT THE WELL

DATE	CORE NO.	DEPTH CORED		FOOTAGE CORED	TIME			% RECO. VERY	CORE BIT				BARREL		PUMP		TABLE RPM	FOOTAGE CORING	HRS CORING	ACCUMU
		FROM	TO		START	STOP	HRS CORING		NO.	MAKE	SIZE	TYPE	SER. NO.	TYPE	NO.	SPM				
May 8	8	5047	5048	1	2:54	3:52	58		60	CHRIST	6 1/8	◇	EC1506			42	775	65	4000	
23/65		5048	5049	2	5:52	4:58	66									✓	800	65	8000	
		5049	5050	3	4:58	6:15	77									✓	800	✓	9000	
		5050	5051	4	6:15	7:26	71									✓	✓	✓	✓	
		5051	5052	5	7:26	8:38	72									✓	✓	✓	✓	

DISTRIBUTION: WHITE - TO CALGARY OFFICE; YELLOW - TO FIELD OFFICE

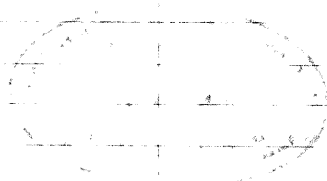
CORE REPORT

WELL NAME & NO. _____

7
 2115 LOCATION BIRCH YTD-34 WELL NAME & NO. BIRCH YTD-34
 THIS SECTION TO BE FILLED AT THE FIELD OFFICE

SER. NO.	BARREL		PUMP		TABLE RPM	ACCUMULATED				FORMATION CORED	REMARKS	THIS COLUMN TO BE FILLED FOR & SENT TO THE ACCOUNTING DEPT.
	TYPE	NO.	SPM	PRESS		FOOTAGE CORING	HRS	TOTAL FOOTAGE CORED TO DATE	TOTAL HRS CORED TO DATE			
FC1506			43	725	65	4000						
			✓	800	65	8000						
			✓	800	✓	9000						
			✓	✓	✓	✓						
			✓	✓	✓	✓						
												TOTAL

Remained



Handwritten signature or initials

SERIAL NO. OF BITS
 FOOTAGE CORED AT THIS WELL
 ACCUMULATED FOOTAGE TO DATE
 SERIAL NO. OF CORE BARREL USED
 ACCUMULATED FOOTAGE CORED PER BARREL
 REMARKS:
 MAGNET USED _____ COMPANY OWNED _____ DAYS
 CONTRACTORS _____ DAYS

SOCONY MOBIL OIL OF CANADA, LTD.

DAILY DRILLING REPORT

FIELD or AREA ENGLE PLAINS WELL NAME & No. BIRCH YTB-34 CONTRACTOR PARKER DRILLING

TIME	MUD RECORD				BIT TABLE		PUMP		DEVIATION		START	STOP	HRS.	WORK RECORD
	WT.	VISC.	W.L.	F.C.	WT. M	RPM	SPM	PRESS	DEPTH	DEG.				
2 A.M.	9.1	77	76	32.5	56	58	950				100		1	CLEANING TO BOTTOM
4 A.M.	9.2	83			50	51					845		34	DRILL 8 3/4 HOLE
6 A.M.	9.2	76	5.1	32.5	56						800		34	DRILL 8 3/4 HOLE
8 A.M.	9.2	74			55	56					845		13	DRILL 8 3/4 HOLE
	LINER SIZE:				STROKE									
MUD & CHEMICALS														
LBS. Added: 1000 Gel, 50 CMC, 50 Caustic														
BOP Tested: <input checked="" type="checkbox"/> DRILLER: <u>J. King</u> CONTRACTOR'S TIME: COY. TIME:														

TIME	MUD RECORD				BIT TABLE		PUMP		DEVIATION		START	STOP	HRS.	WORK RECORD
	WT.	VISC.	W.L.	F.C.	WT. M	RPM	SPM	PRESS	DEPTH	DEG.				
10 A.M.														
NOON														
2 P.M.														
4 P.M.														
LINER SIZE:				STROKE										
MUD & CHEMICALS														
LBS. Added: KIND:														
BOP Tested: <input type="checkbox"/> DRILLER: CONTRACTOR'S TIME: COY. TIME:														

TIME	MUD RECORD				BIT TABLE		PUMP		DEVIATION		START	STOP	HRS.	WORK RECORD
	WT.	VISC.	W.L.	F.C.	WT. M	RPM	SPM	PRESS	DEPTH	DEG.				
6 P.M.	5.2	82	4		45	43	800				1200	1230	1/2	WAITING ON ORDERS
8 P.M.											1230	1245	1/4	RIG SERVICE + CLOSE BUILT IN HOLES
10 P.M.											1245	200	1/4	TRIP IN w/ CORE BAR
12 P.M.											200	230	1/2	BREAK CORE + CLEAN 15' FILL
	LINER SIZE: 5/2				STROKE									
MUD & CHEMICALS														
LBS. Added: KIND: ON HAND:														
BOP Tested: <input type="checkbox"/> DRILLER: <u>B. Baker</u> CONTRACTOR'S TIME: COY. TIME:														

CASING TESTED TO: PSI. MIN. FORMATION TESTED: PSI. MIN. EQUIPMENT FAILURES:

RIG FUEL CONSUMPTION: GALS. BOILER FUEL CONSUMPTION: GALS. WIRELINE TON MILE: TOOL PUSHER:

MOBIL OIL OF CANADA, LTD.

DATE 11/23, 65

No. 57 DAILY TIME SHEET

DRILLING REPORT

No. 57

Well BIRCH YTB-34

34 CONTRACTOR PARKER DRILLING

RIG No. 10

Approved

Date 12/5/65

WORK RECORD

12-8 TOUR

FROM TO FOOTAGE HRS. SIZE

Tour 1 Midnite to 8 A.M. Hrs.

Bottom
LE
✓ HARKIN

DRILLED
REAMED 5021 5047 26 8 5/8
CORED

DRILLER F. KEMP 12
DERRICK P. HYERICH 12
MOTORMAN J. HULLAHAN 12
FLOORMAN W. KYKS 12
FLOORMAN V. HACHEL 12
FIREMAN

TALLY

BIT RECORD

No. LENGTH
STANDS 45 41 3/4
SINGLE 1 30 5/4
D.C. 24 8 1/4 11 5/20

BIT No. 65
SIZE 8 3/8
MAKE HTC
TYPE DWC
SERIAL 67713
JET SIZE 3/16
FROM 5021
TO 5047
FOOTAGE 26
HRS. 8 1/2
COND. HT

KELLY IN 1208
TOTAL 5047
RATHOLE TOP

REMARKS AND INJURIES.

CONTRACTOR'S TIME

CO'S TIME

8-4 TOUR

FROM TO FOOTAGE HRS. SIZE

Tour 2 8 A.M. to 4 P.M. Hrs.

DRILLED
REAMED
CORED

DRILLER S. WATSON 12 HC
DERRICK F. TREGASKIS 12 HC
MOTORMAN T. PAUL 12 CA
FLOORMAN H. KRUSHENIK 12 MECH
FLOORMAN
FIREMAN

TALLY

BIT RECORD

No. LENGTH
STANDS
SINGLE
D.C.

BIT No.
SIZE
MAKE
TYPE
SERIAL
JET SIZE
FROM
TO
FOOTAGE
HRS.
COND.

KELLY IN
TOTAL
RATHOLE TOP

REMARKS AND INJURIES.

CONTRACTOR'S TIME

CO'S TIME

4-12 TOUR

FROM TO FOOTAGE HRS. SIZE

Tour 3 4 P.M. to Midnite Hrs.

2 ORDERS
+ CLOSE BOND REAMS.
PORT BOLL
CLEAN 15' FILL.
30L ON DISTANT.
1 H 8
14 SERVICE BOLL.

DRILLED
REAMED
CORED

DRILLER J. C. GILBERT 12
DERRICK L. J. JAMES 12
MOTORMAN S. TERRY 12
FLOORMAN D. HEBNER 12
FLOORMAN T. BROOKS 12
FIREMAN

TALLY

BIT RECORD

No. LENGTH
STANDS
SINGLE
D.C.

BIT No. 66
SIZE 6 1/2
MAKE PIRINT
TYPE 0
SERIAL 61106
JET SIZE
FROM 5047
TO 5053
FOOTAGE 6
HRS. 6
COND. HT

KELLY IN
TOTAL
RATHOLE TOP

REMARKS AND INJURIES

CONTRACTOR'S TIME

CO'S TIME

MIN

EQUIPMENT FAILURES

TIME LOST

NET TON MILE

TOOL PUSHER:

APPROVED

CALGARY OFFICE

SOCONY MOBIL OIL OF CANADA, LTD.

DAILY DRILLING REPORT

FIELD or AREA: EMULE BRIMS WELL NAME & No. BIRCH 725-34 CONTRACTOR PARKER DRILLING

TIME	MUD RECORD				BIT WT. M	TABLE RPM	PUMP		DEVIATION		START	STOP	HRS.	WORK RECORD	12-8 TOUR
	WT.	VISC.	W.L.	F.C.			SPM	PRESS	DEPTH	DEG.					
2 A.M.											12:00	2:00	2	TRIP OUT 145' FILL TO BOTTOM	
4 A.M.											2:00	3:45	1 1/4	CIRC MIX SPNEW VOLUME OF MUD	
6 A.M.											3:45	5:15	1 1/2	TRIP OUT	
8 A.M.											5:15	5:50	3/4	PIPE SERVICE CLOSE BLIND BRIMS	
											5:50	6:45	1 1/4	TRIP IN	
											6:45	8:00	1 1/2	CLEAN OUT 145' FILL TO BOTTOM	
											8:00	12:00	4	DRILL 8 5/8" HOLE	
LINER SIZE: <u>30 58</u> STROKE <u>16"</u> MUD & CHEMICALS LBS. Added: <u>10 SKS FLUFF-IT</u> <u>10 SKS JELFLAKE</u> <u>3000 GEL</u> <u>100 CELLER</u> <u>50 CAUSTIC</u> <u>250 CMC.</u>															

LAST 80 BBLs WENT TO EQUIPMENT AND NOT TO TRIP?

TIME	MUD RECORD				BIT WT. M	TABLE RPM	PUMP		DEVIATION		START	STOP	HRS.	DRILLER: <u>A. Pump</u>	CONTRACTOR'S TIME	CO'S TIME
	WT.	VISC.	W.L.	F.C.			SPM	PRESS	DEPTH	DEG.						
10 A.M.																
NOON																
2 P.M.																
4 P.M.																
LINER SIZE: <u>6 1/2</u> STROKE <u>15"</u> MUD & CHEMICALS LBS. Added: <u>1520 GEL</u> <u>50 CAUSTIC</u>																

TIME	MUD RECORD				BIT WT. M	TABLE RPM	PUMP		DEVIATION		START	STOP	HRS.	DRILLER: <u>A. Brink</u>	CONTRACTOR'S TIME	CO'S TIME
	WT.	VISC.	W.L.	F.C.			SPM	PRESS	DEPTH	DEG.						
6 P.M.											12:00	12:15	1/4	PIPE SERVICE + C-OSE PIPE RAMS.		
8 P.M.											12:15	11:50	2 3/4	DRILLING 8 5/8" HOLE.		
10 P.M.											11:45	12:00	1/4	TRIP FOR BIT		
12 P.M.														1/4	BREAK CIRC & CLEAN TO BOTTOM.	
LINER SIZE: <u>6 1/2</u> STROKE <u>15"</u> MUD & CHEMICALS LBS. Added: <u>1520 GEL</u> <u>50 CAUSTIC</u>																

CASING TESTED TO: _____ PSI. MIN. FORMATION TESTED: _____ PSI. MIN. EQUIPMENT FAILURES: _____
 RIG FUEL CONSUMPTION: _____ GALS BOILER FUEL CONSUMPTION: _____ GALS WIRELINE TON MILE: _____ TOOL PUSHER: _____

MOBIL OIL OF CANADA, LTD.

DATE ~~4/22/65~~ 4/22/65

No. 50 DAILY TIME SHEET

DRILLING REPORT

No. 50

Well BIRCH TTB-34

CONTRACTOR PARKER DRILLING

RIG No. 10

Approved

Date 4/23/65

WORK RECORD 12-8 TOUR

FROM TO FOOTAGE HRS. SIZE

Tour 1 Midnite to 8 A.M. Hrs.

TRAIL PUMPING OUT LOGS AND SHUT TO FORMATION
PALEW VOLUME OF MUD

DRILLED 4756 4973 37 7 3/8
REAMED
CORED

DRILLER F. FREMP 12
DERRICK P. WHEELER 12
MOTORMAN J. HULLMAN 12
FLOORMAN W. RYKS 12
FLOORMAN V. HACKETT 12
FIREMAN

Close ~~Blind~~ Blind Rams

TALLY BIT RECORD

45' FILL TO BOTTOM
HOLE

No. LENGTH BIT No. SIZE
44 STANDS 443.52 1 1/2
1 SINGLE 30.75 MAKE SEC
27 D.C.'s 27.11 TYPE H7
520 SERIAL 73120
JET SIZE
FROM 4756
TO 4973
FOOTAGE 37
HRS. 4
COND. 1/20

REMARKS AND INJURIES:

8 HOURS TO EQUIPMENT AND AS TRIP

CONTRACTOR'S TIME CO'S TIME 8-4 TC

FROM TO FOOTAGE HRS. SIZE

Tour 2 8 A.M. to 4 P.M. Hrs.

DRILLED
REAMED
CORED

DRILLER S. WATSON 12 HC
DERRICK E. H. FROST 12 HC
MOTORMAN H. H. HUSCHMART 12 HC
FLOORMAN H. H. HUSCHMART 12 HC
FIREMAN

TALLY BIT RECORD

No. LENGTH BIT No. SIZE
STANDS
SINGLE
D.C.'s
KELLY IN
TOTAL HRS.
RAT HOLE TOP COND.

REMARKS AND INJURIES:

CONTRACTOR'S TIME CO'S TIME 4-12 TOUR

FROM TO FOOTAGE HRS. SIZE

Tour 3 4 P.M. to Midnite Hrs.

CLOSE PIPE RAMS.
10 lb.
BIT
CLEAN TO BOTTOM.

DRILLED 4715 5021 118 3 1/2 8 3/8
REAMED
CORED

DRILLER G. BARNHURST 12
DERRICK W. RYKS 12
MOTORMAN J. FRAZ 12
FLOORMAN D. FLEENER 12
FLOORMAN H. H. HUSCHMART 12
FIREMAN

TALLY BIT RECORD

No. LENGTH BIT No. SIZE
46 STANDS 485.07 1 1/2 8 3/8
SINGLE MAKE SEC. 1118
D.C.'s 27.11 TYPE H7 OWC
520 SERIAL 73120 67713
JET SIZE 2 1/2 COND
FROM 4736 5021
TO 5021
FOOTAGE 35
HRS. 1 3/4
COND.

REMARKS AND INJURIES:

CONTRACTOR'S TIME CO'S TIME

MIN EQUIPMENT FAILURES TIME LOST APPROVED

CALGARY OFFICE

SOCONY MOBIL OIL OF CANADA, LTD.

DAILY DRILLING REPORT

FIELD or AREA: EAGLE PLAINS WELL NAME & No. BIRCH YTB-34 CONTRACTOR PARKER DRILLING

TIME	MUD RECORD				BIT WT. M	TABLE RPM	PUMP		DEVIATION		START	STOP	HRS.	WORK RECORD	12-8 TOUR
	WT.	VISC.	W.L.	F.C.			SPM	PRESS	DEPTH	DEG.					
2 A.M.											12:00	12:45	3/4	WORK ON BRK LINKAGE	
4 A.M.											12:45	1:15	1/2	TRIP OUT	
6 A.M.											1:15	1:45	1/2	RECOVER CURE SERVICE BBL	
8 A.M.											1:45	2:00	1/4	RIG SERVICE CLOSE BLIND FRIS	
											2:00	3:30	1 1/2	TRIP IN	
											3:30	6:00	2 1/2	CLEAN OUT 38' FILL	
											6:00	7:45	1 7/8	REWIN 6 3/8 RATHOLE TO 8 3/8	
											7:45	12:00	4 1/4	DRLG 8 3/8 HOLE	
LBS. Added: 3000 KIND: GEL											BOP Tested <input checked="" type="checkbox"/>		DRILLER: <u>J. King</u>	CONTRACTOR'S TIME	CO.'S TIME
LBS. Added: 150 KIND: Peltex															
LBS. Added: 50 KIND: CMC															
LBS. Added: 100 KIND: CAUSTIC															
LBS. Added: 50 KIND: SOLTex															

TIME	MUD RECORD				BIT WT. M	TABLE RPM	PUMP		DEVIATION		START	STOP	HRS.	WORK RECORD	8-4 TOUR
	WT.	VISC.	W.L.	F.C.			SPM	PRESS	DEPTH	DEG.					
10 A.M.															
NOON															
2 P.M.															
4 P.M.															
LBS. Added: 3000 KIND: GEL											BOP Tested <input checked="" type="checkbox"/>		DRILLER: <u>J. King</u>	CONTRACTOR'S TIME	CO.'S TIME
LBS. Added: 150 KIND: Peltex															
LBS. Added: 50 KIND: CMC															
LBS. Added: 100 KIND: CAUSTIC															
LBS. Added: 50 KIND: SOLTex															

TIME	MUD RECORD				BIT WT. M	TABLE RPM	PUMP		DEVIATION		START	STOP	HRS.	WORK RECORD	4-12 TOUR
	WT.	VISC.	W.L.	F.C.			SPM	PRESS	DEPTH	DEG.					
6 P.M.											12:00	6:15	6 1/4 DRLG 8 3/8" HOLE.		
8 P.M.											6:15	6:30	1/4 RIG SERVICE + CLOSE 114" L.		
10 P.M.											6:30	11:00	1/4 DRLG 8 3/8" HOLE		
12 P.M.											11:00	11:15	1/4 RIG SERVICE + CLEAN DROP SURVEY		
											11:15	12:00	1/4 TRIP OUT LAMP OUT 2 SINGLES		
LBS. Added: 3800 KIND: GEL											BOP Tested <input checked="" type="checkbox"/>		DRILLER: <u>J. King</u>	CONTRACTOR'S TIME	CO.'S TIME
LBS. Added: 150 KIND: Peltex															
LBS. Added: 100 KIND: CMC															
LBS. Added: 100 KIND: CAUSTIC															
LBS. Added: 100 KIND: SODA ASH															

FORMATION TOOK ON 175' BBL. DRILL MUD.

CASING TESTED TO _____ PSI. MIN. FORMATION TESTED _____ PSI. MIN. EQUIPMENT FAILURES _____
 RIG FUEL CONSUMPTION _____ GALS BOILER FUEL CONSUMPTION _____ GALS WIRELINE TON MILE _____ TOOL PUSHER: llh

BIL OIL OF CANADA, LTD.

DATE 2/11/65

No. 119 DAILY TIME SHEET

LOGGING REPORT

No. 44

Well BIRCH YTB-34

CONTRACTOR PARKER DRILLING

RIG No. 10

Approved

Date 2/5/65

WORK RECORD

12 - 8 TOUR

FROM TO FOOTAGE HRS. SIZE

DRILLED	4897	4908	11	4 1/2	8 7/8
REAMED	4893	4897	4	1 3/4	8 7/8
CORED					

Tour 1 Midnite to 8 A.M. Hrs.

DRILLER	F. KEMP	12
DERRICK	P. PUGH	12
MOTORMAN	L. HOUK	12
FLOORMAN	W. RISS	12
FLOORMAN	V. HICKET	12
FIREMAN		

WE LINKAGE

SERVICE BBL
CLOSE BLIND RINGS

38' FILL
5 HOLE TO 8 7/8

TALLY

BIT RECORD

No.	LENGTH	BIT No.	63
STANDS	3972.41	SIZE	8 7/8
SINGLE	61.11	MAKE	KEEN
D.C.'s	844.11	TYPE	YCG-R.R.
	520	SERIAL	501254
		JET SIZE	OUT
		FROM	4897
		TO	4908
KELLY IN	24.27	FOOTAGE	11
TOTAL	4908	HRS.	4 1/2
RAT HOLE TOP		COND.	D.R.L.G.

REMARKS AND INJURIES.

CONTRACTOR'S TIME

CO'S TIME

8 - 4 TOUR

FROM TO FOOTAGE HRS. SIZE

DRILLED					
REAMED					
CORED					

Tour 2 8 A.M. to 4 P.M. Hrs.

DRILLER	S. WATSON	12 HC
DERRICK	F.H. TREGASKIS	12 HC
MOTORMAN	J. PAUL	12 CA
FLOORMAN	H. KRUSHCHAK	12 PICH
FLOORMAN		
FIREMAN		

TALLY

BIT RECORD

No.	LENGTH	BIT No.	
STANDS		SIZE	
SINGLE		MAKE	
D.C.'s		TYPE	
		SERIAL	
		JET SIZE	
		FROM	
		TO	
KELLY IN		FOOTAGE	
TOTAL		HRS.	
RAT HOLE TOP		COND.	

REMARKS AND INJURIES.

CONTRACTOR'S TIME

CO'S TIME

4 - 12 TOUR

FROM TO FOOTAGE HRS. SIZE

DRILLED	4708	4726	18	4 1/2	8 7/8
REAMED					
CORED					

Tour 3 4 P.M. to Midnite Hrs.

DRILLER	L. BURGESS	12
DERRICK	J. WOODS	12
MOTORMAN	J. FLEMING	12
FLOORMAN	D. HEBNER	12
FLOORMAN	H. BROOKS	12
FIREMAN		

hole.
+ Close Hydril.
hole

Drop Survey
Pump Out 3 Singles.

TOOK ON 175 B61.
MUD.

TALLY

BIT RECORD

No.	LENGTH	BIT No.	63
STANDS	4263.82	SIZE	8 7/8
SINGLE		MAKE	KEEN
D.C.'s	844.11	TYPE	YCG.
	520	SERIAL	501254
		JET SIZE	OUT
		FROM	4708
		TO	4726
KELLY IN		FOOTAGE	18
TOTAL		HRS.	13
RAT HOLE TOP		COND.	2-3-1

REMARKS AND INJURIES.

CONTRACTOR'S TIME

CO'S TIME

MIN EQUIPMENT FAILURES

TIME LOST

TON MILE

TOOL PUSHER:

APPROVED:

CALGARY OFFICE

SOCONY MOBIL OIL OF CANADA, LTD.
CORE REPORT

CONTRACTOR PURKER DRUG AREA Edgley Plains LOCATION BIRCH #1 VT B 34
THIS SECTION TO BE FILLED AT THE WELL

DATE	CORE NO.	DEPTH CORE		FOOTAGE CORED	TIME			% RECO. VERY	CORE BIT				BARREL		PUMP		TABLE RPM	FOOTAGE CORED	HRS CORING	ACCUMULATED TO
		FROM	TO		START	STOP	NO. CORING		NO.	MAKE	SIZE	TYPE	SER. NO.	TYPE	NO.	SPM				
MAY 7	7	4893	4894	1	5:55	6:58	83	62	CHRIST	6 1/8	◇	EC1506			43	700	65	4000		
10/65		4894	4895	2	6:58	8:07	69								43	700	65	8000		
		4895	4896	3	8:07	9:27	80								43	725	65	8000		
		4896	4897	4	9:27	10:22	65								43	725	65	8000		

RECORDED 4'

[Handwritten signature]

DISTRIBUTION: WHITE - TO CALGARY OFFICE YELLOW - TO FIELD OFFICE

CORE REPORT

WELL NAME & NO. BIRCH 17A-34

LOCATION BIRCH #1 YTB-34 WELL NAME & NO. BIRCH 17A-34

THIS SECTION TO BE FILLED AT THE FIELD OFFICE

R. NO.	BARREL		PUMP		TABLE RPM	ACCUMULATED				FORMATION CORED	REMARKS	THIS COLUMN TO BE FILLED FOR & SENT TO THE ACCOUNTING DEPT
	TYPE	NO.	SPM	PRESS		FOOTAGE CORED	HRS CORING	TOTAL FOOTAGE CORED TO DATE	TOTAL HRS CORED TO DATE			
506			43	700	65	4	000					
			43	700	65	8	000					
			43	725	65	8	000					
			43	725	65	8	000					TOTAL
RECORDED 4'												

SERIAL NO. OF BITS
 FOOTAGE CORED AT THIS WELL
 ACCUMULATED FOOTAGE TO DATE
 SERIAL NO. OF CORE BARREL USED
 ACCUMULATED FOOTAGE CORED PER BARREL
 REMARKS

MAGNET USED BY COMPANY OWNED CONTRACTORS
 DAYS

SOCONY MOBIL OIL OF CANADA, LTD.

DAILY DRILLING REPORT

FIELD or AREA: ENGLE FRINGS WELL NAME & No. ENGLE YTB-34 CONTRACTOR FRANKER DRILLING 12-8 TOUR

TIME	MUD RECORD				BIT WT. M	TABLE RPM	PUMP		DEVIATION		START	STOP	HRS.	WORK RECORD
	WT.	VISC.	W.L.	F.C.			SPM	PRESS	DEPTH	DEG.				
2 A.M.	8958				4 1/2	58	63	1000			12:00	1:30	1 1/2	Chennish To Bottom
4 A.M.	8968				5 1/2	✓	✓	✓			1:30	2:00	7 1/2	DRILL 5 7/8 HOLE
6 A.M.	8980	4.3	3/2		✓	✓	✓	✓			2:00	2:45	3/4	SERVICE PIPE & HYDRANT
8 A.M.	8978				✓	✓	✓	✓			2:45	3:15	3/4	DRILL 5 7/8 HOLE
											3:15	3:20	1 1/2	CORE TO CORE
											3:20	3:45	1 1/2	FULL 5500S HOLE TIGHT? THAT IS
											3:45	4:00	3/4	CHEN 5' FILL CORE CONSTRUCTION HOLE

LINER SIZE: _____ STROKE _____

MUD & CHEMICALS

LBS. Added: _____ KIND _____

10 SKS Sawdust
15 SKS Fiberite
6 SKS Selflake
1600 Gel
100 Cellux
50 Dextrid
50 Soltex

BOP Tested: DRILLER: F. K. J. CONTRACTOR'S TIME _____ CO. TIME _____

TIME	MUD RECORD				BIT WT. M	TABLE RPM	PUMP		DEVIATION		START	STOP	HRS.	WORK RECORD
	WT.	VISC.	W.L.	F.C.			SPM	PRESS	DEPTH	DEG.				
10 A.M.	8977	46	3/2											
NOON														
2 P.M.														
4 P.M.														

LINER SIZE: _____ STROKE _____

MUD & CHEMICALS

LBS. Added: _____ KIND _____

100 CMC.

BOP Tested: _____ DRILLER: _____ CONTRACTOR'S TIME _____ CO. TIME _____

TIME	MUD RECORD				BIT WT. M	TABLE RPM	PUMP		DEVIATION		START	STOP	HRS.	WORK RECORD
	WT.	VISC.	W.L.	F.C.			SPM	PRESS	DEPTH	DEG.				
6 P.M.	8755				4	65	43	700			12:50	1:45	1 1/2	TRIP OUT 2 TRIP PIPE
8 P.M.	8458				8	65	✓	✓			1:45	2:00	1 1/2	TRIP SERVICE & CLOSE BENCH RIMS.
10 P.M.	8756				✓	✓	✓	✓			2:00	2:30	1 1/2	P. EN UP CORE BBL & RUN IN DRILL COLLARS.
12 P.M.											2:30	2:45	3/4	SUP & CUT 60' DRILLING LINE
											2:45	3:00	3/4	TRIP TO W/ CORE BAR.
											3:00	3:30	1 1/2	RETRACTIVE CEMENTS' FILL.
											3:30	4:00	5/8	CUTTING CORE.
											4:00	4:20	1	TRIP OUT

LINER SIZE: 3 1/2 STROKE 150

MUD & CHEMICALS

LBS. Added: _____ KIND _____ LBS. ON HAND _____

100 CMC

BOP Tested: _____ DRILLER: F. K. J. CONTRACTOR'S TIME _____ CO. TIME _____

CASING TESTED TO: _____ PSI MIN. FORMATION TESTED: _____ PSI MIN. EQUIPMENT FAILURES: _____

RIG FUEL CONSUMPTION: _____ GALS BOILER FUEL CONSUMPTION: _____ GALS WIRELINE TON MILE: _____ TOOL PUSHER: _____

MOBIL OIL OF CANADA, LTD.

DATE 11/12/65

No. 418 DAILY TIME SHEET

BILLING REPORT

No. 418

Well ERICH 47B-31

CONTRACTOR PARKER DRILLING

RIG No. 10

Approved

Date 23/12/65

WORK RECORD 12-8 TOUR

FROM TO FOOTAGE HRS. SIZE

Tour 1 Midnite to 8 A.M. Hrs.

Bottom
6 1/2
1/2 HYDRIL
6 1/2
6 1/2
Make Tight Seal In
1 Core Condition Hole

DRILLED 4576 4673 17
REAMED
CORED

DRILLER F. KRAMER 12
DERRICK P. PETERSEN 12
MOTORMAN L. HOLLAND 12
FLOORMAN W. RYKS 12
FLOORMAN V. HANDEL 12
FIREMAN

TALLY BIT RECORD
No. LENGTH BIT No. 61
STANDS 3724 SIZE 8 1/8
SINGLE 61.11 MAKE MTC
DC's 8411 TYPE WTR
520 SERIAL 5492
JET SIZE cut out
FROM 4576
TO 4673
KELLY IN 10.27 FOOTAGE 17
TOTAL 4892 HRS. 9.7
RATHOLE TOP COND

REMARKS AND INJURIES.

CONTRACTOR'S TIME CO'S TIME 8-4 TOUR

FROM TO FOOTAGE HRS. SIZE

Tour 2 8 A.M. to 4 P.M. Hrs.

Strap Pipe
4 Coase Blind Rms.
re B&C RUN IN DRILL COLLARS.
60' DRILLING LINE
Core Bit.
C. ANNOS' FILL.
RE.

DRILLED
REAMED
CORED

DRILLER S. WATSON 12 MC
DERRICK F. TATE-ASHES 12 AC
MOTORMAN J. PINK 12 CA
FLOORMAN H. HANSEN 12 MECH
FIREMAN

TALLY BIT RECORD
No. LENGTH BIT No.
STANDS SIZE
SINGLE MAKE
DC's TYPE
SERIAL
JET SIZE
FROM
TO
KELLY IN FOOTAGE
TOTAL HRS.
RATHOLE TOP COND

REMARKS AND INJURIES.

CONTRACTOR'S TIME CO'S TIME 4-12 TOUR

FROM TO FOOTAGE HRS. SIZE

Tour 3 4 P.M. to Midnite Hrs.

Strap Pipe
4 Coase Blind Rms.
re B&C RUN IN DRILL COLLARS.
60' DRILLING LINE
Core Bit.
C. ANNOS' FILL.
RE.

DRILLED 4893 4897 4 5/8 6 1/8
REAMED
CORED

DRILLER G. LARSEN 12
DERRICK W. RYKS 12
MOTORMAN S. FREY 12
FLOORMAN D. HEBNER 12
FLOORMAN P. BROWN 12
FIREMAN

TALLY BIT RECORD
No. LENGTH BIT No. 62
STANDS 3724 SIZE 6 1/8
SINGLE 61.11 MAKE CHRIST
DC's 8441 TYPE D
520 SERIAL 82506
JET SIZE
FROM 4893
TO 4897
KELLY IN 10.27 FOOTAGE 4
TOTAL 4893 HRS. 2.1
RATHOLE TOP COND

REMARKS AND INJURIES.

MIN EQUIPMENT FAILURES TIME LOST
TOOL PUSHER: [Signature] APPROVED: [Signature]

CALGARY OFFICE

SOCONY MOBIL OIL OF CANADA, LTD.

DAILY DRILLING REPORT

FIELD or AREA: ENGLE PLAINS WELL NAME & No. BIRCH YTB-34 CONTRACTOR PARKER DRILLING

TIME	MUD RECORD				BIT WT. M	TABLE RPM	PUMP		DEVIATION		START	STOP	HRS.	WORK RECORD	12-8 TOUR
	WT.	VISC.	W.L.	F.C.			SPM	PRESS	DEPTH	DEG.					
2 A.M.											12:00	12:30	1/2	TRIP OUT	
											12:30	12:45	1/4	SERVICE RIG CLOSE BLIND RAMMS	
4 A.M.	8957	4.7	2 1/2	55	58	63	1050				12:45	2:00	1 1/4	TRIP IN	
6 A.M.	8956										2:00	2:30	1/2	BREAK CIRC CLEAN 20' FILL TO BOTTOM	
8 A.M.	9057				55	58					2:30	12:00	9 1/2	DRUG 8 3/8 HOLE	

LINER SIZE: _____ STROKE _____
 MUD & CHEMICALS
 LBS. Added: 500 Gel, 25 Celltex, 100 Carbonox, 50 SolTex, 50 Lignox, 50 Caustic, 50 CMC.
 KIND: _____

BOP Tested DRILLER: J. Kury CONTRACTOR'S TIME _____ CO'S TIME _____

TIME	MUD RECORD				BIT WT. M	TABLE RPM	PUMP		DEVIATION		START	STOP	HRS.	WORK RECORD	8-4 TOUR
	WT.	VISC.	W.L.	F.C.			SPM	PRESS	DEPTH	DEG.					
10 A.M.	9052	5.0	3 1/2												
NOON	9050														
2 P.M.	1050				55	58	63	1050							
4 P.M.	TRIP														

LINER SIZE: _____ STROKE _____
 MUD & CHEMICALS
 LBS. Added: _____ KIND: _____
CLEAN SHAKER TANK

BOP Tested _____ DRILLER: _____ CONTRACTOR'S TIME _____ CO'S TIME _____

TIME	MUD RECORD				BIT WT. M	TABLE RPM	PUMP		DEVIATION		START	STOP	HRS.	WORK RECORD	4-12 TOUR
	WT.	VISC.	W.L.	F.C.			SPM	PRESS	DEPTH	DEG.					
6 P.M.	TRIP										12:00	2:15	2 1/4	DRUG 8 3/8 HOLE.	
8 P.M.											2:15	2:45	1	TRIP OUT REAM UP THROUGH LEDGE 1260	
											2:45	3:45	1/2	REPAIR LOW TENSIONAL CHAIN	
10 P.M.											3:45	4:15	1/2	TRIP OUT.	
											4:15	6:30	1 1/4	RIG SERVICE + CLOSE BLIND RAMMS.	
12 P.M.					75	58	80				6:30	6:30	1	TRIP IN w/ BIT & GEL	
											6:30	7:30	2	BREAK CIRC BIT PLUGGED.	
											7:30	12:00	4 1/2	CLEAN 150' FILL.	

LINER SIZE: 6 1/2 STROKE: 15"
 MUD & CHEMICALS
 LBS. Added: 500 GEL, 600 PELTEX, 150 CAUSTIC, 450 SOLTEX, 100 CARBONOX, 200 CELLEX, 20 SKS MICA, 10 SKS SAWDUST
 KIND: _____

LOST APPROX 200 GALS MUD INTO FORMATION.

BOP Tested DRILLER: D. [unclear] CONTRACTOR'S TIME _____ CO'S TIME _____

CASING TESTED TO _____ PSI MIN. FORMATION TESTED _____ PSI MIN. EQUIPMENT FAILURES _____

RIG FUEL CONSUMPTION _____ GALS BOILER FUEL CONSUMPTION _____ GALS WIRELINE TON MILE _____ TOOL PUSHER: _____

OBIL OIL OF CANADA, LTD.

DATE *May 19, 65*

No. *47* DAILY TIME SHEET

ILLING REPORT

No. *47*

Well *BIRCH YTB-34*

34 CONTRACTOR *PARKER DRILLING*

RIG No. *10*

Approved _____ Date *19/5/65*

WORK RECORD *12 - 8 TOUR*

FROM *4812* TO *4870* FOOTAGE *58* HRS. *9 1/2* SIZE *8 3/8*

Tour 1 Midnite to 8 A.M. Hrs.

Close Blind Rams

DRILLED
REAMED
CORED

DRILLER *F BREMP 12*
DERRICK *P PAULICH 12*
MOTORMAN *L HOULAHAN 12*
FLOORMAN *W RYKS 12*
FLOORMAN *V HACHEY 12*
FIREMAN

Clean 20' Fill to Bottom

TALLY BIT RECORD

NOTE

No.	LENGTH	BIT No.	SIZE	MAKE	TYPE	SERIAL	JET SIZE	FROM	TO
<i>43</i>	<i>3972.31</i>	<i>60</i>	<i>8 3/8</i>	<i>HTC</i>	<i>OWC</i>	<i>59020</i>	<i>Corl</i>	<i>4812</i>	
<i>1</i>	<i>29.82</i>								
<i>27</i>	<i>844.11</i>								
	<i>5.20</i>								

KELLY IN *18.56* FOOTAGE
TOTAL *4870* HRS.
RAT HOLE TOP COND.

REMARKS AND INJURIES:

CONTRACTOR'S TIME

CO'S TIME

8 - 4 TOUR

FROM TO FOOTAGE HRS. SIZE

Tour 2 8 A.M. to 4 P.M. Hrs.

CONTRACTOR'S TIME

CO'S TIME

4 - 12 TOUR

FROM TO FOOTAGE HRS. SIZE

Tour 3 4 P.M. to Midnite Hrs.

*Run Up Through Ledger 2160
Formation Chain*

DRILLED
REAMED
CORED

DRILLER *G BROWN 12*
DERRICK *W F JAS 12*
MOTORMAN *J PREY 12*
FLOORMAN *D THEBNER 12*
FIREMAN *H BROOKS 12*

Close Blind Rams.

*Bit # 61
Bit Plugged.
Fill.*

TALLY BIT RECORD

No.	LENGTH	BIT No.	SIZE	MAKE	TYPE	SERIAL	JET SIZE	FROM	TO
<i>43</i>	<i>3972.31</i>	<i>60</i>	<i>61</i>	<i>HTC</i>	<i>HTC</i>	<i>59020</i>	<i>5 1/2</i>	<i>4870</i>	
<i>1</i>	<i>29.82</i>								
<i>29</i>	<i>844.11</i>								
	<i>5.20</i>								

KELLY IN *17.56* FOOTAGE
TOTAL *4870* HRS. *64*
RAT HOLE TOP COND. *2-24*

REMARKS AND INJURIES:

Run 6664 Mud INTO FORMATION.

CONTRACTOR'S TIME

CO'S TIME

MIN

EQUIPMENT FAILURES

TIME LOST

TON MILE

TOOL PUSHER: _____

APPROVED: *[Signature]*

CALGARY OFFICE

SOCONY MOBIL OIL OF CANADA, LTD.

DAILY DRILLING REPORT

FIELD or AREA: ENGLE PRAIRIES WELL NAME & No. BIRCH YTD-34 CONTRACTOR THORPE DRILLING

WORK RECORD

12-8 TOUR

TIME	MUD RECORD				BIT WT. M	TABLE RPM	PUMP		DEVIATION		START	STOP	HRS.	
	WT.	VISC.	W.L.	F.C.			SPM	PRESS	DEPTH	DEG.				
2 A.M.	89	62	5.3	32	50	38	56	800			4:30	5:15	4 1/2	DRILL 8 3/8" HOLE
4 A.M.	88	62									5:15	6:00	3/4	TRIP OUT
6 A.M.											6:00	6:45	3/4	INSTALL NEW LOW DRIVE CHAIN IN DRUMWORKS
8 A.M.											6:45	7:00	1/4	TRIP OUT
											7:00	8:00	1	RIG SERVICE CLOSE BLIND PIPES
											8:00	8:15	1/4	TRIP IN
											8:15	12:00	3 3/4	BRING CORE CLEAN 10' TO BOTTOM
														DRILL 8 3/8" HOLE

LINER SIZE: _____ STROKE _____
 MUD & CHEMICALS
 LBS. Added: 700 Gel, 50 Cellex, 50 Caustic, 25 Dextrid.

BOP Tested: DRILLER: A. Krump CONTRACTOR'S TIME _____ CO'S TIME _____

8-4 TOUR

TIME	MUD RECORD				BIT WT. M	TABLE RPM	PUMP		DEVIATION		START	STOP	HRS.	
	WT.	VISC.	W.L.	F.C.			SPM	PRESS	DEPTH	DEG.				
10 A.M.	89	62	4.7	32	55	56	62	1000						
NOON	88	63												
2 P.M.	89	63												
4 P.M.	89	60	5.2											

LINER SIZE: _____ STROKE _____
 MUD & CHEMICALS
 LBS. Added: _____ KIND _____

BOP Tested: _____ DRILLER: _____ CONTRACTOR'S TIME _____ CO'S TIME _____

4-12 TOUR

TIME	MUD RECORD				BIT WT. M	TABLE RPM	PUMP		DEVIATION		START	STOP	HRS.	
	WT.	VISC.	W.L.	F.C.			SPM	PRESS	DEPTH	DEG.				
6 P.M.	89	59			50	58	63	1000	4.5	1/2	12:00	12:25	1/4	Drilling 8 3/8" hole
8 P.M.	89	57									1:45	2:00	1/4	Rig service + Close 4 1/2" pipes
10 P.M.	89	55									2:00	2:20	1/4	Drilling 8 3/8" hole
12 P.M.											11:00	11:10	1/4	Drill survey
											11:10	12:00	1/4	TRIP OUT

LINER SIZE: 6 1/2" STROKE: 15"
 MUD & CHEMICALS
 LBS. Added: 600 GEL, 150 PELTEX, 100 CMIC, 100 SODA ASH, 100 LIGNOX, 100 CARBONOX, 50 SOLTEX. ON HAND: CAUSTIC 50#

BOP Tested: _____ DRILLER: R. Johnson CONTRACTOR'S TIME _____ CO'S TIME _____

CASING TESTED TO: _____ PSI. MIN. FORMATION TESTED: _____ PSI. MIN. EQUIPMENT FAILURES: _____
 RIG FUEL CONSUMPTION: _____ GALS. BOILER FUEL CONSUMPTION: _____ GALS. WIRELINE TON MILE: _____ TOOL PUSHER: _____

MOBIL OIL OF CANADA, LTD.

DATE May 18, 65

No. 46 DAILY TIME SHEET

DRILLING REPORT

No. 46

Well BIRCH YTC-34

34 CONTRACTOR PARKER DRILLING

RIG No. 10

Approved _____ Date 18/5/65

WORK RECORD

12-8 TOUR

FROM TO FOOTAGE HRS. SIZE

Tour 1 Midnite to 8 A.M. Hrs.

10 1/2

DRILLED 4678 1701 23 8 7/8
REAMED
CORED

DRILLER F KNEIP 12
DERRICK P PAULSEN 12
MOTORMAN A HOLLAND 12
FLOORMAN W RYKS 12
FLOORMAN V HACHEY 12
FIREMAN

Low Drive Chain 1st Driftworks

TALLY BIT RECORD

Close Blind Pumps

No. LENGTH BIT No. SIZE
STANDS 315736 SIZE 5 7/8 5 7/8
SINGLE 3044 MAKE SEC HTC
D.C.'s 844.11 TYPE HRS OWC
520 SERIAL 79216 59016
JET SIZE Out. Con.
FROM 453 4687
TO 4687 4701
KELLY IN 33.84 FOOTAGE 34 14
TOTAL 7 HRS. 10 1/2 3 1/4
RAT HOLE TOP COND 1-1-1 DRILL

REMARKS AND INJURIES.

CONTRACTOR'S TIME

CO'S TIME

8-4 TOUR

FROM TO FOOTAGE HRS. SIZE

Tour 2 8 A.M. to 4 P.M. Hrs.

DRILLED
REAMED
CORED

DRILLER S WATSON 12 H.
DERRICK EL TREGASKIS 12 AC
MOTORMAN T PAUL 12 SA
FLOORMAN H HROUSHENAK 12 MECH
FLOORMAN
FIREMAN

TALLY BIT RECORD

No. LENGTH BIT No. SIZE
STANDS
SINGLE
D.C.'s
TYPE
SERIAL
JET SIZE
FROM
TO
KELLY IN
TOTAL
RAT HOLE TOP

REMARKS AND INJURIES.

CONTRACTOR'S TIME

CO'S TIME

4-12 TOUR

FROM TO FOOTAGE HRS. SIZE

Tour 3 4 P.M. to Midnite Hrs.

1/8" Hole
1 1/2" + Close 4 1/2 Rands.
1/8" Hole.
17

DRILLED 4701 4210 111 10 1/2 7 3/8
REAMED
CORED

DRILLER G. BARNHART 12
DERRICK W. RYKS 12
MOTORMAN J. FREY 12
FLOORMAN D. HEBNER 12
FLOORMAN H. BROOKS 12
FIREMAN

TALLY BIT RECORD

No. LENGTH BIT No. SIZE
STANDS 246 SIZE 5 7/8
SINGLE 246 MAKE HTC
D.C.'s 844.11 TYPE OWC
520 SERIAL 8006
JET SIZE 600
FROM 4687
TO 4812
KELLY IN 10.69 FOOTAGE 125
TOTAL 1812 HRS. 1 1/2
RAT HOLE TOP COND 3-1-1

REMARKS AND INJURIES.

SL. MIN. EQUIPMENT FAILURES TIME LOST

LINE TON MILE

TOOL PUSHER: _____

APPROVED: _____

CALGARY OFFICE

CORE REPORT

CONTRACTOR PARKER

AREA EAGLE PLAINS

LOCATION BIRCH YTB-34

THIS SECTION TO BE FILLED AT THE WELL

DATE	CORE NO.	DEPTH CORED		FOOTAGE CORED	TIME			% RECO. VERY	CORE BIT					BARREL		PUMP		TABLE RPM	ACCUMULATED		
		FROM	TO		START	STOP	AVG. CORING		NO.	MAKE	SIZE	TYPE	SER. NO.	TYPE	Q. RATE	SPM	PRESS.		FOOTAGE	HRS	FO. C. TO
11/14	6	4622	4623	1	5:00	6:05	65	56	CHRIST	6 1/2	◇	EC1506	220	42	650	65	3:00				
16/65		4623	4624	2	6:05	6:50	45						✓	43	700	65	6:00				
		4624	4625	3	6:50	7:37	47						✓	43	700	65	8:00				
		4625	4626	4	7:37	8:24	46						✓	43	700	65	8:00				
		4626	4627	5	8:24	9:12	48						✓								
		4627	4628	6	9:12	10:15	63						✓								
		4628	4629	7	10:15	11:19	64						✓								
		4629	4630	8	11:19	12:45	85						✓								
		4630	4631	12	12:45	1:51	66						✓								

RECORDED S.

CORE REPORT

CONTRACTOR PARKER

AREA EAGLE PLAINS

LOCATION BIRCH YTB-34

THIS SECTION TO BE FILLED AT THE WELL

DATE	CORE NO.	DEPTH CORED		FOOTAGE CORED	TIME			% RECO. VERY	CORE BIT					BARREL		PUMP		TABLE RPM	ACCUMULATED		
		FROM	TO		START	STOP	AVG. CORING		NO.	MAKE	SIZE	TYPE	SER. NO.	TYPE	Q. DR.	SPM	PRESS.		FOOTAGE CORING	HRS. CORING	FO. C. TO
11/14	6	4622	4623	1	5:00	6:05	65	56	CHRIST	6 1/2	◇	EC1506	220	42	650	65	3:00				
16/65		4623	4624	2	6:05	6:50	45						✓	43	700	65	6:00				
		4624	4625	3	6:50	7:37	47						✓	43	700	65	8:00				
		4625	4626	4	7:37	8:24	46						✓	43	700	65	8:00				
		4626	4627	5	8:24	9:12	48						✓								
		4628	4628	6	9:12	10:15	63						✓								
		4628	4629	7	10:15	11:19	64						✓								
		4629	4630	8	11:19	12:45	85						✓								
		4630	4631	12	12:45	1:51	66						✓								

RECORDED S.

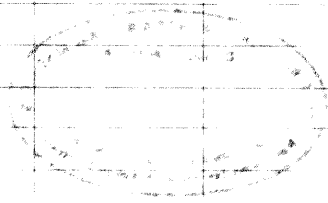
CORE REPORT

WELL NAME & NO. BIRCH 47B-34

LOCATION BIRCH 47B-34 WELL NAME & NO. BIRCH 47B-34
 THIS SECTION TO BE FILLED AT THE FIELD OFFICE

SER. NO.	BARREL		PUMP		TABLE RPM	ACCUMULATED				FORMATION CORED	REMARKS	THIS COLUMN TO BE FILLED FOR & SENT TO THE ACCOUNTING DEPT.
	TYPE	CMH	SPM	PRESS		FOOTAGE CORING	HRS CORING	TOTAL FOOTAGE CORED TO DATE	TOTAL HRS CORED TO DATE			
001506		220	42	650	65	3 ⁰⁰						
	✓	43	700	65	6 ⁰⁰							
	✓	43	700	65	8 ⁰⁰							
	✓	43	700	65	8 ⁰⁰							TOTAL
	✓	✓	✓	✓	✓							
	✓	✓	✓	✓	✓							
	✓	✓	✓	✓	✓							
	✓	✓	✓	✓	✓							
	✓	✓	✓	✓	✓							

RECOVERED 8.75"



SERIAL NO. OF BITS _____
 FOOTAGE CORED AT THIS WELL _____
 ACCUMULATED FOOTAGE TO DATE _____
 SERIAL NO. OF CORE BARREL USED _____
 ACCUMULATED FOOTAGE CORED PER BARREL _____
 REMARKS _____
 MAGNET USED _____ COMPANY OWNED _____ DAYS
 CONTRACTORS _____ DAYS

SOCONY MOBIL OIL OF CANADA, LTD.

DAILY DRILLING REPORT

FIELD or AREA: EAGLE PLAINS WELL NAME & No. BIRCH YTB-34 CONTRACTOR PARKER DRILLING

TIME	MUD RECORD				BIT WT. M	TABLE RPM	PUMP		DEVIATION		START	STOP	HRS.	WORK RECORD	12-8 TOUR
	WT.	VISC.	W.L.	F.C.			SPM	PRESS	DEPTH	DEG.					
2 A.M.	88	69			8	65					1200	210	2	CUT CORE #6	
4 A.M.											200	330	15	TRIP OUT	
6 A.M.	88	71	49	32	10	70					330	410	7	RECOVER CORE & SERVICE CORE BBL	
8 A.M.	88	75			75	70	56	800			410	415	4	SERVICE RIG CLOSE BLIND RINGS	
											415	530	17	TRIP IN W/ BIT # 57	
											530	645	15	REIN 2 1/2 RIG HOLE TO 8 3/8"	
											645	1200	5 1/4	DRILL 8 3/8" HOLE	

LINER SIZE: _____ STROKE _____

MUD & CHEMICALS

LBS. Added	KIND
400	GEL
25	Cellex
25	Dextrid
100	Carbonox
50	Lignox
50	SOLTEX

BOP Tested DRILLER: J. Krump CONTRACTOR'S TIME _____ CO'S. TIME _____

TIME	MUD RECORD				BIT WT. M	TABLE RPM	PUMP		DEVIATION		START	STOP	HRS.	WORK RECORD	8-4 TOUR
	WT.	VISC.	W.L.	F.C.			SPM	PRESS	DEPTH	DEG.					
10 A.M.	89	72	51	32	55	70	56	800							
NOON															
2 P.M.															
4 P.M.															

LINER SIZE: _____ STROKE _____

MUD & CHEMICALS

LBS. Added	KIND

BOP Tested _____ DRILLER: _____ CONTRACTOR'S TIME _____ CO'S. TIME _____

TIME	MUD RECORD				BIT WT. M	TABLE RPM	PUMP		DEVIATION		START	STOP	HRS.	WORK RECORD	4-12 TOUR
	WT.	VISC.	W.L.	F.C.			SPM	PRESS	DEPTH	DEG.					
6 P.M.	89	60	54	32	50	38	56	800			1200	145	1 3/4	DRILL 8 5/8" HOLE	
8 P.M.	89	55									145	315	1 1/2	TRIP OUT	
10 P.M.	89	59	56	32							315	330	1 1/4	RIG SERVICED CLOSE BLIND RINGS	
12 P.M.											330	430	1	TRIP IN W/ BIT	
											430	615	1 3/4	BREAK CORE & CLEAN 20' FILL	
											615	1200	5 3/4	DRILL 8 5/8" HOLE	

LINER SIZE: 6 1/2 STROKE 12

MUD & CHEMICALS

LBS. Added	KIND	LBS.	ON HAND
800	GEL		
150	PRATEX		
100	CARBONOX		
50	CANSTIC		
50	SOLTEX		
50	CELLEX		
100	LIGNOX		

BOP Tested _____ DRILLER: _____ CONTRACTOR'S TIME _____ CO'S. TIME _____

CASING TESTED TO: _____ PSI. MIN. FORMATION TESTED: _____ PSI. MIN. EQUIPMENT FAILURES _____

RIG FUEL CONSUMPTION _____ GALS BOILER FUEL CONSUMPTION _____ GALS WIRELINE TON MILE _____ TOOL PUSHER: _____

MOBIL OIL OF CANADA, LTD.

DATE Nov 17, 65

No. 45 DAILY TIME SHEET 135

DRILLING REPORT

No. 45

Well BIRCH YFB-34

34 CONTRACTOR PURKER DRILLING

RIG No. 10

Approved _____

Date 17/5/65

WORK RECORD		12 - 8 TOUR			FROM	TO	FOOTAGE	HRS.	SIZE	Tour 1	Midnite to 8 A.M.	Hrs.
6		DRILLED	4631	4649	18	5 1/2	8 3/8		DRILLER	<u>E. KREMP</u>	12	
		REAMED	4622	4631	9	1 1/2			DERRICK	<u>P. LINGERICH</u>	12	
		CORED	4629	4631	2	2			MOTORMAN	<u>J. HOULAHAN</u>	12	
		TALLY			BIT RECORD				FLOORMAN	<u>W. FRYKS</u>	12	
		No.	LENGTH	BIT No.	56	57			FLOORMAN	<u>V. HACHET</u>	12	
		40	STANDS 3700.72	SIZE	6 3/8	8 3/8			FIREMAN			
		2	SINGLE 60.25	MAKE	CONS. HTC				REMARKS AND INJURIES:			
		29	D.C.'s 844.11	TYPE	D OWC							
			520	SERIAL	EC1576							
				JET SIZE	Con							
				FROM	4622	4631						
				TO	4631	4649						
				FOOTAGE	9	18						
				HRS.	9	5 1/2						
				COND.	New 244							
				KELLY IN	41.32							
				TOTAL	4819							
				RAT HOLE TOP								

CONTRACTOR'S TIME		CO'S TIME		8 - 4 TOUR			FROM	TO	FOOTAGE	HRS.	SIZE	Tour 2	8 A.M. to 4 P.M.	Hrs.
				DRILLED								DRILLER	<u>STAN WATSON</u>	12 HC
				REAMED								DERRICK	<u>EH TRINASKIS</u>	12 AC
				CORED								MOTORMAN	<u>J. PAUL</u>	12 EA
				TALLY	BIT RECORD							FLOORMAN	<u>H. KRUSHENARTZ</u>	12 MECH
				No.	LENGTH	BIT No.						FLOORMAN	<u>B. HUETER</u>	8 STANDS
				40	STANDS 3700.72	SIZE						FIREMAN		
				2	SINGLE 60.25	MAKE						REMARKS AND INJURIES:		
				29	D.C.'s 844.11	TYPE								
				520	SERIAL									
					JET SIZE									
					FROM									
					TO									
					FOOTAGE									
					HRS.									
					COND.									
					KELLY IN									
					TOTAL									
					RAT HOLE TOP									

CONTRACTOR'S TIME		CO'S TIME		4 - 12 TOUR			FROM	TO	FOOTAGE	HRS.	SIZE	Tour 3	4 P.M. to Midnite	Hrs.
				DRILLED	4649	4678	29	7 1/2	8 3/8			DRILLER	<u>G. BURKHART</u>	12
				REAMED								DERRICK	<u>W. RINAS</u>	12
				CORED								MOTORMAN	<u>J. PACEY</u>	12
				TALLY	BIT RECORD							FLOORMAN	<u>D. HEBNER</u>	12
				No.	LENGTH	BIT No.	58	58	8 3/8			FLOORMAN	<u>H. BROOKS</u>	12
				40	STANDS 3700.72	SIZE	8 3/8	8 3/8				FIREMAN		
				2	SINGLE 60.25	MAKE	HTC JFC					REMARKS AND INJURIES:		
				29	D.C.'s 844.11	TYPE	OWC 118-5							
				520	SERIAL	62187 798166								
					JET SIZE	Con out								
					FROM	4631	4633							
					TO	4633	4678							
					FOOTAGE	22	25							
					HRS.	7	5 3/4							
					COND.	4-24								
					KELLY IN	41.30								
					TOTAL	4678								
					RAT HOLE TOP									

MIN. EQUIPMENT FAILURES TIME LOST

NE TON MILE TOOL PUSHER: _____ APPROVED: [Signature] CALGARY OFFICE

SOCONY MOBIL OIL OF CANADA, LTD.

DAILY DRILLING REPORT

FIELD or AREA: EAGLE PLAINS WELL NAME & No. LINCH YTB 34 CONTRACTOR PARKER DRILLING

TIME	MUD RECORD				BIT WT. M	TABLE RPM	PUMP		DEVIATION		START	STOP	HRS.	WORK RECORD	12-8 TOUR
	WT.	VISC.	W.L.	F.C.			SPM	PRESS	DEPTH	DEG.					
2 A.M.	88	52.5	9 1/2	32	50	34	56	750			1217 ⁰⁰	1215	3/4	RIG SERVICE ✓ 4 1/2 PIPE RUNS	
4 A.M.					60	34	56	750			1215	1115	1	CHEM TO BOTTOM	
6 A.M.	89	62			60	34	56	750			1130	1130	10 1/4	DRILL 8 3/8 HOLE	
8 A.M.	89	60.5	4 3/4	32	60	34							1/2	CIRC SAMPLES	
LINER SIZE: <u>6 1/2</u> STROKE <u>16"</u> MUD & CHEMICALS LBS. Added: <u>1000 GEL</u> <u>100 CELLTEX</u> <u>100 CMC</u> <u>100 CARBONOX</u>															
BOP Tested <input checked="" type="checkbox"/> DRILLER: <u>Lynch</u> CONTRACTOR'S TIME: _____ CO'S TIME: _____															

TIME	MUD RECORD				BIT WT. M	TABLE RPM	PUMP		DEVIATION		START	STOP	HRS.	WORK RECORD	8-4 TOUR
	WT.	VISC.	W.L.	F.C.			SPM	PRESS	DEPTH	DEG.					
10 A.M.	89	56			60	34	56	750							
NOON	TRIP														
2 P.M.	TRIP														
4 P.M.	TRIP														
LINER SIZE: _____ STROKE _____ MUD & CHEMICALS LBS. Added: _____ KIND _____															
BOP Tested <input checked="" type="checkbox"/> DRILLER: <u>Lynch</u> CONTRACTOR'S TIME: _____ CO'S TIME: _____															

2 TRIP TALLY 46 519.48
 PIPE CORRECTION BOARD TALLY 46 51.78
 CORR 230

TIME	MUD RECORD				BIT WT. M	TABLE RPM	PUMP		DEVIATION		START	STOP	HRS.	WORK RECORD	4-12 TOUR
	WT.	VISC.	W.L.	F.C.			SPM	PRESS	DEPTH	DEG.					
6 P.M.	89	60			8	65	43	650			1240	1245	3/4	CIRC + COND HOLE TO CORE.	
8 P.M.	89	55			8	65	43	700			1245	210	1 1/4	TRIP OUT STRAP PIPE.	
10 P.M.	89	50			8	65	43	700			210	230	1/2	BROKE LATCH ON TONGS REPAIR SAME.	
12 P.M.	89	67.5	4 1/2	32	8	65	43	700			230	300	1/2	TRIP OUT.	
					8	65	43	700			300	315	1/4	RIG SERVICE + CLOSE BLIND RIGS.	
					8	65	43	700			315	430	1 1/4	PICK UP CORE BBL + RUN IN.	
											430	510	1/2	CHANGE CIRC + WIND 10' FILL.	
											500	1200	7	CUT CORE 46.	
LINER SIZE: <u>5 1/2</u> STROKE <u>15"</u> MUD & CHEMICALS LBS. Added: <u>500 GEL</u> <u>150 PELLTEX</u> <u>100 CARBONOX</u> SODA ASH <u>100#</u> <u>50 CAUSTIC</u> LIG. NOX <u>50#</u> <u>50 SOLTEX</u> <u>50 CELLTEX</u> <u>100 CMC</u>															
BOP Tested <input checked="" type="checkbox"/> DRILLER: <u>Lynch</u> CONTRACTOR'S TIME: _____ CO'S TIME: _____															

CASING TESTED TO: _____ PSI. MIN. FORMATION TESTED: _____ PSI. MIN. EQ. PMENT FAILURES: _____
 RIG FUEL CONSUMPTION: _____ GALS BOILER FUEL CONSUMPTION: _____ GALS WIRELINE TON MILE: _____ TOOL PUSHER: 318

OBIL OIL OF CANADA, LTD.

DATE April 16, 65

No. 41 DAILY TIME SHEET

DRILLING REPORT

No. 44

Well BIRCH YTB-31

CONTRACTOR PARKER DRILLING

RIG No. 16

Approved

Date 4/16/65

WORK RECORD

12 - 8 TOUR

FROM TO FOOTAGE HRS. SIZE

Tour 1 Midnite to 8 A.M. Hrs.

4 1/2 Pipe Runs

DRILLED 4575 4624 29 10 7/8
REAMED
CORED

DRILLER F KREMER 12
DERRICK P LIVERMAN 12
MOTORMAN L HOURMANN 12
FLOORMAN W KYK'S 12
FLOORMAN V HINCHET 12
FIREMAN

TOOL
BLE
VES

TALLY BIT RECORD

No. LENGTH BIT No. 55
40 STANDS 370.72 SIZE 8 7/8
2 SINGLE 66.25 MAKE SEC
29 DC's 844.11 TYPE H9-5
5.20 SERIAL 718166
JET SIZE cut
FROM 4575
TO 4624
FOOTAGE 29
KELLY IN 13.52 HRS. 10 1/4
TOTAL 4624 COND.

REMARKS AND INJURIES.

CONTRACTOR'S TIME

CO'S TIME

8 - 4 TOUR

FROM TO FOOTAGE HRS. SIZE

Tour 2 8 A.M. to 4 P.M. Hrs.

DRILLED
REAMED
CORED

DRILLER S WATSON 12 HC
DERRICK B WINTER 12 HC
MOTORMAN T PHIL 12 CA
FLOORMAN H HRAUSHEKAR 12 MECH
FLOORMAN E H PROSSER 12 HC
FIREMAN

5 TRAP TALLY 46519.48
CORRECTION BOARD TALLY 4651.78
CORR 2.30

TALLY BIT RECORD

No. LENGTH BIT No.
STANDS SIZE
SINGLE MAKE
DC's TYPE
SERIAL
JET SIZE
FROM
TO
FOOTAGE
KELLY IN
TOTAL HRS.
RAT HOLE TOP COND.

REMARKS AND INJURIES.

CONTRACTOR'S TIME

CO'S TIME

4 - 12 TOUR

FROM TO FOOTAGE HRS. SIZE

Tour 3 4 P.M. to Midnite Hrs.

10' To Core.

TRAP PIPE.

CONTING'S REPAIR SAME.

CLOSE BLIND PIPES.

BBL + RUN IN.

WHS 10' FILL.

DRILLED
REAMED
CORED

DRILLER G. BARNHURST 12
DERRICK W. KINGS 12
MOTORMAN J. FREY 12
FLOORMAN D. HEBNER 12
FIREMAN H BROOKS 12

TALLY BIT RECORD

No. LENGTH BIT No. 56
40 STANDS 150.00 SIZE 8 1/8
2 SINGLE 1.95 MAKE CHRIST.
27 DC's 175.01 TYPE A
SERIAL 801506
JET SIZE -
FROM 4622
TO 4629
FOOTAGE 7
KELLY IN 21.02 HRS. 7
TOTAL 4629 COND. CORED

REMARKS AND INJURIES.

CONTRACTOR'S TIME

CO'S TIME

MIN.

EQ. PMENT FAILURES

TIME LOST

TON MILE

TOOL PUSHER: [Signature]

APPROVED: [Signature]

CALGARY OFFICE

SOCONY MOBIL OIL OF CANADA, LTD.

DAILY DRILLING REPORT

FIELD or AREA: EAGLE PLAINS WELL NAME & No. BIRCH YTB-34 CONTRACTOR: PARKEA DRILLING

TIME	MUD RECORD				BIT WT. M	TABLE RPM	PUMP		DEVIATION		START	STOP	HRS.	WORK RECORD	12-8 TOUR
	WT.	VISC.	W.L.	F.C.			SPM	PRESS	DEPTH	DEG.					
2 A.M.	90	52	5.8	3/32	60	65	63	650	42	68	7/8	12:00	4:45	4 3/4 DRLG 8 7/8 HOLE	
4 A.M.	89	64	5.9		60	65						4:45	5:00	1/4 DROP SURVEY @ 45' GS	
6 A.M.												5:00	6:30	1 1/2 TRIP OUT	
8 A.M.												6:30	6:45	1/4 RIG SERVICE CLOSE HYDRIL	
												6:45	8:00	1 1/4 TRIP IN	
												8:00	8:15	1/4 BREAK CIR CLEAN 10' TO BOTTOM	
												8:15	12:00	3 1/4 DRLG 8 7/8 HOLE	

LINER SIZE: 6 1/2 STROKE: 12"
 MUD & CHEMICALS:
 LBS. Added: 1000 KIND: Gel
100 Caustic
200 Feltex
~~500~~ Celler
100 Soltex

BOP Tested: DRILLER: F. Kennedy CONTRACTOR'S TIME: _____ CO'S TIME: _____
 LOST APPROX. 50 BBL'S MUD TO FORMATION WHILE WORKING TRIP IN.

TIME	MUD RECORD				BIT WT. M	TABLE RPM	PUMP		DEVIATION		START	STOP	HRS.	WORK RECORD	8-4 TOUR
	WT.	VISC.	W.L.	F.C.			SPM	PRESS	DEPTH	DEG.					
10 A.M.	89	67			50	65	50	600							
NOON	89	57			60	65	56	750							
1 P.M.	89	55			60	65	56	750							
4 P.M.	89	60					50	600							

LINER SIZE: 6 1/2 STROKE: 15"
 MUD & CHEMICALS:
 LBS. Added: _____ KIND: _____

BOP Tested: DRILLER: _____ CONTRACTOR'S TIME: _____ CO'S TIME: _____

TIME	MUD RECORD				BIT WT. M	TABLE RPM	PUMP		DEVIATION		START	STOP	HRS.	WORK RECORD	4-12 TOUR
	WT.	VISC.	W.L.	F.C.			SPM	PRESS	DEPTH	DEG.					
6 P.M.											12:00	12:15	1/4 RIG SERVICE + CLOSE HYDRIL		
8 P.M.											12:15	4:30	1 1/4 DRLG 8 7/8 HOLE		
10 P.M.											4:30	7:45	3/4 TRIP OUT TO GET TIGHT FROM 4410 TO 4250		
12 P.M.											7:45	9:00	1 1/4 TRIP IN w BIT # 85		
											9:00	12:00	3 BREAK LINE + CLEAN 50' FIL.		

LINER SIZE: 6 1/2 STROKE: 15"
 MUD & CHEMICALS:
 LBS. Added: 2100 KIND: GEL
400 PELTET
100 CELLER
100 CAUSTIC
100 CMC

BOP Tested: DRILLER: B. B... CONTRACTOR'S TIME: _____ CO'S TIME: _____

CASING TESTED TO: _____ PSI. MIN. FORMATION TESTED _____ PSI. MIN. EQUIPMENT FAILURES _____
 RIG FUEL CONSUMPTION _____ GALS BOILER FUEL CONSUMPTION _____ GALS WIRELINE TON MILE _____
 TOOL PUSHER: [Signature]

BIL OIL OF CANADA, LTD.

DATE 11/15/65

No. 43 DAILY TIME SHEET 3-35

DRILLING REPORT

No. 43

Well BURCH 4TB-34

CONTRACTOR PARKER DRILLING

RIG No. 10

Approved

Date 11/15/65

WORK RECORD

12 - 8 TOUR

FROM TO FOOTAGE HRS. SIZE

Tour 1 Midnite to 8 A.M. Hrs.

DRILLED 4553 4584 31 8 1/2 8 3/8
REAMED
CORED

DRILLER F KEMP 12
DERRICK P PUELICH 12
MOTORMAN L HOULAHAN 12
FLOORMAN W KYTS 12
FLOORMAN V HACHET 12
FIREMAN

4568
Loose Hydril

TALLY

BIT RECORD

No. LENGTH BIT No. 53 54
STANDS 3700 72 SIZE 8 3/8 8 3/8
SINGLE MAKE HICO HIC
D.C.'s 29 844.11 TYPE WHT W7
520 SERIAL 21711 63938
JET SIZE Cutout Cutout
FROM 4524 4568
TO 4568 4584
FOOTAGE 44 16
KELLY IN HRS. 11 3/4 3 3/4
TOTAL 4584 COND. 2-3-1 Packed

REMARKS AND INJURIES:

50 BOLS Mud to
while down tripping

CONTRACTOR'S TIME

CO's TIME

RAT HOLE TOP

8 - 4 TOUR

FROM TO FOOTAGE HRS. SIZE

Tour 2 8 A.M. to 4 P.M. Hrs.

DRILLED
REAMED
CORED

DRILLER S WATSON 12 HC
DERRICK B HUNTER 12 AC
MOTORMAN I PAUL 12 CA
FLOORMAN H HRUSCHAK 12 MECH
FLOORMAN EH ZIEGERS 12 TRIVEL
FIREMAN

TALLY

BIT RECORD

No. LENGTH BIT No.
STANDS
SINGLE
D.C.'s
KELLY IN
TOTAL
RAT HOLE TOP

REMARKS AND INJURIES:

CONTRACTOR'S TIME

CO's TIME

RAT HOLE TOP

4 - 12 TOUR

FROM TO FOOTAGE HRS. SIZE

Tour 3 4 P.M. to Midnite Hrs.

DRILLED 4584 4592 11 4 1/4 8 3/8
REAMED
CORED

DRILLER G BARNHURST 12
DERRICK W. RINDAS 12
MOTORMAN J. FREY 12
FLOORMAN D. HOEBNER 12
FIREMAN H. BROOKS 12

Loose Hydril
Tight from 4410 to 4250
#55
Clean 50' fill

TALLY

BIT RECORD

No. LENGTH BIT No. 54 55
STANDS 100 12 SIZE 8 3/8 8 3/8
SINGLE 3103 MAKE HIC 560
D.C.'s 29 844.11 TYPE W7 HB-5
520 SERIAL 65456 799066
JET SIZE Cutout Out.
FROM 4568
TO 4585
FOOTAGE 12 17
KELLY IN HRS. 8
TOTAL 4595 COND. 4-1-1

REMARKS AND INJURIES:

EQUIPMENT FAILURES

TIME LOST

ON MILE

TOOL PUSHER: [Signature]

APPROVED: [Signature]

CALGARY OFFICE

SOCONY MOBIL OIL OF CANADA, LTD.

DAILY DRILLING REPORT

FIELD or AREA: EAGLE FRANS WELL NAME & No. BIRCH YTB-34 CONTRACTOR PARKER DRILLING CO.

TIME	MUD RECORD				BIT WT. M	TABLE RPM	PUMP		DEVIATION		START	STOP	HRS.	WORK RECORD
	WT.	VISC.	W.L.	F.C.			SPM	PRESS	DEPTH	DEG.				
2 A.M.	8.9	56	5.6	3/2	50	46	52	600			12 ⁰⁰	12 ¹⁵	1/4	SERVICE RIG ✓ HYDRIN
4 A.M.	8.9	54			50	46	✓	✓			12 ¹⁵	12 ⁴⁵	3/8	FINISH TRIP IN
6 A.M.					55	46	✓	✓			12 ⁴⁵	1 ⁰⁰	1/2	BREAK CIRCL & CLEAN TO BOTTOM
8 A.M.	8.9	55	5.3	3/2	55	46	✓	✓			1 ⁰⁰	12 ⁰⁰	11	DRILL 8 7/8 HOLE

LINER SIZE: _____ STROKE _____

MUD & CHEMICALS

LBS. Added	KIND
3000	GEL
200	FELTEX
200	CARBONACE
100	CELLEX
100	CHASTIL

BOP Tested DRILLER: F. Kennedy CONTRACTOR'S TIME _____ CO'S TIME _____

TIME	MUD RECORD				BIT WT. M	TABLE RPM	PUMP		DEVIATION		START	STOP	HRS.	WORK RECORD
	WT.	VISC.	W.L.	F.C.			SPM	PRESS	DEPTH	DEG.				
10 A.M.	9.0	52			55	46	52	600						
NOON	9.0	63					52	600						
2 P.M.														
4 P.M.														

LINER SIZE: _____ STROKE _____

MUD & CHEMICALS

LBS. Added	KIND

BOP Tested DRILLER: _____ CONTRACTOR'S TIME _____ CO'S TIME _____

WATER

TRIP TALLY 4529.37
 BOARD TALLY 4524.67
 CORRECTION 4.70

Pipe Correction

TIME	MUD RECORD				BIT WT. M	TABLE RPM	PUMP		DEVIATION		START	STOP	HRS.	WORK RECORD
	WT.	VISC.	W.L.	F.C.			SPM	PRESS	DEPTH	DEG.				
6 P.M.	9.0	60	5.4	3/2	50	46	52	600			12 ⁰⁰	1 ³⁰	1 1/2	DRILL 8 7/8" HOLE
8 P.M.	9.0	64			50	65	52	600			1 ³⁰	3 ⁰⁰	1 1/2	TRIP OUT STAMP PIPE
10 P.M.	9.0	60			60	65	53	650			3 ¹⁵	4 ³⁰	1 1/4	RIG SERVICE & CLOSE DRILL RINGS.
12 P.M.	9.0	56	5.6	3/2							4 ³⁰	5 ³⁰	1	TRIP IN
											5 ³⁰	12 ⁰⁰	6 3/4	BREAK CIRCL & REAM & CLEAN TO BOTTOM.
														DRILL 8 7/8" HOLE

LINER SIZE: 6 1/2 STROKE 15"

MUD & CHEMICALS

LBS. Added	KIND	LBS.	ON HAND
1400	GEL		
400	FELTEX		
100	CARBONACE		
100	CELLEX		

BOP Tested DRILLER: B. Brubaker CONTRACTOR'S TIME _____ CO'S TIME _____

lost approx. 60 bbls of mud @ 4534

CASING TESTED TO: _____ PSI. MIN. _____ FORMATION TESTED _____ PSI. MIN. _____ EQUIPMENT FAILURES _____

RIG FUEL CONSUMPTION _____ GALS BOILER FUEL CONSUMPTION _____ GALS WIRELINE TON MILE _____ TOOL PUSHER: ll

OBIL OIL OF CANADA, LTD.

DATE MAY 14, 65

No. 42 DAILY TIME SHEET

DRILLING REPORT

No. 42

Well BIRCH YTB-34

34 CONTRACTOR PARKER DRILLING

RIG No. 10

Approved

Date 5/15/65

WORK RECORD

12-8 TOUR

FROM TO FOOTAGE HRS. SIZE

Tour 1 Midnite to 8 A.M. Hrs.

✓ HYDRIL
W
CLEAN TO BOTTOM
BLE

DRILLED 4158 4522 34 11 8 3/8
REAMED
CORED

DRILLER F BREMP 12
DERRICK P RIVICH 12
MOTORMAN L. HOUHMAN 12
FLOORMAN W RYKS 12
FLOORMAN V HACHEY 12
FIREMAN

TALLY

BIT RECORD

No. LENGTH BIT No. 52
39 STANDS 3602.38 SIZE 8 3/8
1 SINGLE 31.48 MAKE HTC
29 D.C.'s 844.1 TYPE W7
5.20 SERIAL 72959
JET SIZE Cut out
FROM 4488
TO 4522
KELLY IN FOOTAGE 34
TOTAL HRS. 11
COND. DRILL

REMARKS AND INJURIES:

CONTRACTOR'S TIME

CO'S TIME

RAT HOLE TOP

8-4 TOUR

FROM TO FOOTAGE HRS. SIZE

Tour 2 8 A.M. to 4 P.M. Hrs.

TRAP TALLY 4529.37
BOARD TALLY 4524.67
CORRECTION 4.70

DRILLED
REAMED
CORED

~~DRILLER~~ S WATSON 12 HC
~~DERRICK~~ B HUNTER 12 AC
~~MOTORMAN~~ J PAUL 12 CA
~~FLOORMAN~~ H HRUSHCHAN 12
~~FLOORMAN~~ EH TACASIS 8 TRAVEL
FIREMAN

TALLY

BIT RECORD

No. LENGTH BIT No.
STANDS
SINGLE
D.C.'s
JET SIZE
FROM
TO
KELLY IN
TOTAL
HRS.
COND.

REMARKS AND INJURIES:

CONTRACTOR'S TIME

CO'S TIME

RAT HOLE TOP

4-12 TOUR

FROM TO FOOTAGE HRS. SIZE

Tour 3 4 P.M. to Midnite Hrs.

4HP PIPE
CLOSE BLIND RAMS.

REAM & CLEAN TO BOTTOM

6 bbls Of Mud @ 4534

DRILLED 4522 4552 30 8 8 3/8
REAMED
CORED

DRILLER G. LINDST 12
DERRICK W. RYKS 12
MOTORMAN J. FREY 12
FLOORMAN D. HANER 12
FIREMAN

TALLY

BIT RECORD

No. LENGTH BIT No. 52 53
39 STANDS 602.38 SIZE 8 3/8 8 3/8
1 SINGLE 61.74 MAKE W7 YAWB
29 D.C.'s 844.1 TYPE HTC REED
5.20 SERIAL 72959
JET SIZE Cut out
FROM 4488 4524
TO 4524 4553
KELLY IN FOOTAGE 30 29
TOTAL HRS. 12 1/2 @ 1/2
COND. DRILL

REMARKS AND INJURIES:

CONTRACTOR'S TIME

CO'S TIME

RAT HOLE TOP

EQUIPMENT FAILURES

TIME LOST

TON MILE

TOOL PUSHER: [Signature]

APPROVED: [Signature]

CALGARY OFFICE

SOCONY MOBIL OIL OF CANADA, LTD.

DAILY DRILLING REPORT

FIELD or AREA: EAGLE PLAINS WELL NAME & No. BIRCH YTB-34 CONTRACTOR PARKER DRILLING

TIME	MUD RECORD				BIT WT. M	TABLE		PUMP		DEVIATION		START	STOP	HRS.	WORK RECORD	12-8 TOUR
	WT.	VISC.	W.L.	F.C.		RPM	SPM	PRESS	DEPTH	DEG.						
2 A.M.					50	75	58	850				12:00	12:15	1/4	SERVICE RIG ✓ HYDRIN	
4 A.M.					50	75	58	850				12:15	12:45	4	DRAG 8 7/8 HOLE	
6 A.M.												12:45	5:15	1	LOSING CONC MIX UP SHURR'S LAST CONC MATERIAL PUMP DOWN & SLOW STEADY LOSS MIX UP NEW	
8 A.M.					42	50	54	42	500			6:30	10:30	1 1/4	VOLUME MUD & LOSS CONC MATERIAL	
												10:30	12:00	1 1/2	DRAG W/ REDUCED PUMP PRESSURE TRIP FOR BIT	
LINER SIZE <u>6 1/2</u> STROKE <u>15"</u> MUD & CHEMICALS LBS. Added: <u>1300 GEL</u> KIND: <u>FIBER 55K5</u> <u>350 CURETONE</u> <u>150 SARTEX</u> <u>150 PELTEX</u> <u>50 CELLTEX</u> <u>50 LIGHT</u> <u>10 SKS JEL FLAKE</u>																

LOST APPROXIMATELY 100-125 BAGS MUD TO FORMATION @ 4473

TIME	MUD RECORD				BIT WT. M	TABLE		PUMP		DEVIATION		START	STOP	HRS.	CONTRACTOR'S TIME	CO'S TIME
	WT.	VISC.	W.L.	F.C.		RPM	SPM	PRESS	DEPTH	DEG.						
10 A.M.																
NOON																
2 P.M.																
4 P.M.					40	38	58	850								
LINER SIZE <u>6 1/2</u> STROKE <u>15"</u> MUD & CHEMICALS LBS. Added: <u>4500 GEL</u> KIND: <u>ON HAND</u> LBS. <u>500 PELTEX</u> LBS. <u>100 CELLTEX</u> LBS. <u>100 CAUSTIC</u> <u>20 SKS PLUG IT</u> <u>20 SKS MICA</u> <u>10 SKS GEL FLAKE</u>																

TIME	MUD RECORD				BIT WT. M	TABLE		PUMP		DEVIATION		START	STOP	HRS.	CONTRACTOR'S TIME	CO'S TIME
	WT.	VISC.	W.L.	F.C.		RPM	SPM	PRESS	DEPTH	DEG.						
6 P.M.												12:00	12:15	1/4	RIG SERVICE + CLOSE SLIND RUMOR	
8 P.M.												12:15	12:45	1/2	RUN IN DRAG COLLAR	
10 P.M.												12:45	1:30	3/4	SLIP + CUT 60' LINE	
12 P.M.												1:30	2:00	1/2	TRIP IN W/ BIT	
												2:00	2:15	1/4	BREAK CONC + CLEAN 2' FILL	
												2:15	3:15	1	DRILLING 8 7/8" HOLE	
												3:15			LOST CONC @ 4480 HOLE ITANING GAS CLEAR 150 OFF GAS & IT. HAD 2 HOLE CUT MATERIAL	
												7:00	10:30	2 1/4	CONC. BUILD VOLUME	
												10:15	1:00	1 3/4	TRIP FOR CUT OUT BIT	
LINER SIZE: <u>6 1/2</u> STROKE <u>15"</u> MUD & CHEMICALS LBS. Added: <u>4500 GEL</u> KIND: <u>ON HAND</u> LBS. <u>500 PELTEX</u> LBS. <u>100 CELLTEX</u> LBS. <u>100 CAUSTIC</u> <u>20 SKS PLUG IT</u> <u>20 SKS MICA</u> <u>10 SKS GEL FLAKE</u>																

CASING TESTED TO: _____ PSI. MIN. FORMATION TESTED _____ PSI. MIN. EQUIPMENT FAILURES _____

RIG FUEL CONSUMPTION _____ GAL. BOILER FUEL CONSUMPTION _____ GAL. WIRELINE TON MILE _____ TOOL PUSHER: [Signature]

MOBIL OIL OF CANADA, LTD.

DATE 11/13/65

No. 41 DAILY TIME SHEET

DRILLING REPORT

No. 41

Well BIRCH YTB-34

CONTRACTOR PARKER DRILLING

RIG No. 10

Approved Date 12/5/65

WORK RECORD 12-P TOUR

FROM TO FOOTAGE HRS. SIZE

Tour 1 Midnite to 8 A.M. Hrs.

Hydrom.
12-E
Mix 41' Slurry Loss Circ. Material
Slow Steady Loss Mix UP. NEW
D 4' Loss Circ. Material
Reduced Pump Pressure

DRILLED 4463 4484 21 8 8 7/8
REAMED
CORED

DRILLER F BREMP 12
DERRICK P HUNECH 12
MOTORMAN L HOGARTAN 12
FLOORMAN W BYK'S 12
FLOORMAN V HACHEY 12
FIREMAN

TALLY BIT RECORD
No. LENGTH BIT No. 50
STANDS 360.35 SIZE 8 7/8
SINGLE MAKE HTC
D.C.'s 29 814.11 TYPE W.M.2
520 SERIAL 57148
JET SIZE 3/8
FROM 4435
TO 4484
FOOTAGE 49
KELLY IN 32 HRS. 16 1/2
TOTAL 4484 COND. 33-1
RAT HOLE TOP

REMARKS AND INJURIES:

CONTRACTOR'S TIME CO'S TIME

CONTRACTOR'S TIME CO'S TIME

CONTRACTOR'S TIME CO'S TIME

8-4 TOUR

FROM TO FOOTAGE HRS. SIZE

Tour 2 3 A.M. to 4 P.M. Hrs.

DRILLED
REAMED
CORED

DRILLED
REAMED
CORED

DRILLER S WATSON 12 MC
DERRICK B HUNTER 12 AC
MOTORMAN T PAUL 12 CA
FLOORMAN G DAWNE 8
FLOORMAN H HRUSHCHAK 12 Mech
FIREMAN

TALLY BIT RECORD
No. LENGTH BIT No.
STANDS
SINGLE
D.C.'s
TYPE
SERIAL
JET SIZE
FROM
FOOTAGE
KELLY IN
TOTAL
HRS.
RAT HOLE TOP
COND.

REMARKS AND INJURIES:

CONTRACTOR'S TIME CO'S TIME

CONTRACTOR'S TIME CO'S TIME

CONTRACTOR'S TIME CO'S TIME

4-12 TOUR

FROM TO FOOTAGE HRS. SIZE

Tour 3 4 P.M. to Midnite Hrs.

+ Close Slurry Pump
+ 20' Wash Line
+ 15' H
+ Clean 2' Fill
+ 8" Hole
4480 Hole Having Gas Bleed
Air Mud + Lost Circ. Material
Volume
+ Out Bit

DRILLED 4484 8 7/8
REAMED
CORED

DRILLER G. BURHURST 12
DERRICK W. RUDAS 12
MOTORMAN JOHN FREY 12
FLOORMAN D. HEBNER 12
FLOORMAN
FIREMAN THOMAS J. BURWELL 8

TALLY BIT RECORD
No. LENGTH BIT No. 51
STANDS SIZE 8 5/8
SINGLE MAKE SEC.
D.C.'s 29 844.11 TYPE H8-5
520 SERIAL 798423
JET SIZE 3/8
FROM 4484
TO
FOOTAGE
KELLY IN
TOTAL
HRS.
RAT HOLE TOP
COND.

REMARKS AND INJURIES:

CONTRACTOR'S TIME CO'S TIME

CONTRACTOR'S TIME CO'S TIME

CONTRACTOR'S TIME CO'S TIME

MIN. EQUIPMENT FAILURES TIME LOST
TODAY'S TON MILE TOOL PUSHER: APPROVED: CALGARY OFFICE

SOCONY MOBIL OIL OF CANADA, LTD.

DAILY DRILLING REPORT

FIELD or AREA: EAGLE PLAINS WELL NAME & No. BIRCH YTB-34 CONTRACTOR PARKER DRILLING

TIME	MUD RECORD				BIT WT. M	TABLE RPM	PUMP		DEVIATION		START	STOP	HRS.	WORK RECORD	12-8 TOUR
	WT.	VISC.	W.L.	F.C.			SPM	PRESS	DEPTH	DEG.					
2 A.M.	94	62	44	32	50	58	63	1000			1200	5:15	5 1/4	DRUG 8 5/8" HOLE	
4 A.M.					50	58	-	-			5:15	6:30	1 1/4	TRIP OUT	
6 A.M.											6:30	6:45	1/4	SERVICE RIG CLOSE BLIND WELLS	
8 A.M.											6:45	7:45	1	TRIP IN	
											7:45	8:00	1/4	DRUG CIRC CLEAN 11' FILL TO BOTTOM	
											8:00	12:00	4	DRUG	

LINER SIZE: 6 1/2 STROKE 16
MUD & CHEMICALS
LBS. Added: 100 KIND: CARBONOX
50 CHAUSTIC
WATER

BOP Tested: _____ DRILLER: T. Kemp CONTRACTOR'S TIME: _____ CO'S TIME: _____

TIME	MUD RECORD				BIT WT. M	TABLE RPM	PUMP		DEVIATION		START	STOP	HRS.	WORK RECORD	8-4 TOUR
	WT.	VISC.	W.L.	F.C.			SPM	PRESS	DEPTH	DEG.					
10 A.M.	94	62			45	74	50	700							
NOON															
2 P.M.	TRIP														
4 P.M.	94	62			45	58	63	1000							

LINER SIZE: 6 1/2 STROKE 15"
MUD & CHEMICALS
LBS. Added: _____ KIND: _____

BOP Tested: _____ DRILLER: _____ CONTRACTOR'S TIME: _____ CO'S TIME: _____

TIME	MUD RECORD				BIT WT. M	TABLE RPM	PUMP		DEVIATION		START	STOP	HRS.	WORK RECORD	4-12 TOUR
	WT.	VISC.	W.L.	F.C.			SPM	PRESS	DEPTH	DEG.					
6 P.M.	94	56			50	58	63	1000			12:00	12:30	1/2	DRUG 8 5/8" HOLE	
8 P.M.	94	60			50	75	58	850			12:30	1:45	1 1/4	TRIP OUT FOR BIT	
10 P.M.	94	70	38	32							1:45	2:00	1/4	RIG SERVICE + CLOSE BLIND WELLS	
12 P.M.											2:00	3:00	1	TRIP IN w/ BIT # 50	
											3:00	3:30	1/2	BREAK CIRC + CLEAN 12' FILL	
											3:30	12:00	8 1/2	DRUG 8 5/8" HOLE.	

LINER SIZE: 6 1/2 STROKE 15
MUD & CHEMICALS
LBS. Added: 500 KIND: CEL
50 CMC
50 CELLEX
100 SODA ASH
150 PEATEX
150 SOLTEX
50 LIGNOX
LBS. ON HAND: _____

BOP Tested: _____ DRILLER: G. D. ... CONTRACTOR'S TIME: _____ CO'S TIME: _____

CASING TESTED TO: _____ PSI. MIN. FORMATION TESTED: _____ PSI. MIN. EQUIPMENT FAILURES: _____
RIG FUEL CONSUMPTION: _____ GALS BOILER FUEL CONSUMPTION: _____ GALS WIRELINE TON MILE: _____ TOOL PUSHER: _____

OBIL OIL OF CANADA, LTD.

DATE May 12, 65

No. 40 DAILY TIME SHEET

DRILLING REPORT

34 CONTRACTOR Parker Drilling

RIG No. 10

Well BIRCH YTB-34

Approved _____ Date 12/5/65

WORK RECORD 12 - 8 TOUR

LE

Close Blind Risers

clean 11' fill to bottom

CONTRACTOR'S TIME _____ CO's TIME _____

	FROM	TO	FOOTAGE	HRS.	SIZE
DRILLED	4413	4434	21	9 1/2	8 3/8
REAMED					
CORED					
TALLY					
No.	LENGTH	BIT No.	SIZE		
38	STANDS 3509.28	48	4 1/2		
2	SINGLE 61.68		8 3/8		
29	D.C.'s 844.11		8 3/8		
	5.20				
BIT RECORD					
		MAKE	KEEP HTC		
		TYPE	YANG DWC		
		SERIAL	E04134 59030		
		JET SIZE	Coal Co		
		FROM	4427	4426	
		TO	4426	4434	
		FOOTAGE	19	8	
		HRS.	7 1/2	4	
		COND.	2-1		
KELLY IN 13.13					
TOTAL 4434					
RATHOLETOP _____					

Tour 1	Midnite to 8 A.M.	Hrs.
DRILLER	F. BRENN	12
DERRICK	P. THURMAN	12
MOTORMAN	L. HUNTER	12
FLOORMAN	W. KYRS	12
FLOORMAN	V. HANEY	12
FIREMAN		

REMARKS AND INJURIES:

WORK RECORD 8 - 4 TOUR

CONTRACTOR'S TIME _____ CO's TIME _____

	FROM	TO	FOOTAGE	HRS.	SIZE
DRILLED					
REAMED					
CORED					
TALLY					
No.	LENGTH	BIT No.	SIZE		
	STANDS				
	SINGLE				
	D.C.'s				
BIT RECORD					
		MAKE			
		TYPE			
		SERIAL			
		JET SIZE			
		FROM			
		TO			
		FOOTAGE			
		HRS.			
		COND.			
KELLY IN _____					
TOTAL _____					
RATHOLETOP _____					

Tour 2	8 A.M. to 4 P.M.	Hrs.
DRILLER	S. WATSON	12
DERRICK	B. HUNTER	12
MOTORMAN	J. PAUL	12
FLOORMAN		
FLOORMAN		
FIREMAN		
	STEE. H. HROSHCHAK	12
	ANSEL. G. DOWNE	8

REMARKS AND INJURIES:

WORK RECORD 4 - 12 TOUR

ole

FOR BIT

+ Close Blind Risers.

1. Bit # 50

+ CLEAN 12' FILL

HOLES.

CONTRACTOR'S TIME _____ CO's TIME _____

	FROM	TO	FOOTAGE	HRS.	SIZE
DRILLED	4454	4463	29	9	8 3/8
REAMED					
CORED					
TALLY					
No.	LENGTH	BIT No.	SIZE		
29	STANDS 2602.58	11	50		
	SINGLE		8 3/8		
	D.C.'s 844.11		8 3/8		
	5.20				
BIT RECORD					
		MAKE	HTC HTC		
		TYPE	DWC WTR		
		SERIAL	59030 57048		
		JET SIZE	Coal Co		
		FROM	4426	4435	
		TO	4426	4463	
		FOOTAGE	9	28	
		HRS.	4 1/2	6 1/2	
		COND.	2-1		
KELLY IN 11.31					
TOTAL 4463					
RATHOLETOP _____					

Tour 3	4 P.M. to Midnite	Hrs.
DRILLER	G. BARHURST	12
DERRICK	W. RINAS	12
MOTORMAN	JOHN FREY	12
FLOORMAN	DENNIS HENNER	12
FLOORMAN		
FIREMAN	J. CORRELL	8

REMARKS AND INJURIES:

MIN. _____ EQUIPMENT FAILURES _____ TIME LOST _____

TOOL PUSHER: [Signature] APPROVED: [Signature]

CALGARY OFFICE

SOCONY MOBIL OIL OF CANADA, LTD.

DAILY DRILLING REPORT

FIELD or AREA: EAGLE PLAINS WELL NAME & No. BIRCH YTB-34 CONTRACTOR PARKER DRILLING

TIME	MUD RECORD				BIT WT. M	TABLE RPM	PUMP		DEVIATION		START	STOP	HRS.	WOPK RECORD	12-8 TOUR
	WT.	VISC.	W.L.	F.C.			SPM	PRESS	DEPTH	DEG.					
2 A.M.	9.4	62	4.8	4.2	58	63	1000	4873	12	315	315	3 1/4	DRILLING 8 7/8" HOLE		
4 A.M.										330	445	1 1/2	DROP SURVEY @ 4873		
6 A.M.										445	500	4	TRIP OUT		
8 A.M.										5-00	600	1	RIG SERVICE & MOTOR SHUT OFF'S		
										6-00	645	3/4	TRIP IN		
										6-45	1200	5 1/4	BREAK CIRC CLEAN 20' FILL TO BOTTOM		
LINER SIZE: <u>6 1/2</u> STROKE <u>16"</u> MUD & CHEMICALS LBS. Added: <u>1000</u> <u>100</u> <u>100</u> <u>150</u> <u>50</u> KIND: <u>GEL</u> <u>CAUSTIC</u> <u>CHADRON</u> <u>PELTEX</u> <u>CMC</u>															

TIME	MUD RECORD				BIT WT. M	TABLE RPM	PUMP		DEVIATION		START	STOP	HRS.	CONTRACTOR'S TIME	CO'S TIME
	WT.	VISC.	W.L.	F.C.			SPM	PRESS	DEPTH	DEG.					
10 A.M.															
NOON	9.4	57			50	52	62	950							
2 P.M.	9.4	60	4.2	3.2	50	80	58	850							
4 P.M.	9.4	58													
LINER SIZE: <u>6 1/2</u> STROKE <u>15"</u> MUD & CHEMICALS LBS. Added: <u></u> <u></u> <u></u> <u></u> <u></u> KIND: <u></u> <u></u> <u></u> <u></u> <u></u>															

TIME	MUD RECORD				BIT WT. M	TABLE RPM	PUMP		DEVIATION		START	STOP	HRS.	CONTRACTOR'S TIME	CO'S TIME
	WT.	VISC.	W.L.	F.C.			SPM	PRESS	DEPTH	DEG.					
6 P.M.	9.4	57			50	80	58	850		12:00	4:15	4 1/4	DRILL 8 7/8" HOLE.		
8 P.M.	9.4	57								4:15	4:30	1/4	RIG SERVICE & CLOSE HYDRA.		
10 P.M.										4:30	7:30	3	DRILL 8 7/8" HOLE.		
12 P.M.										7:30	9:45	2 1/4	TRIP FOR BIT		
										9:45	10:00	1/4	CLEAN 6' FILL		
										10:00	12:00	2	DRILL 8 7/8" HOLE.		
LINER SIZE: <u>6 1/2</u> STROKE <u>15"</u> MUD & CHEMICALS LBS. Added: <u>100</u> <u>50</u> <u>50</u> <u>50</u> <u>50</u> <u>150</u> KIND: <u>CARBONYL</u> <u>CAUSTIC</u> <u>SOLTEX</u> <u>LIGNOX</u> <u>CELLEX</u> <u>PELTEX</u>															

CASING TESTED TO: _____ PSI. MIN. FORMATION TESTED _____ PSI. MIN. EQUIPMENT FAILURES _____
 RIG FUEL CONSUMPTION _____ GALS BOILER FUEL CONSUMPTION _____ GALS WIRELINE TON MILE _____ TOOL PUSHER: [Signature]

DRILLING REPORT

No. 39

Well BIRCH YTB-34

CONTRACTOR PARKER DRILLING

RIG No. 10

Approved

Date 1/5/65

WORK RECORD

12-8 TOUR

FROM TO FOOTAGE HRS. SIZE

Tour 1 Midnite to 8 A.M. Hrs.

1/2 HOLE @ 4373

DRILLED 4367 4389 22 8 5/8
REAMED
CORED

DRILLER F KEMP 12
DERRICK M O'BRIEN 12
MOTORMAN L HOULAHAN 12
FLOORMAN W RYK'S 12
FLOORMAN V HACHEY 12
FIREMAN

Motor SHUT OFFS

TALLY BIT RECORD

CLEAN 20' FILL TO BOTTOM

No. LENGTH BIT No. 46 47
STANDS 3509.25 SIZE 8 7/8 8 7/8
SINGLE MAKE HTC REED
D.C.'s 844.11 TYPE OWC YHWG
5.20 SERIAL 59201 E04135
JET SIZE Low Low
FROM 4354 4373
TO 4373 4389
FOOTAGE 19 16
HRS. 17 57
COND. 2-1-1 DRUG

REMARKS AND INJURIES:

CONTRACTOR'S TIME

CO'S TIME

RAT HOLE TOP

8-4 TOUR

FROM TO FOOTAGE HRS. SIZE

Tour 2 8 A.M. to 4 P.M. Hrs.

DRILLED
REAMED
CORED

DRILLER G. DAWNE 12
DERRICK B. HUNTER 12
MOTORMAN F. PAUL 12
FLOORMAN H. HRAUSHCHAK 12
FIREMAN

TALLY BIT RECORD

No. LENGTH BIT No.
STANDS
SINGLE
D.C.'s
MAKE TRAVELLING
TYPE
SERIAL
JET SIZE
FROM
TO
FOOTAGE
HRS.
COND.

REMARKS AND INJURIES:

CONTRACTOR'S TIME

CO'S TIME

RAT HOLE TOP

4-12 TOUR

FROM TO FOOTAGE HRS. SIZE

Tour 3 4 P.M. to Midnite Hrs.

1/2 HOLE
Close Hydr.
1/2 HOLE
1/2 HOLE

DRILLED 4389 4413 24 9 1/4 8 7/8
REAMED
CORED

DRILLER G. BURRILL 12
DERRICK M. THOMAS 12
MOTORMAN P. HUELICH 12
FLOORMAN J. FREN 12
FLOORMAN D. HEBNER 12
FIREMAN J. BURRELL 12

TALLY BIT RECORD

No. LENGTH BIT No. 47 48
STANDS 3509.25 SIZE 8 7/8 8 7/8
SINGLE MAKE REED REED
D.C.'s 844.11 TYPE YHWG YHWG
5.20 SERIAL 804135 E04135
JET SIZE Low Low
FROM 4373 4401
TO 4401 4413
FOOTAGE 24 6
HRS. 1 1/2 2
COND. 2-2-1 DRUG

REMARKS AND INJURIES:

CONTRACTOR'S TIME

CO'S TIME

RAT HOLE TOP

MIN. EQUIPMENT FAILURES TIME LOST

NET TON MILE

TOOL PUSHER: [Signature]

APPROVED: [Signature]

CALGARY OFFICE

SOCCNY MOBIL OIL OF CANADA, LTD.

DAILY DRILLING REPORT

FIELD or AREA: EAGLE PLAINS WELL NAME & No. BIRCH STB-34 CONTRACTOR PARKER DRILLING

TIME	MUD RECORD				BIT WT. M	TABLE RPM	PUMP		DEVIATION		START	STOP	HRS.	WORK RECORD
	WT.	VISC.	W.L.	F.C.			SPM	PRESS	DEPTH	DEG.				
2 A.M.	9.5	55	4.2	32	40	54	63	1000			12:00	12:15	1/4	SERVICE TRIP ✓ HYDRIL
4 A.M.	9.5	55			45	54	✓	✓			12:15	8:30	8 7/8	DRILL 8 7/8" HOLE
6 A.M.	9.5	53	4.2	32	50	54	✓	✓			8:30	10:15	2 7/8	TRIP FOR NEW BIT
8 A.M.	9.5	52			55	54					11:45	11:30	3/4	BREAK CHC & CHEM 15' TO BOTTOM
											11:30	12:00	1/2	DRILL 8 7/8" HOLE

LINER SIZE: 6 1/2" STROKE 16"
MUD & CHEMICALS

LBS. Added	KIND
100	CARBONOX
50	CAUSTIC
50	SOLTEX

BOP Tested DRILLER: J. Kump CONTRACTOR'S TIME _____ CO'S. TIME _____

TIME	MUD RECORD				BIT WT. M	TABLE RPM	PUMP		DEVIATION		START	STOP	HRS.	WORK RECORD
	WT.	VISC.	W.L.	F.C.			SPM	PRESS	DEPTH	DEG.				
10 A.M.														
NOON	9.5	54						63	1000					
2 P.M.	9.5	50	4.6	32	40	56	63	1000						
4 P.M.														

LINER SIZE: 6 1/2" STROKE 15"
MUD & CHEMICALS

LBS. Added	KIND

BOP Tested _____ DRILLER: _____ CONTRACTOR'S TIME _____ CO'S. TIME _____

TIME	MUD RECORD				BIT WT. M	TABLE RPM	PUMP		DEVIATION		START	STOP	HRS.	WORK RECORD
	WT.	VISC.	W.L.	F.C.			SPM	PRESS	DEPTH	DEG.				
6 P.M.											12:00	12:15	1/4	RIG SERVICE & CLOSE 4 1/2 HOURS.
8 P.M.											12:15	3:45	3 1/2	DRUG 8 7/8" HOLE.
10 P.M.											3:45	4:15	1/2	TRIP FOR BIT
12 P.M.											4:15	5:30	1 1/4	REPAIR CHAIN IN DOWNHOLES.
											5:30	7:15	1 3/4	FINISH TRIP
											7:15	8:00	3/4	BREAK LINE & ELEPH 20' TILL
											8:00	12:00	4	DRILL 8 7/8" HOLE.

LINER SIZE: 6 1/2" STROKE 15"
MUD & CHEMICALS

LBS. Added	KIND	LBS.	ON HAND
50	CERLEX		
50	LIGNOX		

BOP Tested DRILLER: M. B. ... CONTRACTOR'S TIME _____ CO'S. TIME _____

CASING TESTED TO: _____ PSI. MIN. FORMATION TESTED _____ PSI. MIN. EQUIPMENT FAILURES _____

RIG FUEL CONSUMPTION _____ GALS BOILER FUEL CONSUMPTION _____ GALS WIRELINE TON MILE _____ TOOL PUSHER: _____

DRILLING REPORT

No. 38

Well BIRCH V TO-34

CONTRACTOR PARKER DRILLING

RIG No. 10

Approved

Date 5/15/65

WORK RECORD

12-8 TOUR

FROM TO FOOTAGE HRS. SIZE

V HYDRA
HOLE
W BIT
CLEAN 15' TO BOTTOM
HOLE

DRILLED 4317 4345 28 8 1/8 8 3/8
REAMED
CORED

Tour 1 8 A.M. to 8 P.M. Hrs.
DRILLER F BRENN 12
DERRICK M O'BRIEN 12
MOTORMAN L HUGHAN 12
FLOORMAN W RYAN 12
FLOORMAN V HACHEY 12
FIREMAN

TALLY

BIT RECORD

No. LENGTH BIT No. 44 45
37 STANDS 3416 53 SIZE 8 3/8 8 3/8
2 SINGLE 6167 MAKE HIC HIC
29 D.C.'s 844.11 TYPE OWC OWC
5.20 SERIAL 6507 9420
JET SIZE Con Con
FROM 4317 4342
TO 4342 4345
KELLY IN 17.19 FOOTAGE 25 3
TOTAL 4345 HRS. 8 1/2
RATHOLE TOP COND. 3-2-1 Dull

REMARKS AND INJURIES:

CONTRACTOR'S TIME

CO'S TIME

8-4 TOUR

FROM TO FOOTAGE HRS. SIZE

DRILLED
REAMED
CORED

Tour 2 8 A.M. to 4 P.M. Hrs.
~~DRILLER~~ G DAWNE 12
~~DERRICK~~ JOE PAUL 12
~~MOTORMAN~~ BILL HUNTER 12
~~FLOORMAN~~ H HUSCHENK 12
FIREMAN

TALLY

BIT RECORD

No. LENGTH BIT No.
STANDS SIZE
SINGLE MAKE
D.C.'s TYPE
SERIAL
JET SIZE
FROM
TO
KELLY IN FOOTAGE
TOTAL HRS.
RATHOLE TOP COND.

H.C. SWATSON 8
TRAVELLING.

REMARKS AND INJURIES:

CONTRACTOR'S TIME

CO'S TIME

4-12 TOUR

FROM TO FOOTAGE HRS. SIZE

+ Close 4 1/2 RINGS.
10" Hole.

DRILLED 4345 4368 22 7 1/2 8 5/8
REAMED
CORED

Tour 3 4 P.M. to Midnite Hrs.
DRILLER G. BARAURST 12
DERRICK W. RINAS 12
MOTORMAN P. PAVELICH 12
FLOORMAN J. FREY 12
FLOORMAN D. HEBNER 12
FIREMAN J. MURPHY 12

TALLY

BIT RECORD

No. LENGTH BIT No. 45 46
STANDS 3416.83 SIZE 8 3/8 8 3/8
SINGLE 6167 MAKE HIC HIC
29 D.C.'s 844.11 TYPE OWC OWC
5.20 SERIAL 7420 9420
JET SIZE Con Con
FROM 4342 4354
TO 4354 4368
KELLY IN 40.19 FOOTAGE 12 18
TOTAL 4368 HRS. 11 14
RATHOLE TOP COND. 2-1-1 Dull

REMARKS AND INJURIES:

CONTRACTOR'S TIME

CO'S TIME

MIN. EQUIPMENT FAILURES TIME LOST

NET TON MILE

TOOL PUSHER:

APPROVED:

CALGARY OFFICE

SOCONY MOBIL OIL OF CANADA, LTD.

DAILY DRILLING REPORT

FIELD or AREA: EAGLE PLAINS WELL NAME & No. BIRCH YTB 34 CONTRACTOR PANZEN DRILLING

TIME	MUD RECORD				BIT WT. M	TABLE RPM	PUMP		DEVIATION		START	STOP	HRS.	WORK RECORD	12-8 TOUR	
	WT.	VISC.	W.L.	F.C.			SPM	PRESS	DEPTH	DEG.						
2 A.M.	9.5						63	1000			12:00	12:15	1/4	RIG SERVICE ✓ BLIND RIMS		
4 A.M.	9.5	58	4.8	3/32	60		✓	✓			12:15	1:30	1/4	TRIP IN W/ BIT #42		
6 A.M.					55	60					1:30	2:30	1	BREAK CIRC & CLEAN 20' FILL TO BOTTOM		
8 A.M.											2:30	6:00	3 1/2	DRLLG 8 3/8 HOLE		
											6:00	8:45	2 1/4	TRIP FOR NEW BIT		
											8:45	9:45	1	BREAK CIRC CLEAN TO BOTTOM		
											9:45	12:00	2 3/4	DRLLG 8 3/8 HOLE		
LINER SIZE: <u>6 1/2"</u> STROKE <u>16"</u> MUD & CHEMICALS LBS. Added: <u>500 GEL</u> <u>150 PELTEX</u> <u>50 CAUSTIC</u> <u>100 CARBONOX</u> <u>50 SOLTEX</u>																
BOP Tested <input checked="" type="checkbox"/>														DRILLER: <u>J. Kemp</u>	CONTRACTOR'S TIME	CO'S. TIME

TIME	MUD RECORD				BIT WT. M	TABLE RPM	PUMP		DEVIATION		START	STOP	HRS.	WORK RECORD	8-4 TOUR	
	WT.	VISC.	W.L.	F.C.			SPM	PRESS	DEPTH	DEG.						
10 A.M.	9.5	60			40	40	56	850								
NOON	9.5	60	4.2	3/32	40	40	✓	✓								
2 P.M.	9.4	53	4.4				✓	✓								
4 P.M.	9.4	52					✓	✓								
LINER SIZE: <u>6 1/2"</u> STROKE <u>15"</u> MUD & CHEMICALS LBS. Added: <u>500 GEL</u> <u>150 PELTEX</u> <u>50 CAUSTIC</u> <u>100 CARBONOX</u> <u>50 SOLTEX</u>																
BOP Tested <input type="checkbox"/>														DRILLER:	CONTRACTOR'S TIME	CO'S. TIME

TIME	MUD RECORD				BIT WT. M	TABLE RPM	PUMP		DEVIATION		START	STOP	HRS.	WORK RECORD	4-12 TOUR	
	WT.	VISC.	W.L.	F.C.			SPM	PRESS	DEPTH	DEG.						
6 P.M.	9.4	52			45	40	56	850	-	-	12:00	12:15	1/4	RIG SERVICE + CLOSE PIPE RAILS.		
8 P.M.	9.4	51									12:15	9:45	9	DRLLG 8 3/8" HOLE		
10 P.M.											9:45	11:30	2 1/4	TRIP FOR NEW BIT		
12 P.M.											11:30	12:00	1/2	BREAK CIRC & CLEAN 8' FILL.		
LINER SIZE: <u>6 1/2"</u> STROKE <u>15"</u> MUD & CHEMICALS LBS. Added: <u>500 GEL</u> <u>150 PELTEX</u> <u>50 CAUSTIC</u> <u>100 CARBONOX</u> <u>50 SOLTEX</u>																
BOP Tested <input checked="" type="checkbox"/>														DRILLER: <u>A. Barlow</u>	CONTRACTOR'S TIME	CO'S. TIME

CASING TESTED TO: _____ PSI. MIN. FORMATION TESTED: _____ PSI. MIN. EQUIPMENT FAILURES: _____
 RIG FUEL CONSUMPTION: _____ GALS BOILER FUEL CONSUMPTION: _____ GALS WIRELINE TON MILE: _____ TOOL PUSHER: JH

DBIL OIL OF CANADA, LTD.

DATE 1/24/65

No. 37 DAILY TIME SHEET

ILLING REPORT

No. 37

Well BIRCH YTB-34

34 CONTRACTOR PARKER DRINKING

RIG No. 10

Approved _____ Date 9/5/65

WORK RECORD 12-8 TOUR

✓ BLIND RIMS
BIT #42
✓ CLEAN 20' FILL TO BOTTOM

DRILLED 4284 4295 11 5 7/8
REAMED
CORED

Tour 1 Midnite to 8 A.M. Hrs.

DRILLER F KREIB 12
DERRICK M O'BRIEN 12
MOTORMAN L HOLLAND 12
FLOORMAN W RYKS 12
FLOORMAN V HACHEL 12
FIREMAN

TALLY

BIT RECORD

No. LENGTH BIT No. 42 43
37 STANDS 3416.83 SIZE 8 7/8 8 7/8
SINGLE MAKE HTC SEC
29 D.C.'s 844.11 TYPE W7 H85
Kernite 5.20 SERIAL 7553 798433
JET SIZE 3/8 3/8
FROM 4284 4290
TO 4290 4295
FOOTAGE 6 5
KELLY IN 28.96 HRS. 3 1/2 2 7/4
TOTAL 4295 COND. 3-1 Dull

REMARKS AND INJURIES:

CONTRACTOR'S TIME

CO'S TIME

8-4 TOUR

FROM TO FOOTAGE HRS. SIZE

Tour 2 8 A.M. to 4 P.M. Hrs.

DRILLED
REAMED
CORED

~~DRILLER~~ G DAWNE 12
~~DERRICK~~ JOE PAUL 12
~~MOTORMAN~~ BILL HUNTER 12
~~FLOORMAN~~ H. HRAUSCHUK 12
FIREMAN

TALLY

BIT RECORD

No. LENGTH BIT No.
STANDS SIZE
SINGLE MAKE
D.C.'s TYPE
SERIAL
JET SIZE
FROM
TO
FOOTAGE
KELLY IN
TOTAL HRS.
RAT HOLE TOP COND.

REMARKS AND INJURIES:

CONTRACTOR'S TIME

CO'S TIME

4-12 TOUR

FROM TO FOOTAGE HRS. SIZE

Tour 3 4 P.M. to Midnite Hrs.

✓ CLOSE PIPE RIMS
HOLE
NEW BIT
✓ CLEAN 8' FILL.

DRILLED 4295 4317 22 9 8 7/8
REAMED
CORED

DRILLER G. BARAUAST 12
DERRICK W. RINAS 12
MOTORMAN P. PADELICH 12
FLOORMAN J. FREY 12
FLOORMAN D. HEBNER 12
FIREMAN J. BURRELL 12

TALLY

BIT RECORD

No. LENGTH BIT No. 43 43
37 STANDS 3416.83 SIZE 8 7/8 8 7/8
SINGLE 3062 MAKE 200 HTC
29 D.C.'s 844.11 TYPE H8-5.0wc
5.20 SERIAL 798433 68007
JET SIZE 3/8 3/8
FROM 4290
TO 4317
FOOTAGE 27
KELLY IN 20.24 HRS. 11 1/4
TOTAL 4317 COND. 1-1

REMARKS AND INJURIES:

CONTRACTOR'S TIME

CO'S TIME

MIN. EQUIPMENT FAILURES
TOOL PUSHER:

TIME LOST
APPROVED: M. Graham

CALGARY OFFICE

36

SOCONY MOBIL OIL OF CANADA, LTD.

DAILY DRILLING REPORT

FIELD or AREA: EAGLE RHINS WELL NAME & No. BIRCH YTB-34 CONTRACTOR PARKER DRILLING

TIME	MUD RECORD				BIT WT. M	TABLE		PUMP		DEVIATION		START	STOP	HRS.	WORK RECORD	12-8 TOUR
	WT.	VISC.	W.L.	F.C.		RPM	SPM	PRESS	DEPTH	DEG.						
2 A.M.	9.6	58	4.6	7/32	45	35	56	850				1210	1215	4	RIG SERVICE ✓ HYDRIL	
4 A.M.	9.6	55			45	35	✓	✓				1215	1200	11 3/4	DRAG 8 7/8 HOLE	
6 A.M.	9.6	55	4.6	7/32	50	35	✓	✓								
8 A.M.	9.6	59			50	35	56	850								
LINER SIZE: <u>6 1/2"</u> STROKE <u>16"</u>																
MUD & CHEMICALS																
LBS. Added: 500 GEL, 100 CARBONOX, 150 PELTEX, 100 DEXTRID LIGNOX-50B, 50 SOLTIX, 50 GELLEX, 50 CAUSTIC																
BOP Tested: _____ DRILLER: <u>F. K...</u> CONTRACTOR'S TIME: _____ CO'S TIME: _____																

TIME	MUD RECORD				BIT WT. M	TABLE		PUMP		DEVIATION		START	STOP	HRS.	WORK RECORD	8-4 TOUR
	WT.	VISC.	W.L.	F.C.		RPM	SPM	PRESS	DEPTH	DEG.						
10 A.M.	9.6	59	4.2	7/32			56	850								
NOON	9.6	57					✓	✓								
2 P.M.	TRIP															
4 P.M.	TRIP															
LINER SIZE: _____ STROKE _____																
MUD & CHEMICALS																
LBS. Added: _____ KIND: _____																
BOP Tested: _____ DRILLER: _____ CONTRACTOR'S TIME: _____ CO'S TIME: _____																

TIME	MUD RECORD				BIT WT. M	TABLE		PUMP		DEVIATION		START	STOP	HRS.	WORK RECORD	4-12 TOUR
	WT.	VISC.	W.L.	F.C.		RPM	SPM	PRESS	DEPTH	DEG.						
6 P.M.	9.5	51	5.0	3/8	45	58	63	1000	42.6	1 1/2	1200	1230	1 1/2	DRAG 8 7/8" HOLE		
8 P.M.	9.4	50	-	-	✓	✓	✓	✓			1230	1245	1 1/4	DROP SURVEY @ 42.61 - 1 1/2		
10 P.M.	9.4	56									1245	3:05	1 1/2	TRIP OUT		
12 P.M.											3:15	3:30	1 1/4	RIG SERVICE & CLOSE BLIND RHINS.		
LINER SIZE: <u>6 1/2"</u> STROKE <u>15"</u>																
MUD & CHEMICALS																
LBS. Added: 500 GEL, 150 PELTEX, 50 GELLEX, 50 CMC, 50 LIGNOX, 100 SODA ASH																
BOP Tested: _____ DRILLER: <u>A. B...</u> CONTRACTOR'S TIME: _____ CO'S TIME: _____																

CASING TESTED TO: _____ PSI. MIN. FORMATION TESTED _____ PSI. MIN. EQUIPMENT FAILURES _____

RIG FUEL CONSUMPTION _____ GALS BOILER FUEL CONSUMPTION _____ GALS WIRELINE TON MILE _____ TOOL PUSHER: JS

MOBIL OIL OF CANADA, LTD.

DATE 11/18/65

No. 36 DAILY TIME SHEET

DRILLING REPORT

CONTRACTOR PARKER DRILLING

RIG No. 10

Well BIRCH Y1B-34

Approved _____ Date 8/5/65

WORK RECORD

12 - 8 TOUR

✓ HYDRIL
✓ HOLE

DRILLED 4236 4260 24 11 3/8
REAMED
CORED

Tour 1
Midnite to 8 A.M. Hrs.
DRILLER F KREMP 12
DERRICK M O'BRIEN 12
MOTORMAN L HOULAHAN 12
FLOORMAN W RYKS 12
FLOORMAN V HACHEY 12
FIREMAN

TALLY

BIT RECORD

No. LENGTH BIT No. 40
36 STANDS 823.74 SIZE 8 7/8
2 SINGLE 62.46 MAKE REED
29 D.C.'s 844.11 TYPE YCG
5.20 SERIAL 501284
JET SIZE 3.46
FROM 4233
TO 4244
FOOTAGE 27
KELLY IN 24 HRS. 13
TOTAL 4260 COND. Delg
RAT HOLE TOP

REMARKS AND INJURIES:

CONTRACTOR'S TIME

CO'S TIME

8 - 4 TOUR

DRILLED
REAMED
CORED

Tour 2
8 A.M. to 4 P.M. Hrs.
~~DRILLER~~ G DAWSON 12
~~DERRICK~~ Joe PAUL 12
~~MOTORMAN~~ Bill HANSEN 12
~~FLOORMAN~~ H HAUSCHER 12
FIREMAN

TALLY

BIT RECORD

No. LENGTH BIT No.
STANDS
SINGLE
D.C.'s
KELLY IN
TOTAL
RAT HOLE TOP

REMARKS AND INJURIES:

CONTRACTOR'S TIME

CO'S TIME

4 - 12 TOUR

Hole
4 @ 4261 - 1/2

SEE & CLOSE BLIND RINGS.
Bit # 41
GET CLEAN 8' FILL
" HOLE.
Bit

DRILLED 4260 4284 24 7 3/8
REAMED
CORED

Tour 3
4 P.M. to Midnite Hrs.
DRILLER G BARNHART 12
DERRICK W RYKS 12
MOTORMAN P. PAULICH 12
FLOORMAN J. FREY 12
FLOORMAN D. HEIBNER 12
FIREMAN J. BARNETT 12

TALLY

BIT RECORD

No. LENGTH BIT No. 40 41
37 STANDS 3416.23 SIZE 8 7/8 8 7/8
SINGLE MAX REED HTL
29 D.C.'s 844.11 TYPE REG WT
5.20 SERIAL 50124 7420
JET SIZE 1 1/16 CON
FROM 4233 4261
TO 4261 4284
FOOTAGE 28 23
KELLY IN 17.86 HRS. 14 1/2 5 1/2
TOTAL 4284 COND. 1-2-1 2-1-1
RAT HOLE TOP

REMARKS AND INJURIES:

CONTRACTOR'S TIME

CO'S TIME

PSI. MIN.

EQUIPMENT FAILURES

TIME LOST

LINE TON MILE

TOOL PUSHER: [Signature]

APPROVED: M. Graham

CALGARY OFFICE

SOCONY MOBIL OIL OF CANADA, LTD.

DAILY DRILLING REPORT

FIELD or AREA: EAGLE PLAINS WELL NAME & No. BIRCH Y18-34 CONTRACTOR PARKER DRILLING

TIME	MUD RECORD				BIT WT. M	TABLE RPM	PUMP		DEVIATION		START	STOP	HRS.	WORK RECORD
	WT.	VISC.	W.L.	F.C.			SPM	PRESS	DEPTH	DEG.				
2 A.M.	9.6	62	4.8	3/32	45	36	56	850			12:00	12:15	1/4	SERVICE RIG ✓ HORIZ
4 A.M.	9.6	61			45	36	✓	✓			12:15	11:15	11	DRILL 8 5/8" HOLE
6 A.M.	9.6	62	4.6	3/32	45	36	✓	✓			11:45	11:45	5	REPAIR LEAK IN STANDPIPE
8 A.M.	9.6	61			45	36	56	850			11:45	12:00	17	DRAG
LINER SIZE: <u>6 1/2"</u> STROKE <u>16"</u>														
MUD & CHEMICALS														
LBS. Added: KIND														
500 GEL														
150 PELTEX														
100 CARBONX														
50 LIGNOL C.M.C 50#														
50 CAUSTIC														
50 SOLTUX														
100 DEXTRO														
BOP Tested <input checked="" type="checkbox"/> DRILLER: <u>J. Kelly</u> CONTRACTOR'S TIME CO'S TIME														

TIME	MUD RECORD				BIT WT. M	TABLE RPM	PUMP		DEVIATION		START	STOP	HRS.	WORK RECORD
	WT.	VISC.	W.L.	F.C.			SPM	PRESS	DEPTH	DEG.				
10 A.M.	9.6	61	3.6	3/32			56	850						
NOON	9.6	59					✓	✓						
2 P.M.	9.6	55					56	850						
4 P.M.	9.6	54			50	35	-	-	-	-				
LINER SIZE: <u>6 1/2"</u> STROKE <u>15"</u>														
MUD & CHEMICALS														
LBS. Added: KIND														
BOP Tested <input type="checkbox"/> DRILLER: CONTRACTOR'S TIME CO'S TIME														

TIME	MUD RECORD				BIT WT. M	TABLE RPM	PUMP		DEVIATION		START	STOP	HRS.	WORK RECORD
	WT.	VISC.	W.L.	F.C.			SPM	PRESS	DEPTH	DEG.				
6 P.M.	9.6	52			50	35	56	850			12:00	1:30	1 1/2	DRAG 8 5/8" HOLE
8 P.M.	9.6	51			✓	✓	✓	✓			1:30	1:45	1/4	RIG SERVICE + CLOSE 4 1/2" RINGS.
10 P.M.	9.6	61									1:45	2:15	1/2	WELD LEAK IN 4" MUD LINE.
12 P.M.	9.6	59			40	35	56	850	-	-	2:15	8:00	5 3/4	DRAG 8 5/8" HOLE
LINER SIZE: <u>6 1/2"</u> STROKE <u>15"</u>														
MUD & CHEMICALS														
LBS. Added: KIND LBS. ON HAND														
500 GEL														
150 PELTEX														
100 CARBONX														
50 CAUSTIC														
50 CEMEX														
50 SOLTUX														
50 LIGNOL														
BOP Tested <input checked="" type="checkbox"/> DRILLER: <u>B. Arthur</u> CONTRACTOR'S TIME CO'S TIME														

CASING TESTED TO: PSI. MIN. FORMATION TESTED: PSI. MIN. EQUIPMENT FAILURES

RIG FUEL CONSUMPTION: GALS BOILER FUEL CONSUMPTION: GALS WIRELINE TON MILE TOOL PUSHER: 4/11

MOBIL OIL OF CANADA, LTD.

DATE July 12/65

No. 35 D. LY TIME SHEET

DRILLING REPORT

No. 35

Well BIRCH YTB-34

CONTRACTOR PARKER DRILLING

RIG No. 10

Approved _____ Date 7/5/65

WORK RECORD

12 - 8 TOUR

FROM TO FOOTAGE HRS. SIZE

Tour 1 Midnite to 8 A.M. Hrs.

1 HORIZ
HOLE
W/ STAND PIPE

DRILLED 4192 4217 25 11 5/8"
REAMED
CORED

DRILLER FRANK THOMAS 12
DERRICK M. CONNOR 12
MOTORMAN L. HOUNSHELL 12
FLOORMAN W. RYAN 12
FLOORMAN V. HANSEN 12
FIREMAN

TALLY BIT RECORD

No. LENGTH BIT No. 39
36 STANDS 3323.74 SIZE 8 3/8
1 SINGLE 3108 MAKE ITC
29 D.C.'s 544.11 TYPE RG1
REMARK 5'2" SERIAL 78057
JET SIZE 3 1/16
FROM 4175
TO 4217
FOOTAGE 42
KELLY IN 1257 HRS. 19 1/4
TOTAL 4217 COND. DULL
RAT HOLE TOP

REMARKS AND INJURIES:

CONTRACTOR'S TIME

CO's TIME

8 - 4 TOUR

FROM TO FOOTAGE HRS. SIZE

Tour 2 8 A.M. to 4 P.M. Hrs.

DRILLED
REAMED
CORED

~~DRILLER~~ G. DUNN 12
~~DERRICK~~ JOE PAUL 12
~~MOTORMAN~~ BILL HUNTER 12
~~FLOORMAN~~ H. HANSEN 12
FIREMAN

TALLY BIT RECORD

No. LENGTH BIT No.
STANDS
SINGLE
D.C.'s
JET SIZE
FROM
TO
FOOTAGE
KELLY IN
TOTAL
RAT HOLE TOP

REMARKS AND INJURIES:

CONTRACTOR'S TIME

CO's TIME

4 - 12 TOUR

FROM TO FOOTAGE HRS. SIZE

Tour 3 4 P.M. to Midnite Hrs.

Hole
+ CLOSE 4 1/2" RHAPS.
IN 4" HUB LINE.
Hole
+ CLEAN 3' FILL
HOLE

DRILLED 4217 4236 19 8 1/2 8 5/8
REAMED
CORED

DRILLER G. SCHMIDT 12
DERRICK W. LINDA 12
MOTORMAN L. FUELLICH 12
FLOORMAN J. FREY 12
FLOORMAN D. HEBNER 12
FIREMAN J. BURRELL 12

TALLY BIT RECORD

No. LENGTH BIT No. 40
36 STANDS 3323.74 SIZE 8 7/8 8 5/8
1 SINGLE 3108 MAKE ITC REED
41 D.C.'s 344.11 TYPE RG1 YCG
5.20 SERIAL 78057 501284
JET SIZE 3 1/16 1/16
FROM 4175 4233
TO 4233 4236
FOOTAGE 58 5
KELLY IN 31.87 HRS. 27 1 1/4
TOTAL 4236 COND. 2-4-1 DRLG
RAT HOLE TOP

REMARKS AND INJURIES:

CONTRACTOR'S TIME

CO's TIME

MIN. EQUIPMENT FAILURES TIME LOST
TOOL PUSHER: [Signature]

APPROVED: [Signature]

CALGARY OFFICE

SOCONY MOBIL OIL OF CANADA, LTD.

DAILY DRILLING REPORT

FIELD or AREA: EAGLE PLAINS WELL NAME & No. BIRCH YTB-34 CONTRACTOR PARTRER DRILLING

TIME	MUD RECORD				BIT WT. M	TABLE RPM	PUMP		DEVIATION		START	STOP	HRS.	WORK RECORD
	WT.	VISC.	W.L.	F.C.			SPM	PRESS	DEPTH	DEG.				
2 A.M.	9.6	55	4.8	1/2			63	1000	4166	1 1/2	1200	145	1 3/4	DRILL 8 3/8 HOLE
4 A.M.											145	200	1 1/4	DROP SURVEY @ 4166
6 A.M.											200	315	1 1/4	TRIP OUT
8 A.M.	9.6	55	4.8	1/2			63	1000			315	330	1 1/4	SERVICE RIG V MOTOR SHUT OFF'S
											330	445	1 1/4	TRIP IN W/ BIT # 38
											445	530	3/4	BREAK CIRCL & CLEAN 15' TO BOTTOM
											5-30	10:00	4 1/2	DRILL 8 3/8 HOLE
											10:00	11:25	1 1/4	TRIP OUT
											11:15	12:00	3/4	CHANGE BIT RUN IN WELL COLLARS

MUD & CHEMICALS												BOP Tested	DRILLER: <u>F. K...</u>	CONTRACTOR'S TIME	CO'S TIME
LBS. Added	KIND														
500	GEL														
150	BROXIN														
100	CARBONOX														
50	CAUSTIC														
50	LIGNOX														
50	CELLET														
100	DETRID														

TIME	MUD RECORD				BIT WT. M	TABLE RPM	PUMP		DEVIATION		START	STOP	HRS.	WORK RECORD
	WT.	VISC.	W.L.	F.C.			SPM	PRESS	DEPTH	DEG.				
10 A.M.	9.6	59					63	1000						
NOON														
2 P.M.	9.6	55			45	35	64	500						
4 P.M.	9.6	53												

MUD & CHEMICALS												BOP Tested	DRILLER:	CONTRACTOR'S TIME	CO'S TIME
LBS. Added	KIND														

TIME	MUD RECORD				BIT WT. M	TABLE RPM	PUMP		DEVIATION		START	STOP	HRS.	WORK RECORD
	WT.	VISC.	W.L.	F.C.			SPM	PRESS	DEPTH	DEG.				
6 P.M.	9.6	49			45	35	58	850			1200	1245	3/4	SLIP & CUT 60' DRILL LINE
8 P.M.	9.6	66									1245	1:00	1/4	RIG SERV. + CLOSE 4 1/2 PIPE RINGS
10 P.M.	9.6	65	4.0	3/2	50	35	58	850			1:00	1:30	1/2	RUN IN W/ BIT # 31.
12 P.M.											1:30	3:30	2	BREAK CIRCL. + CLEAN 10' FILL.
											3:30	12:00	8 1/2	DRILL 8 3/8 HOLE.

MUD & CHEMICALS												BOP Tested	DRILLER: <u>B. B...</u>	CONTRACTOR'S TIME	CO'S TIME
LBS. Added	KIND														
500	GEL														
150	PELTEX														
50	CAUSTIC														
50	SOLTEX														
50	LIGNOX														
100	CARBONOX														
50	CELLET														

CASING TESTED TO:	PSI.	MIN.	FORMATION TESTED	PSI.	MIN.	EQUIPMENT FAILURES
RIG FUEL CONSUMPTION	GALS	BOILER FUEL CONSUMPTION	GALS	WIRELINE TON MILE	TOOL PUSHER:	<u>[Signature]</u>

MOBIL OIL OF CANADA, LTD.

DATE *May 6/65*

No *34* DAILY TIME SHEET

2-35

DRILLING REPORT

No *34*

CONTRACTOR *PARTNER DRILLING*

RIG No. *10*

Approved

Date *6/5/65*

WORK RECORD

12 - 8 TOUR

FROM TO FOOTAGE HRS. SIZE

Tour 1 Midnite to 8 A.M. Hrs.

DRILLED *4160 4175 15 6 1/4 8 3/8*
REAMED
CORED

DRILLER *F KREMP 12*
DERRICK *M O'BRIEN 12*
MOTORMAN *L. Houshmand 12*
FLOORMAN *W RYKS 12*
FLOORMAN *J HICKET 12*
FIREMAN

4166
Motor SHUT OFF'S
BIT # 38
4' Clean 15' To Bottom
4' fill
Rund 1st Drill Collars

TALLY

BIT RECORD

No. LENGTH BIT No. *37 38 39*
STANDS *332.62* SIZE *8 3/8 8 3/8 8 3/8*
SINGLE *61.39* MAKE *SEC HTC R61*
D.C.'s *844.11* TYPE *H-7 WT MIC*
520 SERIAL *76268 521504 78051*
JET SIZE *Cent. Cent 3 1/16*
FROM *4160 4166*
TO *4166 4175*
FOOTAGE *65 9*
KELLY IN *33* HRS. *14 4 1/2*
TOTAL *4175* COND. *3-3-14-14*
RAT HOLE TOP

REMARKS AND INJURIES:

CONTRACTOR'S TIME

CO'S. TIME

8 - 4 TOUR

FROM TO FOOTAGE HRS. SIZE

Tour 2 8 A.M. to 4 P.M. Hrs.

DRILLED
REAMED
CORED

DRILLER *G. DOWDLE 12*
DERRICK *Joe Pikel 12*
MOTORMAN *Bill Hamner 12*
FLOORMAN *H. Houshmand 12*
FLOORMAN
FIREMAN

CONTRACTOR'S TIME
CO'S. TIME

TALLY

BIT RECORD

No. LENGTH BIT No.
STANDS
SINGLE
D.C.'s
KELLY IN
TOTAL
RAT HOLE TOP

REMARKS AND INJURIES:

CONTRACTOR'S TIME

CO'S. TIME

4 - 12 TOUR

FROM TO FOOTAGE HRS. SIZE

Tour 3 4 P.M. to Midnite Hrs.

DRILLED *4175 4192 17 3 1/2 8 3/8*
REAMED
CORED

DRILLER *G. BURHURST 12*
DERRICK *W. RYKS 12*
MOTORMAN *R. PASCHICH 12*
FLOORMAN *J. FREY 12*
FLOORMAN *D. HEDNER 12*
FIREMAN *J. BIRRELL 12*

0' DRUG LINE
0.25 4 1/2 Pipe Rams-
Bit # 39.
CLEAN 10' FILL.

TALLY

BIT RECORD

No. LENGTH BIT No. *39*
STANDS *332.74* SIZE *8 3/8*
SINGLE MAKE *HTC*
D.C.'s *844.11* TYPE *R61*
520 SERIAL *78057*
JET SIZE *1 1/16*
FROM *4175*
TO *4192*
FOOTAGE *17*
KELLY IN *18.95* HRS. *3 1/2*
TOTAL *4192* COND.
RAT HOLE TOP

REMARKS AND INJURIES:

CONTRACTOR'S TIME

CO'S. TIME

MIN. EQUIPMENT FAILURES

TIME LOST

TON MILE

TOOL PUSHER: *[Signature]*

APPROVED: *[Signature]*

CALGARY OFFICE

SOCONY MOBIL OIL OF CANADA, LTD.

DAILY DRILLING REPORT

FIELD or AREA: EAGLE PLAINS WELL NAME & No. BIRCH 478-34 CONTRACTOR PARKER DRILLING

TIME	MUD RECORD				BIT WT. M	TABLE		PUMP		DEVIATION		START	STOP	HRS.	WORK RECORD	TOUR	
	WT.	VISC.	W.L.	F.C.		RPM	SPM	PRESS	DEPTH	DEG.							
2 A.M.	9.6	56	5.0	7/32	45	58	63	1050				12 ⁰⁰	12 ¹⁵	1/4	SERVICE RIG ✓ HYPN DRUG 8 7/8 HOLE DRUG SURVEY @ 4100 (MISKIN) TRIP FOR NEW BIT. DRENK CIRC & CLEAN 18' HILL TO BOTTOM DRUG 8 7/8 HOLE	12-8 TOUR	
4 A.M.	9.6	60			45	58						12 ¹⁵	7 ¹⁵	7			
6 A.M.	9.6	59	4.8	7/32	50	58						7 ³⁰	10 ³⁰	3			
8 A.M.												11 ³⁰	12 ⁰⁰	1/2			
LINER SIZE: <u>6 1/2"</u> STROKE <u>16"</u> MUD & CHEMICALS LBS. Added: <u>500 GEL</u> <u>150 Q BROXIN</u> <u>50 CAUSTIC</u> <u>100 CARBONOX</u> <u>50 LIGNOX</u> <u>50 CELLEX</u> <u>50 SOLTEX</u>																	
BOP Tested <input checked="" type="checkbox"/> DRILLER: <u>F. Kroy</u> CONTRACTOR'S TIME _____ CO'S TIME _____																	
10 A.M.																8-4 TOUR	
NOON	9.6	58		7/32			63	1000									
2 P.M.	9.6	54															
4 P.M.	9.6	50															
LINER SIZE: _____ STROKE _____ MUD & CHEMICALS LBS. Added: _____ KIND _____																	
BOP Tested _____ DRILLER: _____ CONTRACTOR'S TIME _____ CO'S TIME _____																	
6 P.M.	9.6	47			45	58	63	1000				12 ⁰⁰	12 ¹⁵	1/4	RIG SERVICE & CLOSE PIPE PLANTS. DRUG 8 7/8 HOLE	4-12 TOUR	
8 P.M.	9.6	46										12 ¹⁵	12 ⁰⁰	11 3/8			
10 P.M.	9.6	55	4.3	7/32	45	58	63	1000									
12 P.M.																	
LINER SIZE: <u>6 1/2"</u> STROKE <u>15"</u> MUD & CHEMICALS LBS. Added: <u>600 GEL</u> <u>100 Q BROXIN</u> <u>LIGNOX 50</u> <u>50 PELTEX</u> <u>DEXTRID 150</u> <u>100 CARBONOX</u> <u>50 CELLEX</u> <u>50 CAUSTIC</u> <u>50 SOLTEX</u>																	
BOP Tested <input checked="" type="checkbox"/> DRILLER: <u>B. ...</u> CONTRACTOR'S TIME _____ CO'S TIME _____																	

CASING TESTED TO: _____ PSI. MIN. FORMATION TESTED _____ PSI. MIN. EQUIPMENT FAILURES _____
 RIG FUEL CONSUMPTION _____ GALS BOILER FUEL CONSUMPTION _____ GALS WIRELINE TON MILE _____ TOOL PUSHER: _____

MOBIL OIL OF CANADA, LTD.

DATE 11/15/65

No. 33 DAILY TIME SHEET 335

DRILLING REPORT

No. 33

Well DIRLH 476-34

CONTRACTOR PARKER DRILLING

RIG No. 10

Approved _____ Date 5/5/65

WORK RECORD		12 - 8 TOUR		FROM	TO	FOOTAGE	HRS.	SIZE	Tour 1	Midnite to 8 A.M.	Hrs.
✓ H.D.R.		DRILLED		4070	4103	33	7 1/2	8 3/8	DRILLER	F. KEMP	12
✓ HOLE		REAMED							DERRICK	M. O'BRIEN	12
✓ 5 @ 4101 (MISSED)		CORED							MOTORMAN	L. HOUGHMAN	12
✓ NEW BIT.		TALLY		BIT RECORD				FLOORMAN		W. RYKS	12
✓ CLEAN 18' FILL TO BOTTOM		No.	LENGTH	BIT No.	36	37			FLOORMAN	V. HICKEY	12
✓ HOLE		STANDS	3232.02	SIZE	8 7/8	8 7/8			FIREMAN		
		SINGLE		MAKE	SEL	SEL			REMARKS AND INJURIES:		
		D.C.'s	844.11	TYPE	H7	H-7					
			5.20	SERIAL	797331	762168					
		KELLY IN		JET SIZE	Coat	Coat					
		TOTAL	21.67	FROM	4046	4101					
		RAT HOLE TOP	4103	TO	4101	4103					
				FOOTAGE	55	2					
				HRS.	234	1/2					
				COND.	3-21	DULL					

CONTRACTOR'S TIME		CO's. TIME		8 - 4 TOUR		FROM	TO	FOOTAGE	HRS.	SIZE	Tour 2	8 A.M. to 4 P.M.	Hrs.
		DRILLED									DRILLER	G. [unclear]	12
		REAMED									DERRICK	Joe [unclear]	12
		CORED									MOTORMAN	Bill [unclear]	12
		TALLY		BIT RECORD						FLOORMAN		H. [unclear]	12
		No.	LENGTH	BIT No.							FLOORMAN		
		STANDS		SIZE							FIREMAN		
		SINGLE		MAKE							REMARKS AND INJURIES:		
		D.C.'s		TYPE									
				SERIAL									
		KELLY IN		JET SIZE									
		TOTAL		FROM									
		RAT HOLE TOP		TO									
				FOOTAGE									
				HRS.									
				COND.									

CONTRACTOR'S TIME		CO's. TIME		4 - 12 TOUR		FROM	TO	FOOTAGE	HRS.	SIZE	Tour 3	4 P.M. to Midnite	Hrs.
		DRILLED		4103	4160	57	11 1/4	8 3/8	DRILLER	G. BURHURST	12		
		REAMED							DERRICK	W. RYKS	12		
		CORED							MOTORMAN	P. PASCHICH	12		
		TALLY		BIT RECORD						FLOORMAN		J. FREE	12
		No.	LENGTH	BIT No.	37						FLOORMAN	D. HEBNER	12
		STANDS	3232.02	SIZE	8 7/8						FIREMAN	J. BARRELL	10
		SINGLE	61.39	MAKE	SEL						REMARKS AND INJURIES:		
		D.C.'s	844.11	TYPE	H7								
			5.20	SERIAL	762168								
		KELLY IN		JET SIZE	Coat								
		TOTAL	82.3	FROM	4101								
		RAT HOLE TOP	4160	TO	4160								
				FOOTAGE	59								
				HRS.	12 1/4								
				COND.	2-16								

MIN. EQUIPMENT FAILURES TIME LOST APPROVED: [Signature] CALGARY OFFICE

SOCONY MOBIL OIL OF CANADA, LTD.

DAILY DRILLING REPORT

FIELD or AREA: EAGLE PLAINS WELL NAME & No. BIRCH YTB-34 CONTRACTOR POWER DRILLING

TIME	MUD RECORD				BIT WT. M	TABLE		PUMP		DEVIATION		START	STOP	HRS.	WORK RECORD	12-8 TOUR
	WT.	VISC.	W.L.	F.C.		RPM	SPM	PRESS	DEPTH	DEG.						
2 P.M.	9.7	61	4.4	3/32				55	850			1200	1215		4 SERVICE RIG CLOSE BLIND RANIS	
4 A.M.	9.7	60			40	48		✓	✓			1215	115		1 TRIP IN W/ BIT #35	
6 A.M.	9.7	60	4.6	3/32	45	48		✓	✓			115	215		1 BREAK CIRC & CLEAN 25' TO BOTTOM	
8 A.M.	9.7	58			45	48		55	850			215	1200		9 1/4 DRUG 8 3/8 HOLE	
LINER SIZE: <u>6 1/2"</u> STROKE <u>16"</u> MUD & CHEMICALS LBS. Added: <u>500 GEL 5000</u> <u>100 CARBONAT 1000</u> <u>50 CAUSTIC</u> <u>150 Q-BROXIN</u> <u>100 CELLEX SODASH. 1000</u> <u>50 SOLTEX</u> <u>50 LIGNOX</u>																
BOP Tested <input checked="" type="checkbox"/> DRILLER: <u>A Kemp</u> CONTRACTOR'S TIME _____ CO'S TIME _____																

TIME	MUD RECORD				BIT WT. M	TABLE		PUMP		DEVIATION		START	STOP	HRS.	WORK RECORD	8-4 TOUR
	WT.	VISC.	W.L.	F.C.		RPM	SPM	PRESS	DEPTH	DEG.						
10 A.M.	9.7	56	4.6	3/32	50	56		63	950							
NOON	9.7	54	4.8	3/32				✓	✓							
2 P.M.	9.7	62														
4 P.M.																
LINER SIZE: _____ STROKE _____ MUD & CHEMICALS LBS. Added: _____ KIND _____																
BOP Tested _____ DRILLER: _____ CONTRACTOR'S TIME _____ CO'S TIME _____																

TIME	MUD RECORD				BIT WT. M	TABLE		PUMP		DEVIATION		START	STOP	HRS.	WORK RECORD	4-12 TOUR
	WT.	VISC.	W.L.	F.C.		RPM	SPM	PRESS	DEPTH	DEG.						
6 P.M.	9.6	48	5.2	3/32	45	58		63	1000			1200	215		2 1/4 DRUG 8 3/8 HOLE	
8 P.M.	9.6	48			58	63		1000				215	330		1 1/4 TRIP OUT	
10 P.M.	9.6	46						✓	✓			330	345		1 1/4 RIG SERVICE & CLOSE BLIND RANIS	
12 P.M.	9.6	62										345	445		1 TRIP IN W/ BIT #36	
												445	545		1 BREAK CIRC & CLEAN 20' FILL	
												545	1200		6 1/4 DRUG 8 3/8 HOLE	
LINER SIZE: <u>6 1/2"</u> STROKE <u>15"</u> MUD & CHEMICALS LBS. Added: <u>600 GEL</u> <u>50 CELLEX CAUSTIC 100#</u> <u>250 DEXTRID SODA Ash 100#</u> <u>50 LIGNOX</u> <u>150 Q-BROXIN</u> <u>50 SOLTEX</u> <u>100 CARBONOX</u>																
BOP Tested <input checked="" type="checkbox"/> DRILLER: <u>A. Barkun</u> CONTRACTOR'S TIME _____ CO'S TIME _____																

CASING TESTED TO: _____ PSI. MIN. FORMATION TESTED _____ PSI. MIN. EQUIPMENT FAILURES _____
 RIG FUEL CONSUMPTION _____ GALS BOILER FUEL CONSUMPTION _____ GALS WIRELINE TON MILE _____ TOOL PUSHER: [Signature]

PETROBRIL OIL OF CANADA, LTD.

DATE Mar 14, 65

No. 32 DAILY TIME SHEET

LOGGING REPORT

No. 32

Well BIRCH 478-34

CONTRACTOR PARKER DRILLING

RIG No. 10

Approved

Date 4/5/65

WORK RECORD

12 - 8 TOUR

Close Blind Rams
T # 35
CLEAN 25' TO BOTTOM

DRILLED 4012 4040 28 9 7/8
REAMED
CORED

Tour 1
Midnite to 8 A.M. Hrs.
DRILLER F. KEMP 12
DERRICK M. O'BRIEN 12
MOTORMAN L. HOULAHAN 12
FLOORMAN W. RYKS 12
FLOORMAN V. HACHEY 12
FIREMAN

TALLY BIT RECORD

No. LENGTH BIT No. 35
34 STANDS 3138.00 SIZE 8 7/8
1 SINGLE 2137 MAKE HTC
29 D.C.'s 844.11 TYPE WTR-2
REMIEX 5.20 SERIAL 31090
JET SIZE CON
FROM 4012
TO 4040
KELLY IN 2132 FOOTAGE 28
TOTAL 4040 HRS. 9 7/4
COND. DRY

REMARKS AND INJURIES:

CONTRACTOR'S TIME

CO'S. TIME

RAT HOLE TOP

8 - 4 TOUR

FROM TO FOOTAGE HRS. SIZE

Tour 2 8 A.M. to 4 P.M. Hrs.

DRILLED 4040 4040 30 8 1/2
REAMED
CORED

DRILLER G. UHUNE 12
DERRICK J. PAUL 12
MOTORMAN B. HUNTER 12
FLOORMAN H. HREUSHCHAK 12
FLOORMAN
FIREMAN

TALLY BIT RECORD

No. LENGTH BIT No.
STANDS SIZE
SINGLE MAKE
D.C.'s TYPE
SERIAL
JET SIZE
FROM
TO
KELLY IN FOOTAGE
TOTAL HRS.
COND.

REMARKS AND INJURIES:

CONTRACTOR'S TIME

CO'S. TIME

RAT HOLE TOP

4 - 12 TOUR

FROM TO FOOTAGE HRS. SIZE

Tour 3 4 P.M. to Midnite Hrs.

Close Blind Rams
T # 36
CLEAN 20' FILL

DRILLED 4040 4070 30 8 1/2
REAMED
CORED

DRILLER G. BARMURST 12
DERRICK W. RINDZ 12
MOTORMAN P. PAVELICH 12
FLOORMAN J. FREY 12
FLOORMAN D. HEGNER 12
FIREMAN J. BURRELL 12

TALLY BIT RECORD

No. LENGTH BIT No. 35
34 STANDS 3138.00 SIZE 8 7/8 8 7/8
1 SINGLE 6269 MAKE HTC SEC
29 D.C.'s 844.11 TYPE WTR-2 H7
REMIEX 5.20 SERIAL 31090 7973311
JET SIZE CON CON
FROM 4012 4040
TO 4040 4070
KELLY IN 2005 FOOTAGE 34 27
TOTAL 4070 HRS. 12 6 1/4
COND. DRY

REMARKS AND INJURIES:

CONTRACTOR'S TIME

CO'S. TIME

RAT HOLE TOP

EQUIPMENT FAILURES

TIME LOST

TOOL PUSHER: [Signature]

APPROVED: [Signature]

CALGARY OFFICE

SOCONY MOBIL OIL OF CANADA, LTD.

DAILY DRILLING REPORT

FIELD or AREA: EAGLE POINTS WELL NAME & No. BIRCH 4TB-34 CONTRACTOR PARKER DRILLING

TIME	MUD RECORD				BIT WT. M	TABLE RPM	PUMP		DEVIATION		START	STOP	HRS.	WORK RECORD
	WT.	VISC.	W.L.	F.C.			SPM	PRESS	DEPTH	DEG.				
2 A.M.	9.7	56	4.2	3/32	45	36	55	800			12:00	12:15	1/4	Rig SERVICE ✓ HORIZ. ALL OK.
4 A.M.	9.7	54			45	36	✓	✓			12:15	12:00	1/4	DRAG 8 7/8" HOLE
6 A.M.	9.7	52	4.4	3/32	45	36	✓	✓						
8 A.M.	9.7	51			45	36	55	800						
LINER SIZE: <u>6 1/2"</u> STROKE <u>16"</u> MUD & CHEMICALS LBS. Added: <u>100 CARBONOX</u> <u>50 CAUSTIC</u> <u>50 SOLTEX</u> <u>800 GEL</u> <u>150 PELTEX</u> <u>50 C.H.C</u>														

TIME	MUD RECORD				BIT WT. M	TABLE RPM	PUMP		DEVIATION		START	STOP	HRS.	DRILLER: <u>F. King</u>	CONTRACTOR'S TIME	CO'S. TIME
	WT.	VISC.	W.L.	F.C.			SPM	PRESS	DEPTH	DEG.						
10 A.M.	9.7	50		3/32	45	36	55	800								
NOON	9.7	50														
2 P.M.	9.7	48			45	35	56	850								
4 P.M.	9.6	46			✓	✓	-	-								
LINER SIZE: <u>6 1/2"</u> STROKE <u>15"</u> MUD & CHEMICALS LBS. Added: <u></u> KIND <u></u>																

TIME	MUD RECORD				BIT WT. M	TABLE RPM	PUMP		DEVIATION		START	STOP	HRS.	DRILLER: <u>A. B...</u>	CONTRACTOR'S TIME	CO'S. TIME
	WT.	VISC.	W.L.	F.C.			SPM	PRESS	DEPTH	DEG.						
6 P.M.	9.6	44			45	35	56	850			12:00	12:15	1/2	Rig SERV. & CLOSE 4 1/2 RUNS.		
8 P.M.	9.6	55	5.0	3/32	4	✓	✓	✓			12:15	10:15	10	DRAG 8 7/8" HOLE		
10 P.M.	9.6	55	5.0	3/32	4	✓	✓	✓			10:15	10:30	1/4	DRAG SURVEY		
12 P.M.											10:30	12:00	1 1/2	TRIP FOR BIT		
LINER SIZE: <u></u> STROKE <u>40 1/2 13 1/4</u> MUD & CHEMICALS LBS. Added: <u>1000 GEL</u> <u>150 Q-BROXIN</u> <u>100 CARBONOX</u> <u>50 LIANOX</u> <u>50 SOLTEX</u> <u>50 CELEX</u> <u>50 CAUSTIC</u>																

CASING TESTED TO: _____ PSI. MIN. FORMATION TESTED _____ PSI. MIN. EQUIPMENT FAILURES _____

RIG FUEL CONSUMPTION _____ GALS BOILER FUEL CONSUMPTION _____ GALS WIRELINE TON MILE _____ TOOL PUSHER: ff

SOCONY MOBIL OIL OF CANADA, LTD.

DAILY DRILLING REPORT

FIELD or AREA: ENGLE PLAINS WELL NAME & No. BIRCH 418-34 CONTRACTOR PARKER DRILLING

TIME	MUD RECORD				BIT WT. M	TABLE RPM	PUMP		DEVIATION		START	STOP	HRS.	WORK RECORD
	WT.	VISC.	W.L.	F.C.			SPM	PRESS	DEPTH	DEG.				
2 A.M.	9.7	51	1.4	1/32	8	56	850	3929	1 1/8	12:00	2:15	2 1/4	DRAG 8 7/8 HOLE	
4 A.M.										2:15	3:30	1 1/4	DEEP SURVEY @ 3929	
6 A.M.	9.7	53				63	1050			3:30	4:45	1 1/4	TRIP OUT	
8 A.M.	9.7	53	1.4	1/32		62	1050			4:45	5:00	1	SERVICE TO CLOSE BLIND RINGS	
	LINER SIZE: <u>6 1/2</u>				STROKE <u>16</u>						5:00	5:45	3/4	TRIP IN
	MUD & CHEMICALS										5:45	5:50	2 1/4	BREAK CIRC - 1 CLEAN 30' TO BOTTOM
	LBS. Added		KIND								5:50	9:30	1	DRAG 8 7/8 HOLE
	800		GEL								9:30	11:00	1 1/2	WORK BIT (WINDING UP)
	150		PELTEX.								11:00	11:30	1/2	TRIP OUT
											11:30	12:00	1/2	CHANGE BIT FROM U.S. JUNK SUB
											12:00	12:00	1/2	TRIP IN

TIME	MUD RECORD				BIT WT. M	TABLE RPM	PUMP		DEVIATION		START	STOP	HRS.	WORK RECORD
	WT.	VISC.	W.L.	F.C.			SPM	PRESS	DEPTH	DEG.				
10 A.M.														
NOON														
2 P.M.														
4 P.M.	9.7	51												
	LINER SIZE:				STROKE									
	MUD & CHEMICALS													
	LBS. Added		KIND											

TIME	MUD RECORD				BIT WT. M	TABLE RPM	PUMP		DEVIATION		START	STOP	HRS.	WORK RECORD	
	WT.	VISC.	W.L.	F.C.			SPM	PRESS	DEPTH	DEG.					
6 P.M.	10.0				20	35	56	850	-	12:00	12:30	1/2	TRIP IN		
8 P.M.	9.7	48			35	35	-	-	-	12:30	12:45	1/4	R.I.G SERVICE + CLOSE 1/2 RINGS.		
10 P.M.	9.7	60	1.2							12:45	2:30	1 1/4	BREAK CIRC & CLEAN 30' FILL + REHM		
12 P.M.										2:30	2:45	1/4	2' UNDER GAUGE HOLE		
	LINER SIZE: <u>6 1/2</u>				STROKE <u>15</u>						2:45	3:00	1/4	WORK JUNK SUB	
	MUD & CHEMICALS										3:00	3:45	3/4	DRAG 8 7/8" HOLE.	
	LBS. Added		KIND		LBS. ON HAND						3:45	6:15	2 1/2	CIRC TO COND. HOLE	
	1500		GEL								6:15	7:30	1 1/4	TRIP FOR BOTTOM BIT.	
	300		PELTEX								7:30	12:00	4 1/2	CLEAN 20' FILL	
	100		CARBONIX												DRAG 8 7/8" HOLE
	100		CAUSTIC												
	100		C.M.C												

CASING TESTED TO: _____ PSI. MIN. FORMATION TESTED _____ PSI. MIN. EQUIPMENT FAILURES _____

RIG FUEL CONSUMPTION _____ GALS BOILER FUEL CONSUMPTION _____ GALS WIRELINE TON MILE _____ TOOL PUSHER: JK

BIL OIL OF CANADA, LTD.

DATE Mar 2, 65

No. 30 DAILY TIME SHEET

335

LOGGING REPORT

No. 30

CONTRACTOR Parmer Drilling

RIG No. 10

Approved

Date 2/3/65

WORK RECORD

12 - 8 TOUR

FROM TO FOOTAGE HRS. SIZE

Tour 1 Midnite to 8 A.M. Hrs.

DRILLED 3925-3936 11 5 8 3/8
REAMED
CORED

DRILLER E. BRENN 12
DERRICK M. O'BRIEN 12
MOTORMAN L. HUGHAN 12
FLOORMAN W. BYRS 12
FLOORMAN V. HANCOY 12
FIREMAN

3929

Close Blind Points

TALLY

BIT RECORD

Clean 30' To Bottom

No. 33 STANDS 3045.99
SINGLE

BIT No. 31 32
SIZE 8 5/8 8 5/8
MAKE HLC REED

(Winding Up)

No. 29 D.C.'s 544.11
520

TYPE RGT 4HWG
SERIAL 57094 E7446

W. Up Junk Sub

JET SIZE 3-9/16 CON.

FROM 3934 3929

TO 3929 3936

KELLY IN 41.50

FOOTAGE 95 7

TOTAL 3936

HRS. 34 2 3/4

RAT HOLE TOP

COND. 2-1-1 3-4-1

REMARKS AND INJURIES:

CONTRACTOR'S TIME

CO's TIME

8 - 4 TOUR

FROM TO FOOTAGE HRS. SIZE

Tour 2 8 A.M. to 4 P.M. Hrs.

DRILLED
REAMED
CORED

H.C. DRILLER G. DAWNE 12
H.C. DERRICK B. MONTER 12
C.A. MOTORMAN S. PAUL 12
M.P.C. FLOORMAN H. HROVCHAK 12
FLOORMAN
FIREMAN

TALLY

BIT RECORD

No. STANDS
SINGLE
D.C.'s

BIT No.
SIZE
MAKE
TYPE
SERIAL

KELLY IN

FOOTAGE

TOTAL

HRS.

RAT HOLE TOP

COND.

REMARKS AND INJURIES:

CONTRACTOR'S TIME

CO's TIME

4 - 12 TOUR

FROM TO FOOTAGE HRS. SIZE

Tour 3 4 P.M. to Midnite Hrs.

DRILLED 3936
REAMED
CORED

8 5/8 DRILLER G. BARNUM 12
DERRICK W. RINDE 12
MOTORMAN P. PAREICH 12
FLOORMAN J. FREY 12
FLOORMAN D. HEBNER 12
FIREMAN J. BURRELL 12

Close 4 1/2 Points.
Clean 30' Fill + Ream
Under Gauge Hole
Sub

TALLY

BIT RECORD

No. 33 STANDS 3045.79
SINGLE 30.71
D.C.'s 846.11

BIT No. 33 34
SIZE 8 5/8 8 5/8
MAKE REED HLC
TYPE 4HWG RGT 1.5

Serial 520

SERIAL 62411 B3455

JET SIZE CON 1/16

FROM 3936 3937

TO 3937 3948

KELLY IN 21.99

FOOTAGE 1 11

TOTAL 3948

HRS. 14 4 1/2

RAT HOLE TOP

COND. 1-1-1 DRUG

REMARKS AND INJURIES:

CONTRACTOR'S TIME

CO's TIME

EQUIPMENT FAILURES

TIME LOST

TOOL PUSHER: [Signature]

APPROVED: [Signature]

CALGARY OFFICE

SOCONY MOBIL OIL OF CANADA, LTD.

DAILY DRILLING REPORT

FIELD or AREA: EAGLE PLAINS WELL NAME & No. BIRCH YTB-34 CONTRACTOR PARKER DRILLING

TIME	MUD RECORD				BIT WT. M	TABLE RPM	PUMP		DEVIATION		START	STOP	HRS.	WORK RECORD				
	WT.	VISC.	W.L.	F.C.			SPM	PRESS	DEPTH	DEG.								
2 A.M.	9.9	60	4.4	7/2	50	35	57	850			12 ⁰⁰	12 ¹⁵	11 1/4	4 SERVICE RIG ✓ HYDRIL DRUG 8 5/8" HOLE				
4 A.M.	9.9	57			50	35	✓	✓										
6 A.M.	9.8	54	4.6	7/2	50	35	✓	✓										
8 A.M.	9.8	54			50	35	57	850										
LINER SIZE: <u>6 1/2"</u> STROKE <u>16"</u>																		
MUD & CHEMICALS																		
LBS. Added: <u>100 CAUSTIC</u>																		
LBS. Added: <u>150 CARBONOX</u>																		
LBS. Added: <u>50 SOLTEX</u>																		
BOP Tested <input checked="" type="checkbox"/>											DRILLER: <u>J. K...</u>				CONTRACTOR'S TIME		CO'S TIME	

TIME	MUD RECORD				BIT WT. M	TABLE RPM	PUMP		DEVIATION		START	STOP	HRS.	WORK RECORD				
	WT.	VISC.	W.L.	F.C.			SPM	PRESS	DEPTH	DEG.								
10 A.M.	9.8	53					57	800										
NOON																		
2 P.M.	4.8	9.8																
4 P.M.	4.5	9.8																
LINER SIZE:											STROKE							
MUD & CHEMICALS																		
LBS. Added: <u>50 C.M.C.</u>																		
BOP Tested											DRILLER:				CONTRACTOR'S TIME		CO'S TIME	

TIME	MUD RECORD				BIT WT. M	TABLE RPM	PUMP		DEVIATION		START	STOP	HRS.	WORK RECORD				
	WT.	VISC.	W.L.	F.C.			SPM	PRESS	DEPTH	DEG.								
6 P.M.	9.4	12			50	35	56	850	-	-	12 ⁰⁰	6 ⁰⁰	6	DRUG 8 5/8" HOLE				
8 P.M.	9.7	51	4.2		✓	✓	✓	✓			6 ⁰⁰	6 ¹⁵	11 1/4	RIG SERVICE + CLOSE 4 1/2 RINGS				
10 P.M.	9.7	48			50	35	56	850			6 ¹⁵	12 ⁰⁰	5 3/4	DRUG 8 5/8" HOLE				
12 P.M.					✓	✓	✓	✓										
LINER SIZE: <u>6 1/2"</u> STROKE <u>15"</u>																		
MUD & CHEMICALS																		
LBS. Added: <u>1000 BEL</u>																		
LBS. Added: <u>150 PELTEX</u>																		
LBS. Added: <u>100 CARBONOX</u>																		
LBS. Added: <u>50 SOLTEX</u>																		
LBS. Added: <u>50 CAUSTIC</u>																		
LBS. Added: <u>75 C.M.C.</u>																		
BOP Tested <input checked="" type="checkbox"/>											DRILLER: <u>J. B...</u>				CONTRACTOR'S TIME		CO'S TIME	

CASING TESTED TO: _____ PSI. MIN. FORMATION TESTED _____ PSI. MIN. EQUIPMENT FAILURES _____

RIG FUEL CONSUMPTION _____ GALS BOILER FUEL CONSUMPTION _____ GALS WIRELINE TON MILE _____ TOOL PUSHER: JH

BIL OIL OF CANADA, LTD.

DATE May 1, 65

No. 29 DAILY TIME SHEET 3-35

LOGGING REPORT

No. 29

CONTRACTOR PARKER DRILLING

RIG No. 10

Approved _____

Date 5/1/65

WORK RECORD

12 - 8 TOUR

FROM TO FOOTAGE HRS. SIZE

Tour 1 Midnite to 8 A.M. Hrs.

✓ HYDRIL
HOLE

DRILLED 3855-3888 33 11 3/4 5 7/8
REAMED
CORED

DRILLER F KREMP 12
DERRICK M O'BRIEN 12
MOTORMAN A. HOULWATER 12
FLOORMAN W. RYKS 12
FLOORMAN J. HACKETT 12
FIREMAN

TALLY BIT RECORD

No. LENGTH BIT No. 31
32 STANDS 2933.66 SIZE 8 7/8
2 SINGLE 59.48 MAKE HTC
29 D.C.'s 844.11 TYPE RG75
Permanec 5.20 SERIAL 59094
JET SIZE 3-9/16
FROM 3834
TO 3888
KELLY IN 23.55 FOOTAGE 54
TOTAL 3888 HRS. 20
COND. DRUG

REMARKS AND INJURIES:

CONTRACTOR'S TIME

CO's TIME

8 - 4 TOUR

FROM TO FOOTAGE HRS. SIZE

Tour 2 8 A.M. to 4 P.M. Hrs.

DRILLED
REAMED
CORED

DRILLER G. DAWSON 12
DERRICK B. HUNTER 12
MOTORMAN JOE PAUL 12
FLOORMAN H. HANSEN 12
FLOORMAN
FIREMAN

TALLY BIT RECORD

No. LENGTH BIT No.
STANDS
SINGLE
D.C.'s
TYPE
SERIAL
JET SIZE
FROM
TO
KELLY IN
FOOTAGE
TOTAL
HRS.
COND.

REMARKS AND INJURIES:

CONTRACTOR'S TIME

CO's TIME

4 - 12 TOUR

FROM TO FOOTAGE HRS. SIZE

Tour 3 4 P.M. to Midnite Hrs.

12
* CLOSE 4 1/2 RINGS
HOLE

DRILLED 3888 3925 37 11 3/4 5 7/8
REAMED
CORED

DRILLER G. BARNHART 12
DERRICK W. RYKS 12
MOTORMAN P. PAVELICH 12
FLOORMAN J. FREY 12
FLOORMAN D. HEBNER 12
FIREMAN J. BURNELL 12

TALLY BIT RECORD

No. LENGTH BIT No. 31
33 STANDS 3095.99 SIZE 8 5/8
SINGLE - MAKE HTC
29 D.C.'s 844.11 TYPE RG7-XJ
5.20 SERIAL 59094
JET SIZE 1 1/16
FROM 3834
TO 3925
KELLY IN 29.70 FOOTAGE 91
TOTAL 3925 HRS. 31 1/4
COND. DRUG

REMARKS AND INJURIES:

CONTRACTOR'S TIME

CO's TIME

MIN. EQUIPMENT FAILURES

TIME LOST

TON MILE TOOL PUSHER: _____

APPROVED: _____

CALGARY OFFICE

BIL OIL OF CANADA, LTD.

DATE APRIL 30, 65

No. 28 DAILY TIME SHEET

3.35

LOGGING REPORT

No. 28

Well BIRCH

CONTRACTOR PARKER DRILLING

RIG No. 10

Approved

Date 4/30/65

WORK RECORD

12 - 8 TOUR

FROM TO FOOTAGE HRS. SIZE

Tour 1 Midnite to 8 A.M. Hrs.

DRILLED 3813 3833 20 9 8 7/8
REAMED
CORED

DRILLER F. KREOP 12
DERRICK M. O'BRIEN 12
MOTORMAN L. HOUAHAN 12
FLOORMAN W. KYKS 12
FLOORMAN V. HACHEY 12
FIREMAN

USE BLIND RIGS

TALLY

BIT RECORD

UNDER GUMME WIRE TO BOTTOM

No. LENGTH BIT No. 29 30
33 STANDS 304.79 SIZE 8 7/8 8 7/8
SINGLE MAKE SEC REED
26 D.C.'s 76.11 TYPE S-6 YHUG
5.70 SERIAL 700395 E74412
JET SIZE Con Con
FROM 3813 3818
TO 3818 3833
KELLY IN 22 FOOTAGE 5 15
TOTAL 3833 HRS. 2 7/4 6 1/4
COND. 4-2.0 Run

REMARKS AND INJURIES:

CONTRACTOR'S TIME

CO'S TIME

RAT HOLE TOP

8 - 4 TOUR

FROM TO FOOTAGE HRS. SIZE

Tour 2 8 A.M. to 4 P.M. Hrs.

DRILLED
REAMED
CORED

DRILLER G. DAWNE 12 H.C.
DERRICK B. HUNTER 12 A.C.
MOTORMAN S. PAUL 12 C.A.
FLOORMAN M. HROSHCHUK 12 MBO.
FLOORMAN
FIREMAN

TALLY

BIT RECORD

CONTRACTOR'S TIME

CO'S TIME

RAT HOLE TOP

4 - 12 TOUR

FROM TO FOOTAGE HRS. SIZE

Tour 3 4 P.M. to Midnite Hrs.

DRILLED 3833 3855 22 9 1/4 8 7/8
REAMED
CORED

DRILLER G. BARTHURST 12
DERRICK W. RINAS 12
MOTORMAN P. PADELICH 12
FLOORMAN J. FREY 12
FLOORMAN D. HEZNER 12
FIREMAN J. BURRELL 12

1/2 R B.T
CLOSE BLIND RIGS.
RT # 51 + Pick Up 3 COLLAR.
CLEAN TO BOTTOM 4'

No. LENGTH BIT No. 30 30
32 STANDS 2955.64 SIZE 8 7/8 8 7/8
SINGLE 28.80 MAKE REED HIC
29 D.C.'s 844.11 TYPE YHWARGT-AS
SERIAL E74412 57094
JET SIZE Con 1/16
FROM 3818 3834
TO 3834 3855
KELLY IN 16.23 FOOTAGE 16 21
TOTAL 3855 HRS. 7 1/4 8 1/4
COND. 4-1.1 Dry

REMARKS AND INJURIES:

CONTRACTOR'S TIME

CO'S TIME

RAT HOLE TOP

MIN.

EQUIPMENT FAILURES

TIME LOST

ON MILE

TOOL PUSHER: [Signature]

APPROVED: [Signature]

CALGARY OFFICE

SOCONY MOBIL OIL OF CANADA, LTD.

DAILY DRILLING REPORT

FIELD or AREA: *ENGLE PLAINS* WELL NAME & No. *BIRCH YTB-34* CONTRACTOR *PERKINS DRILLING*

TIME	MUD RECORD				BIT WT. M	TABLE RPM	PUMP		DEVIATION		START	STOP	HRS.	WORK RECORD	12-8 TOUR
	WT.	VISC.	W.L.	F.C.			SPM	PRESS	DEPTH	DEG.					
2 A.M.	9.9	63	52	3/32	45	60	63	1050	3711	1 3/4	12:00	12:15	1/4	SERVICE HILL V 1 1/2 PIPE THIMS	
4 A.M.	10.1	63									12:15	5:00	1/4	DRUG 8 3/8 HOLE	
6 A.M.											5:00	7:45	2 3/4	TRIP FOR NEW BIT DROP SURVEY @ 3711'	
8 A.M.											7:45	8:15	1/2	BREAK CIRC CLEAN 15' TO BOTTOM	
											8:15	12:00	3 3/4	DRUG 8 3/8 HOLE	

LINER SIZE: *6 1/2* STROKE *16"*
MUD & CHEMICALS
LBS. Added: *50 CAUSTIC*
100 CARBONOX
CLEANED SHAKER TANK.

BOP Tested DRILLER: *J. King* CONTRACTOR'S TIME CO'S TIME

TIME	MUD RECORD				BIT WT. M	TABLE RPM	PUMP		DEVIATION		START	STOP	HRS.	WORK RECORD	8-4 TOUR
	WT.	VISC.	W.L.	F.C.			SPM	PRESS	DEPTH	DEG.					
10 A.M.	10.0	64	50	3/32	45	60	63	1050							
NOON	10.0	66													
2 P.M.	10.0	63													
4 P.M.	10.1	59			45	60	63	1050							

LINER SIZE: STROKE
MUD & CHEMICALS
LBS. Added: *800 GEL*
150 PELTEX
150 CARBONOX
50 SOLTEX
100 CAUSTIC
50 C.M.C.

BOP Tested DRILLER: *J. King* CONTRACTOR'S TIME CO'S TIME

TIME	MUD RECORD				BIT WT. M	TABLE RPM	PUMP		DEVIATION		START	STOP	HRS.	WORK RECORD	4-12 TOUR
	WT.	VISC.	W.L.	F.C.			SPM	PRESS	DEPTH	DEG.					
6 P.M.	10.1	56			50	60	63	1050	8813	1 1/4	12:00	12:15	1/4	Rig Serv. & Close Hydril	
8 P.M.	10.1	68									12:15	9:40	7 1/4	DRILL 8 7/8 HOLE	
10 P.M.											9:40	9:45	1/4	DROP SURVEY @ 2013 - 1 3/4"	
12 P.M.											9:45	11:45	2	TRIP FOR BIT & SERVICE WEAR SUB	
											11:45	12:00	1/4	BREAK CIRC. & CLEAN 10' FILL	

LINER SIZE: *6 1/2* STROKE *15"*
MUD & CHEMICALS
LBS. Added: *1000 GEL*
50 SOLTEX
150 PELTEX
100 CARBONOX
50 CAUSTIC
75 C.M.C.

BOP Tested DRILLER: *J. King* CONTRACTOR'S TIME CO'S TIME

CASING TESTED TO: PSI. MIN. FORMATION TESTED: PSI. MIN. EQUIPMENT FAILURES:
RIG FUEL CONSUMPTION: GALS BOILER FUEL CONSUMPTION: GALS WIRELINE TON MILE: TOOL PUSHER: *JH*

L OIL OF CANADA, LTD.

DATE April 29, 65

No. 27 DAILY TIME SHEET 335

LOG REPORT

No. 27

Well BIRCH

CONTRACTOR Perkins Drilling

RIG No. 10

Approved

Date 4/29/65

WORK RECORD

12 - 8 TOUR

1 1/2 PIPE BIRMS

BIT DROP SURVEY @ 3714'
FROM 15' TO BOTTOM

DRILLED	FROM	TO	FOOTAGE	HRS.	SIZE
REAMED	3667	3744	75	8 1/2	8 1/2
CORED					

TALLY

BIT RECORD

No.	LENGTH
32 STANDS	2956.90
SINGLE	
26 D.C.'s	760.17
	5.20

BIT No.	SIZE	MAKE	TYPE	SERIAL	JET SIZE	FROM	TO	FOOTAGE	HRS.	COND.
27	28	SEC	HTC	6797142147	Con. Con.	3604	3713	109	3 1/4	3-21
29	28	SEC	HTC			3713	3744			

KELLY IN 22

TOTAL 3744

RAT HOLE TOP

Tour 1	Midnite to 8 A.M.	Hrs.
DRILLER	<u>F. KREMP</u>	<u>12</u>
DERRICK	<u>M. O'BRIEN</u>	<u>12</u>
MOTORMAN	<u>A. HOULAHAN</u>	<u>12</u>
FLOORMAN	<u>W. BYKS</u>	<u>12</u>
FLOORMAN	<u>V. HACKETT</u>	<u>12</u>

W. BYKS 12
W. BYKS 12
NOTIFIED FOR IPR. 26 & 27
REMARKS AND INJURIES:

CONTRACTOR'S TIME

CO'S TIME

8 - 4 TOUR

FROM TO FOOTAGE HRS. SIZE

DRILLED
REAMED
CORED

TALLY

BIT RECORD

No.	LENGTH
STANDS	
SINGLE	
D.C.'s	

BIT No.	SIZE	MAKE	TYPE	SERIAL	JET SIZE	FROM	TO	FOOTAGE	HRS.	COND.

KELLY IN

TOTAL

RAT HOLE TOP

Tour 2	8 A.M. to 4 P.M.	Hrs.
DRILLER	<u>B. DAWNS</u>	<u>12</u>
DERRICK	<u>B. HUNTER</u>	<u>12</u>
MOTORMAN	<u>J. PAUL</u>	<u>12</u>
FLOORMAN	<u>H. HAVILLAND</u>	<u>12</u>
FLOORMAN		
FIREMAN		

REMARKS AND INJURIES:

CONTRACTOR'S TIME

CO'S TIME

4 - 12 TOUR

FROM TO FOOTAGE HRS. SIZE

DRILLED
REAMED
CORED

TALLY

BIT RECORD

No.	LENGTH
2 STANDS	226.70
SINGLE	60.49
26 D.C.'s	760.17
	5.20

BIT No.	SIZE	MAKE	TYPE	SERIAL	JET SIZE	FROM	TO	FOOTAGE	HRS.	COND.
28	29	HTC	SEC	42197	Con Con	3713	3813	100	13	3-21
29	28	HTC	SEC							

KELLY IN 30.24

TOTAL 3813

RAT HOLE TOP

Tour 3	4 P.M. to Midnite	Hrs.
DRILLER	<u>G. BARHUNST</u>	<u>12</u>
DERRICK	<u>W. PINAS</u>	<u>12</u>
MOTORMAN	<u>P. FAJELLEH</u>	<u>12</u>
FLOORMAN	<u>J. FREY</u>	<u>12</u>
FLOORMAN	<u>D. HELBNER</u>	<u>12</u>
FIREMAN	<u>J. BURRELL</u>	<u>12</u>

REMARKS AND INJURIES:

CONTRACTOR'S TIME

CO'S TIME

EQUIPMENT FAILURES

TIME LOST

TOOL PUSHER: [Signature]

APPROVED: [Signature]

CALGARY OFFICE

SOCONY MOBIL OIL OF CANADA, LTD.
CORE REPORT

CONTRACTOR PARKER DRILLING Co. AREA ENGLE PLAINS LOCATION YTB-311
THIS SECTION TO BE FILLED AT THE WELL

DATE	CORE NO.	DEPTH CORED		FOOTAGE CORED	TIME			% RECO. VERY	CORE BIT					BARREL	PLUMP		TABLE RPM	FOOTAGE CORED	HRS. CORING
		FROM	TO		START	STOP	MIN. CORING		NO.	MAKE	SIZE	TYPE	SER. NO.		SPM	PRESS			
28/65	5	3594	3595	1	6:31	7:28	57												
		3595	3596	2	7:28	8:14	46		CHRIST	6 3/8	◇	FC1506	220	4M	44	725	66		
		3596	3597	3	8:14	8:52	43							6M	44	725	66		
		3597	3598	4	8:52	9:41	44							9M	44	750	66		
		3598	3599	5	9:41	10:24	43							9	44	775	66		
		3599	3600	6	10:24	11:09	45							9	44	775	66		
		3600	3601	7	11:09	11:53	42							9	44	775	66		
		3601	3602	8	11:53	12:36	44							9	44	775	66		
		3602	3603	9	12:36	1:18	42							9	44	775	66		
		3603	3604	10	1:18									9	44	775	66		
		3604				2:00	42												

RECOVERED 9.7

DISTRIBUTION: WHITE - TO CALGARY OFFICE; YELLOW - TO FIELD OFFICE;

SOCONY MOBIL OIL OF CANADA, LTD.

DAILY DRILLING REPORT

FIELD or AREA: ENGLE PLAINS WELL NAME & No.: BIRCH YTB-34 CONTRACTOR: PARKER DRILLING

MUD RECORD										BIT		TABLE		PUMP		DEVIATION		START	STOP	HRS.	WORK RECORD		12-8 TOUR
WT.	VISC.	W.L.	F.C.	WT.	M	RPM	SPM	PRESS	DEPTH	DEG.													
														12 ⁰⁰ 12 ³⁰		1/2	CIRC TO CORE						
														12 ³⁰ 12 ⁴⁵		1/4	WHAISE 5 STD. DUMMY TRIP						
														12 ⁴⁵ 1 ⁰⁰		1	CIRC TO CORE						
														1 ⁰⁰ 3 ⁰⁰		1 1/2	TRIP OUT						
														3 ⁰⁰ 4 ¹⁵		1 1/4	SLIP & CUT 60' DRILL LINE						
														4 ¹⁵ 4 ³⁰		1/4	BIG SERVICE CLOSE BLIND RAILS						
														4 ³⁰ 5 ⁴⁵		1 1/4	PICK UP CORE BBL. TRIP IN						
														5 ⁴⁵ 6 ¹⁵		1/2	BREAK LINE 1 CORE LINE BBL. TO BOTTOM						
														6 ¹⁵ 2 ⁰⁰		5/8	CUT CORE #5						

MUD & CHEMICALS

LBS. Added	KIND
600	GEL
150	PELTEX
100	CARBONOX
50	CAUSTIC
50	SOLTEX
50	C.M.C.

DRILLER: J. King CONTRACTOR'S TIME: _____ CO'S TIME: _____

MUD RECORD										BIT		TABLE		PUMP		DEVIATION		START	STOP	HRS.	WORK RECORD		8-4 TOUR
WT.	VISC.	W.L.	F.C.	WT.	M	RPM	SPM	PRESS	DEPTH	DEG.													
														10 A.M.									
														NOON									
														2 P.M.									
														4 P.M.									

MUD & CHEMICALS

LBS. Added	KIND
100	GEL
66	PELTEX
52	CARBONOX
37	CAUSTIC
10	SOLTEX
10	C.M.C.

DRILLER: _____ CONTRACTOR'S TIME: _____ CO'S TIME: _____

CORE # 5 3594 - 3604 = 10'
RECOVERED 9.75'

MUD RECORD										BIT		TABLE		PUMP		DEVIATION		START	STOP	HRS.	WORK RECORD		4-12 TOUR
WT.	VISC.	W.L.	F.C.	WT.	M	RPM	SPM	PRESS	DEPTH	DEG.													
														6 P.M.									
														8 P.M.									
														10 P.M.									
														12 P.M.									

MUD & CHEMICALS

LBS. Added	KIND	LBS.	ON HAND
900	GEL		
50	CAUSTIC		
150	PELTEX		
100	CARBONOX		
75	C.M.C.		
50	SOLTEX		

DRILLER: J. Barkman CONTRACTOR'S TIME: _____ CO'S TIME: _____

CASING TIED TO: _____ PSI. MIN. _____ FORMATION TESTED _____ PSI. MIN. _____ EQUIPMENT FAILURES _____

RIG FUEL CONSUMPTION _____ GALS BOILER FUEL CONSUMPTION _____ GALS WIRELINE TON MILE _____ TOOL PUSHER: J. King

LOGGING REPORT

No. 31a

Well BIRCH

CONTRACTOR PARKER DRILLING

RIG No. _____

Approved _____

Date 4/28/65

WORK RECORD

12-8 TOUR

FROM TO FOOTAGE HRS. SIZE

Tour 1 Midnite to 8 A.M. Hrs.

DUMMY TRIP

DRILLED
REAMED
CORED 3594 3601 7 5 3/4 6 3/8

DRILLER F. KRENI 12
DERRICK M. OBERN 12
MOTORMAN L. HANNAH 12
FLOORMAN W. RUCKS 12
FLOORMAN V. WAGNEY 12
FIREMAN

DRILL LINE
LOSE BLIND RAMMS
BBH TRIP IN
RE LINE BBH TO BOTTOM

TALLY BIT RECORD
No. LENGTH BIT No. 26
STANDS 2772.65 SIZE 6 1/8
SINGLE 30.36 MAKE CHIST
D.C.'s 697.18 TYPE D
6598 SERIAL EC156
JET SIZE
FROM 3544
TO 3601
FOOTAGE 7
KELLY IN 32.00 HRS. 5 3/4
TOTAL 3601 COND. OK

REMARKS AND INJURIES:

CONTRACTOR'S TIME

CO'S. TIME

RAT HOLE TOP

8-4 TOUR

FROM TO FOOTAGE HRS. SIZE

Tour 2 8 A.M. to 4 P.M. Hrs.

3594 - 3604 = 10'
SCOURED 9.75'

DRILLED
REAMED
CORED

DRILLER G. DAWINE 12 H.C.
DERRICK BILL HUNTER 12 H.C.
MOTORMAN JOE PAUL 12 C.P.
FLOORMAN H. HAUSHEITZ 12 M.C.
FLOORMAN
FIREMAN

TALLY BIT RECORD
No. LENGTH BIT No.
STANDS
SINGLE
D.C.'s
SIZE
MAKE
TYPE
SERIAL
JET SIZE
FROM
TO
FOOTAGE
KELLY IN
TOTAL
HRS.
COND.

REMARKS AND INJURIES:

CONTRACTOR'S TIME

CO'S. TIME

RAT HOLE TOP

4-12 TOUR

FROM TO FOOTAGE HRS. SIZE

Tour 3 4 P.M. to Midnite Hrs.

5
WAP PIPE
SERVICE BBL.
IN TANK
LOSE BLIND RAMMS
+ # 27
REAM 6 1/8" RAT HOLE
TO 10'

DRILLED 3604 3869 65 5 1/2 8 3/8
REAMED 3599 3604 10 1 1/2 8 3/8
CORED 3601 3604 3 2 6 1/8

DRILLER G. BARHART 12
DERRICK W. RINAS 12
MOTORMAN P. PADELICH 12
FLOORMAN J. FREY 12
FLOORMAN D. HEBNER 12
FIREMAN J. BURRELL 12

TALLY BIT RECORD
No. LENGTH BIT No. 26 21
STANDS 2862.76 SIZE 6 1/8 8 3/8
SINGLE MAKE CHIST 200
D.C.'s 760.17 TYPE D 56
5.20 SERIAL EC156 699707
JET SIZE CON
FROM 3579 3604
TO 3604 3669
FOOTAGE 10
KELLY IN 33.87 HRS. 1 1/4 65
TOTAL 3669 COND. New Drill

REMARKS AND INJURIES:

CONTRACTOR'S TIME

CO'S. TIME

RAT HOLE TOP

EQUIPMENT FAILURES

TIME LOST

TOOL PUSHER: [Signature]

APPROVED: [Signature]

CALGARY OFFICE

SOCONY MOBIL OIL OF CANADA, LTD.

DAILY DRILLING REPORT

FIELD or AREA: EAGLE PLAINS WELL NAME & No. BIRCH YTD-34 CONTRACTOR MIRREN DRILLING

TIME	MUD RECORD				BIT WT. M	TABLE RPM	PUMP		DEVIATION		START	STOP	HRS.	WORK RECORD	12-8 TOUR
	WT.	VISC.	W.L.	F.C.			SPM	PRESS	DEPTH	DEG.					
2 A.M.	9.9	57	6.0	7/32			63	1000	3445	1 1/2	1200	1215	1/4	RIG SERVICE & HYDRIN	
4 A.M.	9.8	57	5.8	7/32			✓	✓			1215	1245	3/4	DEBRIS WASHOUT IN STAND PIPE	
6 A.M.	9.9	55	5.8	7/32			63	1000			1245	1300	1/4	DRUG 8 7/8 HOLE	
8 A.M.											1300	1330	1/2	DRIP SURVEY @ 3445'	
											1330	1400	1/2	TRIP OUT HOLE TIGHT	
											1400	1430	1/2	TRIP IN RECALIPER DRILL COLLARS	
											1430	1450	1/2	BEARD 40' TO BOTTOM	
											1450	1500	1/2	DRUG 8 7/8 HOLE	

LINER SIZE: 6 1/2" STROKE 16"
 MUD & CHEMICALS
 LBS. Added KIND
 100 CAUSTIC
 150 CARBONOX
 100 PELTEX
 500 GEL
 50 SOLTEX

BOP Tested _____ DRILLER: T. Kemp CONTRACTOR'S TIME _____ CO'S TIME _____

TIME	MUD RECORD				BIT WT. M	TABLE RPM	PUMP		DEVIATION		START	STOP	HRS.	WORK RECORD	8-4 TOUR
	WT.	VISC.	W.L.	F.C.			SPM	PRESS	DEPTH	DEG.					
10 A.M.															
NOON															
2 P.M.															
4 P.M.	10.0	52		3/32											

LINER SIZE: _____ STROKE _____
 MUD & CHEMICALS
 LBS. Added KIND

BOP Tested _____ DRILLER: _____ CONTRACTOR'S TIME _____ CO'S TIME _____

TIME	MUD RECORD				BIT WT. M	TABLE RPM	PUMP		DEVIATION		START	STOP	HRS.	WORK RECORD	4-12 TOUR
	WT.	VISC.	W.L.	F.C.			SPM	PRESS	DEPTH	DEG.					
6 P.M.	10.0	48	5.6	7/32	45	60	68	1000			1200	1300	1	DRUG 8 7/8" HOLE	
8 P.M.	10.0	52									1300	1330	2 1/2	TRIP TO UNPLUG BIT. BIT PLUGGED W/ PART OF FLOAT RUBBER	
10 P.M.	10.0	56									1330	1400	1/4	RIG SERV. + CLOSE PIPE RAMS.	
12 P.M.	10.0	56									1400	1430	1/4	BREAK CIRC. CLEAN 30' FILL	
	10.0	56	5.2	7/32	✓	✓	69	1050			1430	1500	1 1/2	DRUG 8 7/8" HOLE.	
											1500	1530	1/2	CIRC TO LOC.	

LINER SIZE: 6 1/2" STROKE 15"
 MUD & CHEMICALS
 LBS. Added KIND LBS. ON HAND
 800 GEL
 50 CAUSTIC SODA
 150 PELTEX
 100 SOLTEX
 100 CARBONOX
 75 LIME

BOP Tested DRILLER: A. Babinski CONTRACTOR'S TIME _____ CO'S TIME _____

CASING TESTED TO: _____ PSI. MIN. FORMATION TESTED _____ PSI. MIN. EQUIPMENT FAILURES _____

RIG FUEL CONSUMPTION _____ GALS BOILER FUEL CONSUMPTION _____ GALS WIRELINE TON MILE _____ TOOL PUSHER: [Signature]

LOGGING REPORT

No. 25

Well BIRCH

CONTRACTOR *BARKER DRILLING*

RIG No. 10

Approved

Date 4/27/65

WORK RECORD

12 - 8 TOUR

FROM TO FOOTAGE HRS. SIZE

Tour 1 Midnite to 8 A.M. Hrs.

HYDRIL
W/OUT IN STAND PIPE
HOLE @ 3445'
TIGHT
PUMPER DRINK COLLARS
BOTTOM
HOLE

DRILLED 3320 3455 135 1 1/2 8 3/8
REAMED
CORED

DRILLER F. KREMP 12
DERRICK W. OBRLEN 12
MOTORMAN L. HOURMAN 12
FLOORMAN V. HACHET 12
FLOORMAN
FIREMAN

TALLY

BIT RECORD

No. LENGTH BIT No. 24 25
STANDS 2545.32 SIZE 8 3/8 8 3/8
SINGLE 62.07 MAKE HTC HTC
D.C.'s 760.17 TYPE OSCIG OSCIG
520 SERIAL 4203812044
JET SIZE CUL. CON.
FROM 2964 3445
TO 3445 3445
KELLY IN 41 FOOTAGE 481 10
TOTAL 3455 HRS. 23 3/4 1/2
RAT HOLE TOP COND. 2-2-1 N-W

REMARKS AND INJURIES:

CONTRACTOR'S TIME

CO's TIME

8 - 4 TOUR

FROM TO FOOTAGE HRS. SIZE

Tour 2 8 A.M. to 4 P.M. Hrs.

DRILLED
REAMED
CORED

DRILLER G. DAWNS 12 H.C.
DERRICK B. HUNTER 12 H.C.
MOTORMAN J. PAUL 12 O.H.
FLOORMAN H. HAUSHEK 12 1960.
FLOORMAN
FIREMAN

TALLY

BIT RECORD

No. LENGTH BIT No.
STANDS
SINGLE
D.C.'s
TYPE
SERIAL
JET SIZE
FROM
TO
KELLY IN
TOTAL
RAT HOLE TOP

REMARKS AND INJURIES:

CONTRACTOR'S TIME

CO's TIME

4 - 12 TOUR

FROM TO FOOTAGE HRS. SIZE

Tour 3 4 P.M. to Midnite Hrs.

BLE
2 1/2" Bit, Bit Plugged
TOP OF FLOAT RUBBER
2 1/2" PIPE RAMS.
LEAN 30' FILL
BLE.

DRILLED 3455 3593 138 5 1/2 8 3/8
REAMED
CORED

DRILLER G. BARNHURST 12
DERRICK W. RIMM 12
MOTORMAN T. PAVELICH 12
FLOORMAN J. FREY 12
FLOORMAN D. HEBNER 12
FIREMAN J. BURRELL 12

TALLY

BIT RECORD

No. LENGTH BIT No. 25
STANDS 2112.67 SIZE 8 3/8
SINGLE 30.36 MAKE HTC
D.C.'s 760.17 TYPE OSC-18
520 SERIAL 42044
JET SIZE CUL
FROM 3445
TO 3593
KELLY IN 24.62 FOOTAGE 148
TOTAL 3593 HRS. 7
RAT HOLE TOP COND.

REMARKS AND INJURIES:

MIN.

EQUIPMENT FAILURES

TIME LOST

ON MILE

TOOL PUSHER: *J. H.*

APPROVED: *M. Lucham*

CALGARY OFFICE

SOCONY MOBIL OIL OF CANADA, LTD.

DAILY DRILLING REPORT

FIELD or AREA: ENGLE PLAINS WELL NAME & No. DWELL 116-34 CONTRACTOR FINNBERG DRILLING

TIME	MUD RECORD				BIT WT. M	TABLE		PUMP		DEVIATION		START	STOP	HRS.	WORK RECORD	12-8 TOUR			
	WT.	VISC.	W.L.	F.C.		RPM	SPM	PRESS	DEPTH	DEG.									
2 A.M.	9.6	66	5.6	2 3/32	45	60	64	950	2964	1 1/8	12:00	3:30	3 1/2	DRUG 8 7/8" HOLE (INCLUDING 2 HOUR TIME CHANGE)					
4 A.M.											3:30	3:45	1/4	DROP SURVEY @ 2964					
6 A.M.											3:45	4:45	1	TRIP OUT					
8 A.M.	9.6	67	5.6	2 3/32	45	60	64	950			4:45	5:00	1/4	SERVICE RIG & MOTOR SHUT OFFS.					
											5:00	6:15	1 1/2	TRIP IN BREAK CIRC CLEAN 10' TO BOTTOM					
											6:15			DRUG 8 7/8" HOLE					
LINER SIZE: <u>6 1/2"</u> STROKE <u>16"</u> MUD & CHEMICALS LBS. Added: _____ KIND: _____												BOP Tested		DRILLER: <u>F. Finney</u>		CONTRACTOR'S TIME		CO'S TIME	

TIME	MUD RECORD				BIT WT. M	TABLE		PUMP		DEVIATION		START	STOP	HRS.	WORK RECORD	8-4 TOUR			
	WT.	VISC.	W.L.	F.C.		RPM	SPM	PRESS	DEPTH	DEG.									
10 A.M.	9.6	62						64	950										
NOON	9.6	60	6.0	2 3/32				✓	✓										
2 P.M.	10.0	43	-	-				64	950										
4 P.M.	10.0	43	6.2	2 3/32															
LINER SIZE: <u>6 1/2"</u> STROKE <u>15"</u> MUD & CHEMICALS LBS. Added: _____ KIND: _____												BOP Tested		DRILLER:		CONTRACTOR'S TIME		CO'S TIME	

TIME	MUD RECORD				BIT WT. M	TABLE		PUMP		DEVIATION		START	STOP	HRS.	WORK RECORD	4-12 TOUR			
	WT.	VISC.	W.L.	F.C.		RPM	SPM	PRESS	DEPTH	DEG.									
6 P.M.	10.0	43			45	60	64	950			12:00	12:15	1/4	RIG SERV. & CLOSE # 4 1/2 RINGS.					
8 P.M.	10.1	62	5.0	2 3/32	✓	✓	✓	✓			12:15	8:00	7 3/4	DRUG 8 7/8" HOLE.					
10 P.M.	10.1	58			✓	✓	✓	64	1000		8:00	8:30	1/2	REPAIR 4" MUD LINE.					
12 P.M.	10.1	56	5.0	2 3/32	✓	✓	✓	64	1000		8:30	12:00	3 1/2	DRUG 8 7/8" HOLE.					
LINER SIZE: <u>6 1/2"</u> STROKE <u>15"</u> MUD & CHEMICALS LBS. Added: _____ KIND: _____ LBS. ON HAND: _____												BOP Tested		DRILLER: <u>A. Baird</u>		CONTRACTOR'S TIME		CO'S TIME	
	100																		
	250																		
	500																		
	50																		
	250																		
	150																		
WATER CAUSTIC CLEAN SHAKER CARBONOX + 12 SETTLING TANK.												BOP Tested		DRILLER:		CONTRACTOR'S TIME		CO'S TIME	

CASING TESTED TO: _____ PSI. MIN. FORMATION TESTED: _____ PSI. MIN. EQUIPMENT FAILURES: _____
 RIG FUEL CONSUMPTION: _____ GALS. BOILER FUEL CONSUMPTION: _____ GALS. WIRELINE TON MILE: _____ COOL PUSHER: JA

BIL OIL OF CANADA, LTD.

DATE APR 26

No. 24 DAILY TIME SHEET

LOGGING REPORT

No. 24

Well DURCH

CONTRACTOR MURDER DRILLING

RIG No. 10

Approved

Date 4/26/65

WORK RECORD

12 - 8 TOUR

FROM TO FOOTAGE HRS. SIZE

Tour 1 Midnite to 8 A.M. Hrs.

(INCLUDING 2 Hour Time CHANGE)
@ 2964

DRILLED 2934 3097 163 7 1/2 8 3/8
REAMED
CORED

DRILLER F. KREMER 12
DERRICK M. DENEN 12
MOTORMAN L. HOUDEWIND 12
FLOORMAN V. HICKEY 12
FLOORMAN
FIREMAN

✓ MOTOR SHUT OFFS.
CIRC CLEAR 10' TO BOTTOM

TALLY BIT RECORD

No.	LENGTH	BIT No.	SIZE
25	STANDS 231/200	23	24
	SINGLE	SIZE	8 3/8 8 3/8
	D.C.'s 76.17	MAKE	HTC HTC
	5.20	TYPE	DNV OSC-11
		SERIAL	42038 42038
		JET SIZE	CON CON
		FROM	2856 2964
		TO	2964 3097
	KELLY IN 220	FOOTAGE	312 133
	TOTAL 3097	HRS.	18 1/2 5 3/4
	RAT HOLE TOP	COND.	

REMARKS AND INJURIES:

CONTRACTOR'S TIME

CO'S TIME

RAT HOLE TOP

8 - 4 TOUR

FROM TO FOOTAGE HRS. SIZE

Tour 2 8 A.M. to 4 P.M. Hrs.

TALLY BIT RECORD

No.	LENGTH	BIT No.	SIZE
	STANDS		
	SINGLE	MAKE	
	D.C.'s	TYPE	
		SERIAL	
		JET SIZE	
		FROM	
		TO	
	KELLY IN	FOOTAGE	
	TOTAL	HRS.	
	RAT HOLE TOP	COND.	

DRILLER G. DAWNE 12
DERRICK B. HUIJZER 12
MOTORMAN J. PAUL 12
FLOORMAN H. HUSCHER 12
FLOORMAN
FIREMAN

REMARKS AND INJURIES:

CONTRACTOR'S TIME

CO'S TIME

RAT HOLE TOP

4 - 12 TOUR

FROM TO FOOTAGE HRS. SIZE

Tour 3 4 P.M. to Midnite Hrs.

CLOSE # 4 1/2 RIMS.
OLE.
Stud LINE.
OLE.

TALLY BIT RECORD

No.	LENGTH	BIT No.	SIZE
	STANDS 2526/20	24	
	SINGLE	SIZE	8 5/8
	D.C.'s 76.17	MAKE	HTC
	5.20	TYPE	OSC-11
		SERIAL	42038
		JET SIZE	CON
		FROM	2964
		TO	3320
	KELLY IN 28.07	FOOTAGE	356
	TOTAL 3320	HRS.	17 7/8
	RAT HOLE TOP	COND.	

DRILLER G. BARNHURST 12
DERRICK W. RINDS 12
MOTORMAN P. PAVELICH 12
FLOORMAN J. FREY 12
FLOORMAN D. HEBNER 12
FIREMAN J. BURRELL 12

REMARKS AND INJURIES:

CONTRACTOR'S TIME

CO'S TIME

RAT HOLE TOP

EQUIPMENT FAILURES

TIME LOST

ON MILE

FOOL PUSHER:

APPROVED:

CALGARY OFFICE

[Signature]

SOCONY MOBIL OIL OF CANADA, LTD.

DAILY DRILLING REPORT

FIELD or AREA: ENGLE PLAINS WELL NAME & No. BIRCH YTH-34 CONTRACTOR PARKER

TIME	MUD RECORD				BIT WT. M	TABLE RPM	PUMP		DEVIATION		START	STOP	HRS.	WORK RECORD	12-8 TOUR
	WT.	VISC.	W.L.	F.C.			SPM	PRESS	DEPTH	DEG.					
2 A.M.	9.3	54	6.6	1/32			64	950	2656	2°	12:00	12:15	4 1/2	SERVICE RIG ✓ 4 1/2 PIPE BRIDGES 12K OK.	
4 A.M.	9.3	53					✓	✓			12:15	4:00	3 3/4	DRILL 8 3/8 HOLE	
6 A.M.											4:00	4:15	3/4	DROP SURVEY @ 2656	
8 A.M.	9.3	53									4:15	6:45	2 1/2	TIP FOR NEW BIT HOLE THROUGH BRIDGES @ 2280 ON TRIP IN	
											6:45	12:00	5 1/4	DRILL 8 3/8 HOLE	

LINER SIZE: 6 1/2" STROKE 16"

MUD & CHEMICALS

LBS. Added	KIND
400	GEL
100	CARBONOX
100	PELTEX
50	CAUSTIC

BOP Tested _____ DRILLER: F. Kuyip CONTRACTOR'S TIME _____ CO'S. TIME _____

TIME	MUD RECORD				BIT WT. M	TABLE RPM	PUMP		DEVIATION		START	STOP	HRS.	WORK RECORD	8-4 TOUR
	WT.	VISC.	W.L.	F.C.			SPM	PRESS	DEPTH	DEG.					
10 A.M.	9.3	53					64	950							
NOON	9.3	53	6.4	1/32			✓	✓							
2 P.M.	9.3	56													
4 P.M.	9.3	54	6.8	1/32											

LINER SIZE: _____ STROKE _____

MUD & CHEMICALS

LBS. Added	KIND

BOP Tested _____ DRILLER: _____ CONTRACTOR'S TIME _____ CO'S. TIME _____

TIME	MUD RECORD				BIT WT. M	TABLE RPM	PUMP		DEVIATION		START	STOP	HRS.	WORK RECORD	4-12 TOUR
	WT.	VISC.	W.L.	F.C.			SPM	PRESS	DEPTH	DEG.					
6 P.M.	9.3	54	-	-	45	60	64	90			12:00	12:15	1 1/4	Rig SERVICE + Close Hydril	
8 P.M.	9.3	54	-	-							12:15			DRILL 8 3/8 HOLE	
10 P.M.	9.3	57			45	60	64	9.25						DROP SURVEY.	
12 P.M.	9.6	56	5.8	1/32	45	60	64	9.25							

LINER SIZE: 6 1/2" STROKE 15"

MUD & CHEMICALS

LBS. Added	KIND	LBS.	ON HAND
150	CME		
100	SOLTEX		

BOP Tested DRILLER: A. Barford CONTRACTOR'S TIME _____ CO'S. TIME _____

CASING TESTED TO: _____ PSI. MIN. _____ FORMATION TESTED _____ PSI. MIN. _____ EQUIPMENT FAILURES _____
 RIG FUEL CONSUMPTION _____ GALS _____ BOILER FUEL CONSUMPTION _____ GALS _____ WIRELINE TON MILE _____ TOOL PUSHER: [Signature]

OIL OF CANADA, LTD.

DATE APRIL 25, 1965

No. 23 DAILY TIME SHEET 336

LOG REPORT

No. 23

Well BIRCH

CONTRACTOR PACKER

RIG No. 10

Approved

Date 4/25/65

WORK RECORD

12 - 8 TOUR

FROM TO FOOTAGE HRS. SIZE

Tour 1 Midnite to 8 A.M. Hrs.

4 1/2 PIPE STANDS M.L. OK.

DRILLED 2574 2736 162 9 8 3/8

DRILLER F. TREMP 12

2656

REAMED

DERRICK M. O'BRIEN 12

WIRE TIGHT KENNY BRIDGES

CORED

MOTORMAN L. HOUJAHAN 12

UP IN

TALLY

BIT RECORD

No.	LENGTH	BIT No.	SIZE
21	STANDS 1741.27	22	23
	SINGLE		8 3/8 8 3/8
		MAKE	HTC HTC
26	D.C.'S 760.17	TYPE	OWC CUV
	5.20	SERIAL	5700 68258
		JET SIZE	CON CON
		FROM	2330 2656
		TO	2656 2736
	KELLY IN 27.0	FOOTAGE	326 80
	TOTAL 2736	HRS.	15 1/2 5 1/4
		COND.	2-3-1 DALL

FLOORMAN V. HICHEY 12
FLOORMAN
FIREMAN

REMARKS AND INJURIES:

CONTRACTOR'S TIME

CO'S TIME

8 - 4 TOUR

FROM TO FOOTAGE HRS. SIZE

Tour 2 8 A.M. to 4 P.M. Hrs.

DRILLED

DRILLER G. DANIEL 12

REAMED

DERRICK B. HUNTER 12

CORED

MOTORMAN J. PAUL 12

TALLY

BIT RECORD

No.	LENGTH	BIT No.	SIZE
	STANDS		
	SINGLE		
	D.C.'S		
		TYPE	
		SERIAL	
		JET SIZE	
		FROM	
		TO	
	KELLY IN	FOOTAGE	
	TOTAL	HRS.	
		COND.	

FLOORMAN H. HRUSHCHAK 12
FLOORMAN
FIREMAN

REMARKS AND INJURIES:

CONTRACTOR'S TIME

CO'S TIME

4 - 12 TOUR

FROM TO FOOTAGE HRS. SIZE

Tour 3 4 P.M. to Midnite Hrs.

Close Hydril

DRILLED 2736

DRILLER G. BARNHURST 12

16

REAMED

DERRICK W. RINAS 12

1.

CORED

MOTORMAN P. PAUELICH 12

TALLY

BIT RECORD

No.	LENGTH	BIT No.	SIZE
	STANDS	23	
	SINGLE		8 3/8
		MAKE	HTC
26	D.C.'S 760.17	TYPE	OWC
	5.20	SERIAL	68258
		JET SIZE	CON
		FROM	2656
		TO	2904
	KELLY IN	FOOTAGE	218
	TOTAL	HRS.	
		COND.	

FLOORMAN J. FREY 12
FLOORMAN D. HEBNER 12
FIREMAN J. BURRELL 12

REMARKS AND INJURIES:

CONTRACTOR'S TIME

CO'S TIME

EQUIPMENT FAILURES

TIME LOST

TOOL PUSHER: [Signature]

APPROVED: M. Graham

CALGARY OFFICE

SOCONY MOBIL OIL OF CANADA, LTD.
CORE REPORT

CONTRACTOR PARKER DRILLING CO AREA EAGLE PLAINS LOCATION BIRCH YTB-34

THIS SECTION TO BE FILLED AT THE WELL

DATE	CORE NO	DEPTH CORED		FOOTAGE CORED	TIME			% RECO. VERY	CORE BIT					BARREL	PUMP		TABLE RPM	FOOTAGE CORED	HRS CORING	ACCUMU	
		FROM	TO		START	STOP	HRS. CORING		NO.	MAKE	SIZE	TYPE	SER. NO.		CFM	PRESS					
4/24/66	4	2320	2321	1	2:58	3:26	28							220	4	44	700	66			
		2321	2322	2	3:26	4:12	46								6	44	700	66			
		2322	2323	3	4:12	4:44	32								9	44	700	66			
		2323	2324	4	4:44	5:15	31								9	44	750	66			
		2324	2325	5	5:15	5:49	34								9	44	750	66			
		2325	2326	6	5:49	6:24	35								9	44	750	66			
		2326	2327	7	6:24	6:56	32								9	44	750	66			
		2327	2328	8	6:56	7:28	32								9	44	750	66			
		2328	2329	9	7:28	7:57	29								9	44	750	66			
		2329	2330	10	7:57	8:30	33								9	44	750	66			

RECOVERED 9.75

SOCONY MOBIL OIL OF CANADA, LTD.

DAILY DRILLING REPORT

FIELD or AREA: EAGLE PLAINS WELL NAME & No. BIRCH YTB-34 CONTRACTOR PARKER

TIME	MUD RECORD				BIT WT. M	TABLE RPM	PUMP		DEVIATION		START	STOP	HRS.	WORK RECORD	12-8 TOUR
	WT.	VISC.	W.L.	F.C.			SPM	PRESS	DEPTH	DEG.					
2 A.M.											12 ⁰⁰	12 ³⁰	1/2	FINISH TRIP OUT W/ PACKER	
4 A.M.	9.2	155	6.4	132			44	750			12 ³⁰	1 ⁰⁰	2	BREAK & LAY DOWN PACKER	
6 A.M.	9.2	138					✓	✓			1 ⁰⁰	1 ¹⁵	7	RIG SERVICE CLOSE BLIND RAMPS	
8 A.M.	9.2	112.6	4	132			44	750			1 ¹⁵	2 ¹⁵	1	PICK UP CORE BBL & TRIP IN	
											2 ¹⁵	3 ⁰⁰	3/4	BREAK CIRC & CIRC CORE BBL.	
											3 ⁰⁰	8 ³⁰	5 1/2	CUT CORE # 4	
LINER SIZE: <u>5 1/2</u> STROKE <u>16</u>											8 ³⁰	9 ³⁰	1	BREAK OFF CORE TRIP OUT	
MUD & CHEMICALS											9 ³⁰	10 ¹⁵	3/4	RECOVER CORE & SERVICE CORE BBL.	
LBS. Added											10 ¹⁵	10 ³⁰	4	CLEAN SUCTION TANK	
KIND											10 ³⁰	11 ³⁰	1	TRIP IN BREAK CIRC	
											11 ³⁰	12 ⁰⁰	1/2	REPAIR 6 1/8 RATHONE TO 8 3/8	

BOP Tested _____ DRILLER: A Kump CONTRACTOR'S TIME _____ CO'S TIME _____

TIME	MUD RECORD				BIT WT. M	TABLE RPM	PUMP		DEVIATION		START	STOP	HRS.	WORK RECORD	8-4 TOUR
	WT.	VISC.	W.L.	F.C.			SPM	PRESS	DEPTH	DEG.					
10 A.M.															
NOON															
2 P.M.	9.2	64	5.6												
4 P.M.															
LINER SIZE: _____ STROKE _____															
MUD & CHEMICALS															
LBS. Added															
KIND															

D. ST H 5. 2300 - - 2320
 V.O GIP - FAIR AIR BLOW THROUGH OUT TEST
 30 MIN ISI - 30 MIN TO 60 MIN FSI
 Rec 180' mud cut water
 700: Slighty mud cut saltwater
 650 Salt water
 FSI 700 FFP 395 110 10.90
 FSI 690 FFP 620 FHP 1075

BOP Tested _____ DRILLER: _____ CONTRACTOR'S TIME _____ CO'S TIME _____

TIME	MUD RECORD				BIT WT. M	TABLE RPM	PUMP		DEVIATION		START	STOP	HRS.	WORK RECORD	4-12 TOUR
	WT.	VISC.	W.L.	F.C.			SPM	PRESS	DEPTH	DEG.					
6 P.M.	9.2	52	6.9	30	90	60	69	325			12 ¹⁰	12 ¹⁵	1/4	RIG SERV. & CLOSE Hydril	
8 P.M.	9.2	52	-	-	"	"	"	"			12 ¹⁵	12 ⁰⁰	1 1/4	DRILL 8 3/8" HOLE	
10 P.M.	9.2	59													
12 P.M.	9.2	53	6.0	1/2	95	60	69	850							
LINER SIZE: <u>6 1/2</u> STROKE <u>15</u>															
MUD & CHEMICALS															
LBS. Added															
KIND															
LBS.															
ON HAND															

BOP Tested _____ DRILLER: A Barbura CONTRACTOR'S TIME _____ CO'S TIME _____

CASING TESTED TO:

PSI. MIN.

FORMATION TESTED

PSI. MIN.

EQUIPMENT FAILURES

RIG FUEL CONSUMPTION

GALS

BOILER FUEL CONSUMPTION

GALS

WIRELINE TON MILE

TOOL PUSHER:

[Signature]

LOGGING REPORT

No. 22

CONTRACTOR PARKER

RIG No. 10

Approved

Date 4/24/65

WORK RECORD

12 - 8 TOUR

W/ PARKER
DOWN PARKER
CLOSE BLIND RAMS
BBH - TRIP IN
CIRC CORE BBH.

	FROM	TO	FOOTAGE	HRS.	SIZE
DRILLED	23				
REAMED	2320	2324	10	1	8 3/8
CORED	2320	2330	10	5 1/2	6 1/2

Tour 1	Midnite to 8 A.M.	Hrs.
DRILLER	F. KREMP	12
DERRICK	M. O'BRIEN	12
MOTORMAN	L. HOULMANN	12
FLOORMAN	 	
FLOORMAN	V. HCHET	12
FIREMAN		

TALLY

BIT RECORD

No.	LENGTH	BIT No.	21	22
16	STANDS 147.79	SIZE	6 3/8	8 3/8
2	SINGLE 6.14	MAKE	CHUIT	HTC
26	D.C.'s 760.17	TYPE	Q	CWC
	5.20	SERIAL	EC1506	59040
		JET SIZE		CON
		FROM	2320	
		TO	2330	
		FOOTAGE	10	
		HRS.	5 1/2	
		COND.	GOOD	NEW

REMARKS AND INJURIES:
FLOWN TO DRAGON
RIGHT FOR DR.
TAPER IN
6" BOLS

TRIP OUT
SERVICE CORE BBH.
TANK
CIRC
THROU TO 8 3/8

CONTRACTOR'S TIME

CO'S TIME

RAT HOLE TOP

8 - 4 TOUR

2300 - - 2320
12 BLOW THROUGH 40 FT TEST
0 MIN TO 60 MIN FS1

	FROM	TO	FOOTAGE	HRS.	SIZE
DRILLED					
REAMED					
CORED					

Tour 2	8 A.M. to 4 P.M.	Hrs.
DRILLER	G. Downes	12
DERRICK	B. Hunter	12
MOTORMAN	J. Paul	12
FLOORMAN	H. Hruschak	12
FLOORMAN		
FIREMAN		

TALLY

BIT RECORD

No.	LENGTH	BIT No.		
	STANDS	SIZE		
	SINGLE	MAKE		
	D.C.'s	TYPE		
		SERIAL		
		JET SIZE		
		FROM		
		TO		
		FOOTAGE		
		HRS.		
		COND.		

REMARKS AND INJURIES:

1 cut water
4 1/2 m cut salt water
1 1/2 water

F P 395 1140 10-90
F P 620 FHP 1075

CONTRACTOR'S TIME

CO'S TIME

RAT HOLE TOP

4 - 12 TOUR

Close Hydril
ole

	FROM	TO	FOOTAGE	HRS.	SIZE
DRILLED	2320	2574	294	11 3/4	8 3/8
REAMED					
CORED					

Tour 3	4 P.M. to Midnite	Hrs.
DRILLER	G. BARNUM	12
DERRICK	W. KINGS	12
MOTORMAN	P. PAULICH	12
FLOORMAN	J. FREY	12
FLOORMAN	D. WEBBER	12
FIREMAN	J. BURRELL	12

TALLY

BIT RECORD

No.	LENGTH	BIT No.	22	
	STANDS 1755.67	SIZE	8 3/8	
	SINGLE 31.21	MAKE	HTC	
26	D.C.'s 760.17	TYPE	QWC	
	5.20	SERIAL	59040	
		JET SIZE	CON	
		FROM	2330	
		TO	2574	
		FOOTAGE	204	
		HRS.	11 3/4	
		COND.	DRI	

REMARKS AND INJURIES:

EQ JIPMENT FAILURES

TIME LOST

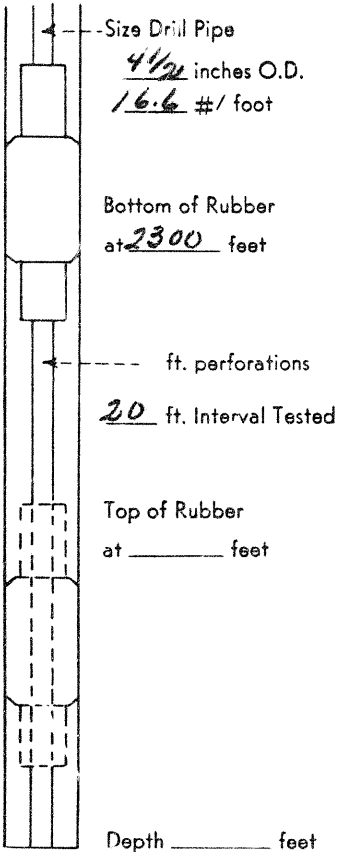
ON MILE

TOOL PUSHER:

APPROVED:

CALGARY OFFICE

WELL Smwm BIRCH Yt B-34 TEST No. 5



Laid Down	_____
Down on Kelly	_____
	<u>23</u>

Total Picked Up Test Tool	_____
	<u>52.09</u>

Total	_____
Picked Up	_____
Laid Down	_____
Feet up on bottom	_____

Type Test Tool JOHNSTON HYDRAULIC

Type and Size of Packers BOB TAIL 7 1/2"

Jars JOHNSTON HS-1

WELL Smwm 13

TESTING COMPANY C

HOLE DATA:

95/8 " casing to 59

8 7/8 " hole to 23

_____ " hole from _____

MUD: Viscosity _____

TEST DATA:

Started in 20.00

On bottom 21:30

Tool open 22 07

Gas to surface NO

Mud level dropped? NO

PIPE RECOVERY. 1

Mud 180'

Oil _____

700 SLIGHTLY

650 SALT

SAMPLE DATA:

Gas Sampled _____ at _____ psi. container pressure

Oil sample taken _____ ft. and _____ ft. above packer

Water sample taken _____ ft. above packer

Disposal of samples _____

REMARKS:

GOOD INITIAL PUFF

FAIR AIR BLOW

GAS FLOW:

Time _____ Riser C _____

PRESSURES:

FBHP from 395

SIBHP from 700

Hydrostatic head 1090

SOCONY MOBIL OIL OF CANADA, LTD.
 DRILL STEM TEST REPORT

3-37

No. 5

WELL SMWOM BIRCH YT B-34 DATE APRIL 23 1965

TESTING COMPANY JOHNSTON TESTER LTD OPERATOR SCHIEFFELMAIER

HOLE DATA:

9 5/8 " casing to 599 ft. Interval tested 2300 ft. to 2320 ft.
9 5/8 " hole to 2320 ft. Formation tested PERMO-PEAN
 " hole from _____ ft. to _____ ft. Formation top _____ ft.

MUD: Viscosity 90 secs. Weight 9.3 lbs./gal. W/L 6.8 cc/30 min.

TEST DATA:

Started in 20.00 (P.M.) Oil to surface _____
 On bottom 21.37 Shut in 22.37
 Tool open 22.07 Pulled Loose 23.37
 Gas to surface NO Out of hole 01.00 APRIL 24 1965
 Mud level dropped? NO FT.

PIPE RECOVERY: 15.30

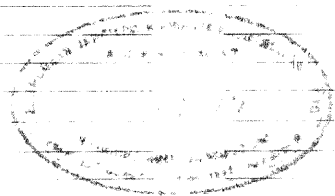
Mud 180' Water 1350 p.p.m. NaCl

Oil _____ Gravity _____ °API at 60°F Shake out

700 SLIGHTLY MUD CUT SALT WATER.
650 SALT WATER.

GAS FLOW:

Time	Riser O.D. (ins.)	Side Pressure (psi.)	Pilot Differential (Inches Hg/H2O)	Flow Rate (MCF/day)



PRESSURES:

FBHP from 395 psi. to 620 psi.
 SIBHP from 700 psi. to 690 psi.
 Hydrostatic head 1090 psi. 1075 Choke size 1/2 Bottom Hole ins.

M. Graham
 Engineer

SOCONY MOBIL OIL OF CANADA, LTD.

DAILY DRILLING REPORT

FIELD or AREA: *EAGLE PLAINS* WELL NAME & No. *BIRCH 470-34* CONTRACTOR *FLORIAN*

TIME	MUD RECORD				BIT WT. M	TABLE RPM	PUMP		DEVIATION		START	STOP	HRS.	WORK RECORD	12-8 TOUR
	WT.	VISC.	W.L.	F.C.			SPM	PRESS	DEPTH	DEG.					
2 A.M.	9.3	45	6.8				43	750			12:00	3:00	3	CUT CORE #3	
4 A.M.											3:00	4:00	1	BREAK CORE TRIP OUT	
6 A.M.											4:00	4:45	3/4	RECOVER CORE & SECURE CORE BBL.	
8 A.M.	9.3	45			40	60	65	750			4:45	5:00	1/4	TRIP SERVICE CLOSE BLIND RINGS	
											5:00	6:00	1	TRIP IN	
											6:00	6:45	3/4	BREAK CORE REMAIN 10' 6 1/2" REMAIN TO 8 3/8"	
											6:45	12:00	5 1/4	DRNG 8 3/8" HOLE	
LINER SIZE: <i>6 1/2"</i> STROKE <i>16</i> MUD & CHEMICALS LBS. Added: _____ KIND: _____															
BOP Tested: _____ DRILLER: <i>St. Henry</i> CONTRACTOR'S TIME: _____ CO'S. TIME: _____															

Recovered 9.40' core

TIME	MUD RECORD				BIT WT. M	TABLE RPM	PUMP		DEVIATION		START	STOP	HRS.	WORK RECORD	8-4 TOUR
	WT.	VISC.	W.L.	F.C.			SPM	PRESS	DEPTH	DEG.					
10 A.M.	9.2	44	7.0	1/32	40	60	65	750							
NOON	9.3	44			40	60									
2 P.M.															
4 P.M.															
LINER SIZE: _____ STROKE _____ MUD & CHEMICALS LBS. Added: <i>50</i> KIND: <i>CAUSTIC</i>															
BOP Tested: _____ DRILLER: _____ CONTRACTOR'S TIME: _____ CO'S. TIME: _____															

TIME	MUD RECORD				BIT WT. M	TABLE RPM	PUMP		DEVIATION		START	STOP	HRS.	WORK RECORD	4-12 TOUR
	WT.	VISC.	W.L.	F.C.			SPM	PRESS	DEPTH	DEG.					
6 P.M.	9.3	40	8.1	1/16	95	60	65	750	2320	25	12:00	1:45	13 1/4	DRILL 8 7/8" HOLE	
8 P.M.	9.3										1:45	2:15	1 1/2	LINE & POND HOLE TO TEST	
10 P.M.											2:15	2:30	1/4	DROP SURVEY @ 2320-2'	
12 P.M.											2:30	4:30	2	TRIP OUT TO 1300' HOLE TIGHT	
											4:30	6:00	1 1/2	RUN IN & POND HOLE & MUD	
											6:00	6:15	1/4	DRAINING TO 15' STAND	
											6:15	6:45	1/2	ENTER POND HOLE.	
											6:45	7:15	1	TRIP OUT STOPP. RE	
											7:15	8:15	1/2	PICK UP PICKER	
											8:15	9:00	3/4	TRIP IN	
											9:00	11:45	2 3/4	TRIP IN TO TEST. DIT F5.	
LINER SIZE: _____ STROKE _____ MUD & CHEMICALS LBS. Added: <i>100</i> KIND: <i>CITR</i> <i>1500</i> <i>GEL</i>															
BOP Tested: <input checked="" type="checkbox"/> DRILLER: <i>G. Bork</i> CONTRACTOR'S TIME: _____ CO'S. TIME: _____															

CASING TESTED TO: _____ PSI MIN FORMATION TESTED: _____ PSI MIN EQUIPMENT FAILURES: _____
 RIG FUEL CONSUMPTION: _____ GALS BOILER FUEL CONSUMPTION: _____ GALS WIRELINE TON MILE: _____ TOOL PUSHER: *None*

OIL OF CANADA, LTD.

DATE APRIL 23/65

No. 21 DAILY TIME SHEET

REPORT

No. 21

CONTRACTOR PARKER

RIG No. 10

Approved

Date 4/23/65

WORK RECORD

12 - 8 TOUR

Out
SEMI CORE BBL.
SE BLIND RATS

	FROM	TO	FOOTAGE	HRS.	SIZE
DRILLED	2171	2302	131	5 1/2	8 3/8
REAMED	2161	2171	10	1/2	8 3/8
CORED	2165	2171	6	3	6 1/8

Tour 1	Midnite to 8 A.M.	Hrs.
DRILLER	F. KREMP	12
DERRICK	M. O'BRIEN	12
MOTORMAN	L. HOUGHMAN	12
FLOORMAN	W. RYKS	12
FIREMAN	V. HACHEY	12

TALLY BIT RECORD

No.	LENGTH	BIT No.
16	147739	17 20
1	3033	SIZE 6 3/8 8 3/8
	SINGLE 3033	MAKE CHRIS HILL
	D.C.'s 760.17	TYPE D OWD
		SERIAL EC1506 66466
		JET SIZE Corl
		FROM 2161 2171
		TO 2171 2302
		FOOTAGE 10 131
		HRS. 5 1/2 5 1/4

REMARKS AND INJURIES:

10' cone

TRACTOR'S TIME CO'S TIME

8 - 4 TOUR

	FROM	TO	FOOTAGE	HRS.	SIZE
DRILLED					
REAMED					
CORED					

Tour 2	8 A.M. to 4 P.M.	Hrs.
DRILLER	George Dumes	12
DERRICK	Bill Hunter	12
MOTORMAN	J. Paul	12
FLOORMAN	H. Hruschak	12
FLOORMAN		
FIREMAN		

TALLY BIT RECORD

No.	LENGTH	BIT No.
	STANDS	SIZE
	SINGLE	MAKE
	D.C.'s	TYPE
		SERIAL
		JET SIZE
		FROM
		TO
		FOOTAGE
		HRS.

Went on H1
motor
rad
Travel out
of Dawson
City

REMARKS AND INJURIES:

TRACTOR'S TIME CO'S TIME

4 - 12 TOUR

16 To Test
2320-2"
Hole Tight
Hole & Mud
STANDS
16.
TYPE
DST #5.

	FROM	TO	FOOTAGE	HRS.	SIZE
DRILLED	2302	2320	18	1 1/4	8 3/8
REAMED					
CORED					

Tour 3	4 P.M. to Midnite	Hrs.
DRILLER	G. BURRARD	12
DERRICK	W. RINDO	12
MOTORMAN	P. PASJELIC	12
FLOORMAN	J. FREY	12
FLOORMAN	D. HEENER	12
FIREMAN	J. BURRELL	12

TALLY BIT RECORD

No.	LENGTH	BIT No.
	STANDS 147739	SIZE 8 3/8
	SINGLE 61.14	MAKE HIC
	D.C.'s 760.17	TYPE OWD
		SERIAL 66466
		JET SIZE Corl
		FROM 2161
		TO 2320
		FOOTAGE 159
		HRS. 7

REMARKS AND INJURIES:

TRACTOR'S TIME CO'S TIME

EQUIPMENT FAILURES

TIME LOST

TOOL PUSHER:

APPROVED:

CALGARY OFFICE

Russell

Lucas

SOCONY MOBIL OIL OF CANADA, LTD.
CORE REPORT

CONTRACTOR PARKER DRILL CO.

AREA Eagle Point
THIS SECTION TO BE FILLED AT THE WELL

LOCATION BIRCH FT-B-34

DATE	CORE NO.	DEPTH CORED		FOOTAGE CORED	TIME			% RECO. VERY	CORE BIT				BARREL	PUMP		TABLE RPM	FOOTAGE CORED	HRS CORING	ACCUMULATED	
		FROM	TO		START	STOP	HRS CORING		NO.	MAKE	SIZE	TYPE		SER. NO.	GPM.					DOT
April 22, 65	3	2161	2162	1	9:31	10:01	30		7	CHRIST	6 1/8	Δ	EC1506	220	4	44	750	66		
		2162	2163	2	10:01	10:33	32								8	44	725	66		
		2163	2164	3	10:33	11:03	30								9	44	725	66		
		2164	2165	4	11:03	11:34	31								9	44	725	66		
		2165	2166	5	11:34	12:08	34								9	44	725	66		
		2166	2167	6	12:08	12:38	30								9	44	750	66		
		2167	2168	7	12:38	1:12	34								9	44	750	66		
		2168	2169	8	1:12	1:47	35								9	44	750	66		
		2169	2170	9	1:47	2:25	38								9	44	750	66		
		2170	2171	10	2:25	3:01	36	94%							9	44	775	66	10	

DISTRIBUTION: WHITE - TO CALGARY OFFICE YELLOW - TO FIELD OFFICE

CORE REPORT

WELL NAME & NO. K1B34

LOCATION BIRCH 4T-B-34 WELL NAME & NO. B-34
 THIS SECTION TO BE FILLED AT THE FIELD OFFICE

R. NO.	BARREL TYPE	PUMP SPM	PRESS	TABLE RPM	ACCUMULATED		FORMATION CORED	REMARKS	THIS COLUMN TO BE FILLED FOR & SENT TO THE ACCOUNTING DEPT
					FOOTAGE CORED	HRS CORING			
1506	220	4	44.750	66		49	17 3/4		
		8	44.725	66					TOTAL
		9	44.725	66					
		9	44.725	66					
		9	44.725	66					
		9	44.750	66					
		9	44.750	66					
		9	44.750	66					
		9	44.750	66					
		9	44.750	66					
		9	44.775	66	10	59	23 1/4	(TOTAL W/ BIT # EG1506)	

SERIAL NO. OF BITS
 FOOTAGE CORED AT THIS WELL
 ACCUMULATED FOOTAGE TO DATE
 SERIAL NO. OF CORE BARREL USED
 ACCUMULATED FOOTAGE CORED PER BARREL
 REM. RKS.
 MAGNET USED
 COMPANY OWNED
 CONTRACTORS
 DAYS
 DAYS

SOCONY MOBIL OIL OF CANADA, LTD.

DAILY DRILLING REPORT

FIELD or AREA: FAGLE PHOENIX WELL NAME & No. BIRCH YTB-34 CONTRACTOR PARBER

TIME	MUD RECORD				BIT WT. M	TABLE		PUMP		DEVIATION		START	STOP	HRS.	WORK RECORD
	WT.	VISC.	W.L.	F.C.		RPM	SPM	PRESS	DEPTH	DEG.					
2 A.M.	9.2	41	9.6	1/32	50	60	65	750	2040	2°	12 ⁰⁰	12 ¹⁵	1/4	RIG SERVICE 1/2 TAPER	
4 A.M.	9.2	41			50	60	✓	✓			11 ¹⁵	11 ²⁰	1/4	DRAG 8 7/8 HOLE	
6 A.M.	9.2	40	9.0	1/32			✓	✓			11 ³⁰	11 ⁴⁵	1/4	WORK TIGHT TOLF OFF BOTTOM	
8 A.M.	9.1	40						65	750		11 ⁴⁵	12 ⁰⁰	1/4	DROP SUBMER TAIN OUT	

LINER SIZE: 6 1/2" STROKE 16'

MUD & CHEMICALS

LBS. Added: 150 KIND: CARBONOX

TIME	MUD RECORD				BIT WT. M	TABLE		PUMP		DEVIATION		START	STOP	HRS.	WORK RECORD
	WT.	VISC.	W.L.	F.C.		RPM	SPM	PRESS	DEPTH	DEG.					
10 A.M.	9.1	38	9.4	1/32				65	750						
NOON															
2 P.M.															
4 P.M.	9.1	35	-	-											

LINER SIZE: _____ STROKE _____

MUD & CHEMICALS

LBS. Added: _____ KIND: _____

BOP Tested _____ DRILLER: A Kemp CONTRACTOR'S TIME _____ CO'S. TIME _____

CHECKED MOTOR SHUT OFF - OK.
ESCAPE LINE & Buggy - OK
BRAKES & LINKAGE - OK
BREATHING APPERATOS - OK
CROWN SHAVER - OK
DRILLING LINE O.K.

TIME	MUD RECORD				BIT WT. M	TABLE		PUMP		DEVIATION		START	STOP	HRS.	WORK RECORD
	WT.	VISC.	W.L.	F.C.		RPM	SPM	PRESS	DEPTH	DEG.					
6 P.M.	9.3	41			50	60	65	750	-	-	12 ³⁰	12 ³⁰	1/2	TRIP OUT	
8 P.M.											12 ³⁰	12 ⁴⁵	1/4	RIG SEND. & CLOSE BLIND RAMS	
10 P.M.					9	66	43	725			130	2.00	1/2	TRIP IN W/ BIT #18 - WJ BREAK CIRC & REPAIR & CLEAN TO BOTTOM.	
12 P.M.											200	6.45	1/4	DRAG 8 7/8" HOLE	
											675	730	1/4	CIRC. TO CORE	
											730	9.15	1/4	TRIP TO PICK UP CORE BBL.	
											745	9.30	1/4	CIRC. CORE BBL.	
											9.30	12.00	2 1/2	Cutting Cone #3	

LINER SIZE: 6 1/2" STROKE 15'

MUD & CHEMICALS

LBS. Added: 1600 KIND: Gee
50 DEXTRID

LBS. ON HAND _____

BOP Tested _____ DRILLER: A. B. ... CONTRACTOR'S TIME _____ CO'S. TIME _____

CASING TESTED TO: _____ PSI. MIN. FORMATION TESTED _____ PSI. MIN. EQUIPMENT FAILURES _____

RIG FUEL CONSUMPTION _____ GALS BOILER FUEL CONSUMPTION _____ GALS WIRELINE TON MILE _____ TOOL PUSHER: Power

BIL OIL OF CANADA, LTD.

DATE APRIL 22, 1965

No. 20 DAILY TIME SHEET

LOGGING REPORT

No. 20

Well BIRCH

CONTRACTOR PARKER

RIG No. 10

Approved

Date 4/22/65

WORK RECORD

12 - 8 TOUR

FROM TO FOOTAGE, HRS. SIZE

Tour 1 Midnite to 8 A.M. Hrs.

DRILLED 1955 2051 96 11 8 3/8
REAMED
CORED

DRILLER F. KENNEDY 12
DERRICK M. O'BRIEN 12
MOTORMAN A. Houshmand 12
FLOORMAN W. P. P. S. 12
FLOORMAN J. Hagedorn 12
FIREMAN

TALLY

BIT RECORD

No. LENGTH
13 STANDS 1203.33
1 SINGLE 30.50
21 D.C.'s 760.17
55.20
KELLY IN 20
TOTAL 2051

BIT No. 17
SIZE 8 3/8
MAKE HTC
TYPE W7
SERIAL 41371
JET SIZE Con
FROM 1985
TO 2051
FOOTAGE 146
HRS. 15
COND. 3-4-1

REMARKS AND INJURIES:

CONTRACTOR'S TIME

CO'S. TIME

RAT HOLE TOP

8 - 4 TOUR

FROM TO FOOTAGE, HRS. SIZE

Tour 2 8 A.M. to 4 P.M. Hrs.

DRILLED
REAMED
CORED

DRILLER George P. Paul 12
DERRICK Bill Hunter 12
MOTORMAN J. Paul 12
FLOORMAN A. Hruschick 12
FLOORMAN
FIREMAN

TALLY

BIT RECORD

No. LENGTH
STANDS
SINGLE
D.C.'s
KELLY IN
TOTAL

BIT No.
SIZE
MAKE Travel
TYPE
SERIAL
JET SIZE
FROM
TO
FOOTAGE
HRS.
COND.

REMARKS AND INJURIES:

CONTRACTOR'S TIME

CO'S. TIME

RAT HOLE TOP

4 - 12 TOUR

FROM TO FOOTAGE, HRS. SIZE

Tour 3 4 P.M. to Midnite Hrs.

DRILLED 2051 2161 110 9 3/4 8 3/8
REAMED
CORED 2161 2161 0 0 2165 2 1/2 6 1/2

DRILLER G. BUNHURST 12
DERRICK W. RINDAS 12
MOTORMAN P. PHOELICH 12
FLOORMAN J. FREY 12
FLOORMAN D. HEBNER 12
FIREMAN J. BURNELL 12

TALLY

BIT RECORD

No. LENGTH
15 STANDS 1385.97
SINGLE
20 D.C.'s 760.17
5.20
KELLY IN 13.81
TOTAL 2165
RAT HOLE TOP 2161

BIT No. 18 19
SIZE 8 3/8 8 3/8
MAKE HTC CHRIS
TYPE W7
SERIAL 18203 EC1506
JET SIZE Con
FROM 2051 2161
TO 2161
FOOTAGE 110
HRS. 9 3/4
COND. 1-1-1

REMARKS AND INJURIES:

EQUIPMENT FAILURES

TIME LOST

MILE

TOOL PUSHER: Parker

APPROVED: M. Graham

CALGARY OFFICE

SOCONY MOBIL OIL OF CANADA, LTD.

DAILY DRILLING REPORT

FIELD or AREA: ENGLE PLAINS

WELL NAME & No. BIRCH #1

CONTRACTOR PARKER

TIME	MUD RECORD				BIT WT. M	TABLE		PUMP			DEVIATION		START	STOP	HRS.	WORK RECORD	12-8 TOUR
	WT.	VISC.	W.L.	F.C.		RPM	SPM	PRESS	DEPTH	DEG.							
2 A.M.	9.1	44	7.8	1/32	50	60	65	700	1824	1/2	12 ⁰⁰	12 ¹⁵	4		SERVICE TIC. & 4 1/2" PIPE RINGS ALL OUT.		
4 A.M.											12 ⁴⁵	2 ⁴⁵	2 1/2		DRUG 8 7/8" HOLE		
6 A.M.	9.1	44	7.8	1/32	50	60	65	700			2 ⁴⁵	3 ⁰⁰	4		DRUG SURVEY		
8 A.M.	9.1	44									3 ⁰⁰	4 ³⁰	1 1/2		TRIP FOR NEW BIT		
											4 ³⁰	12 ⁰⁰	7 1/2		DRUG 8 7/8" HOLE		

LINER SIZE: 6 1/2 STROKE 16

MUD & CHEMICALS

LBS. Added: _____ KIND _____

TIME	MUD RECORD				BIT WT. M	TABLE		PUMP			DEVIATION		START	STOP	HRS.	CONTRACTOR'S TIME	CO'S TIME
	WT.	VISC.	W.L.	F.C.		RPM	SPM	PRESS	DEPTH	DEG.							
10 A.M.	9.1	45	7.8	1/32				65	700								
NOON	9.1	42	7.8	1/32													
2 P.M.																	
4 P.M.																	

LINER SIZE: 6 1/2 STROKE 16"

MUD & CHEMICALS

LBS. Added: 500 GBL
100 CAUSTIC

CLEANED SHAKER TANK.

TIME	MUD RECORD				BIT WT. M	TABLE		PUMP			DEVIATION		START	STOP	HRS.	CONTRACTOR'S TIME	CO'S TIME
	WT.	VISC.	W.L.	F.C.		RPM	SPM	PRESS	DEPTH	DEG.							
6 P.M.	9.3	45	8.0	1/32	50	60	65	700	-			12 ⁰⁰	12 ¹⁵	1/4			
8 P.M.	9.2	45	-	-	50	60	65	750				12 ¹⁵	6 ¹⁵	6			
10 P.M.	9.2	43	8.6	1/32								6 ¹⁵	7 ⁴⁵	1 1/2			
12 P.M.	7.2	40	-	-	50	60	65	750				7 ⁴⁵	8 ⁰⁰	1/4			
												8 ⁰⁰	12 ⁰⁰	4			

LINER SIZE: 6 1/2 STROKE 16

MUD & CHEMICALS

LBS. Added: 400 SOLTEX

ON HAND _____

CASING TESTED TO: _____ PSI. MIN. FORMATION TESTED _____ PSI. MIN. EQUIPMENT FAILURES _____

RIG FUEL CONSUMPTION _____ GALS BOILER FUEL CONSUMPTION _____ GALS WIRELINE TON MILE _____ TOOL PUSHER: B. ...

BILLING REPORT

No. 19

Well BIRCH #1

CONTRACTOR PARKER

RIG No. 10

Approved

Date 4/21/65

WORK RECORD 12-8 TOUR

2" x 4 1/2" PIPE RAN ALL OUT.
NOLE
NEW BIT
HOLE

	FROM	TO	FOOTAGE	HRS.	SIZE
DRILLED	1811	1862	51	10	8 5/8
REAMED					
CORED					

Tour 1	Midnite to 8 A.M.	Hrs.
DRILLER	F. KEMP	12
DERRICK	M. OBRIEN	12
MOTORMAN	L. HOUKSHAW	12
FLOORMAN	W. BOKS	12
FLOORMAN	V. HANSEN	12
FIREMAN		

TALLY

BIT RECORD

No.	LENGTH	BIT No.	SIZE	MAKE	TYPE	SERIAL	JET SIZE	FROM	TO	FOOTAGE	HRS.	COND.
11	1017.62	15	8 5/8	HTC	WT H7	75715 76267	Con	1741	1824	54	13	3-2-1
2	62.15											
26	760.17											
PARKER	5.20											
KELLY IN	17											
TOTAL	1862											
RATHOLE TOP												

REMARKS AND INJURIES:

CONTRACTOR'S TIME

CO'S TIME

8-4 TOUR

	FROM	TO	FOOTAGE	HRS.	SIZE
DRILLED					
REAMED					
CORED					

Tour 2	8 A.M. to 4 P.M.	Hrs.
DRILLER	S. Watson	12
DERRICK	G. G. HANSON	12
MOTORMAN	J. Paul	12
FLOORMAN	H. Hruschchak	12
FIREMAN		

TALLY

BIT RECORD

No.	LENGTH	BIT No.	SIZE	MAKE	TYPE	SERIAL	JET SIZE	FROM	TO	FOOTAGE	HRS.	COND.
STANDS												
SINGLE												
D.C.'s												
KELLY IN												
TOTAL												
RATHOLE TOP												

REMARKS AND INJURIES:

CONTRACTOR'S TIME

CO'S TIME

4-12 TOUR

Close Hydril
Bit + Change Rollers
Button Reamer
+ Ream + Clean To Bottom + Fill
Hole

	FROM	TO	FOOTAGE	HRS.	SIZE
DRILLED	1862	1955	93	10	8 5/8
REAMED					
CORED					

Tour 3	4 P.M. to Midnite	Hrs.
DRILLER	G. BARNHURST	12
DERRICK	W. RINAS	12
MOTORMAN	P. PAVERICH	12
FLOORMAN	J. FINEY	12
FLOORMAN	D. HEBNER	12
FIREMAN	J. BUNNELL	12

TALLY

BIT RECORD

No.	LENGTH	BIT No.	SIZE	MAKE	TYPE	SERIAL	JET SIZE	FROM	TO	FOOTAGE	HRS.	COND.
STANDS	110.30	16	8 5/8	HTC	H7 WT	76267 76274 76275	Con	1824	1905	51	50	3-2-1
SINGLE	62.01											
D.C.'s	760.17											
PARKER	5.20											
KELLY IN	17.32											
TOTAL	1955											
RATHOLE TOP												

REMARKS AND INJURIES:

CONTRACTOR'S TIME

CO'S TIME

MIN.

EQUIPMENT FAILURES

TIME LOST

TON MILE

TOOL PUSHER: Blower

APPROVED: M. Graham

CALGARY OFFICE

SOCONY MOBIL OIL OF CANADA, LTD.

DAILY DRILLING REPORT

FIELD or AREA: EAGLE PLAINS WELL NAME & No. BIRCH #1 CONTRACTOR FARKER

TIME	MUD RECORD				BIT WT. M	TABLE		PUMP		DEVIATION		START	STOP	HRS.	WORK RECORD
	WT.	VISC.	W.L.	F.C.		RPM	SPM	PRESS	DEPTH	DEG.					
2 A.M.	9.1	39			50	60	65	650				12:00	12:30	1/4	ENTER CIVILY ELEMENT TO BOTTOM
4 A.M.	9.1	42.8.0	162	50	60	65	650					12:45	1:00	3 1/2	DRAG 8 7/8 HOLE
6 A.M.	9.1	45			50	60						1:00	1:45	7 1/4	SERVICE SIG V HYDRA PUL CR
8 A.M.	9.1	42										1:45	12:00	1/4	DRAG 8 7/8 HOLE TRIP OUT

LINER SIZE: 6 1/2 STROKE 16

MUD & CHEMICALS

LBS. Added	KIND
1500	GEL
100	CARBONOX
100	CAUSTIC

BOP Tested YES

DRILLER: F. Trump

CONTRACTOR'S TIME

CO'S TIME

TIME	MUD RECORD				BIT WT. M	TABLE		PUMP		DEVIATION		START	STOP	HRS.	WORK RECORD
	WT.	VISC.	W.L.	F.C.		RPM	SPM	PRESS	DEPTH	DEG.					
10 A.M.															
NOON															
2 P.M.	9.1	40.8.0													
4 P.M.	9.1	39													

LINER SIZE: _____ STROKE _____

MUD & CHEMICALS

LBS. Added	KIND

BOP Tested _____

DRILLER: _____

CONTRACTOR'S TIME

CO'S TIME

TIME	MUD RECORD				BIT WT. M	TABLE		PUMP		DEVIATION		START	STOP	HRS.	WORK RECORD
	WT.	VISC.	W.L.	F.C.		RPM	SPM	PRESS	DEPTH	DEG.					
6 P.M.	9	37			50	60	65	650				12:00	12:30	1/2	TRIP OUT
8 P.M.	9	36										12:30	1:45	1 1/4	RIG SEPT + CLOSE RIG ID RINGS
10 P.M.	9.1	42.8.0										12:45	1:30	3/4	TRIP OUT IN W/ BIT #15.
12 P.M.												1:30	12:00	10 1/2	DRAG 8 7/8 HOLE

LINER SIZE: 6 1/2 STROKE 16

MUD & CHEMICALS

LBS. Added	KIND	LBS.	ON HAND
1200	GEL		

BOP Tested ✓

DRILLER: B. Baker

CONTRACTOR'S TIME

CO'S TIME

CASING TESTED TO: _____ PSI. MIN. FORMATION TESTED _____ PSI. MIN. EQUIPMENT FAILURES _____
 RIG FUEL CONSUMPTION _____ GALS BOILER FUEL CONSUMPTION _____ GALS WIRELINE TON MILE _____ TOOL PUSHER _____

PETROBRAS OIL OF CANADA, LTD.

DATE APRIL 20, 65

No. 18 DAILY TIME SHEET

LOGGING REPORT

No. 18

Well BIRCH #1

CONTRACTOR PARKER

RIG No. 10

Approved

Date 4/20/65

WORK RECORD

12 - 8 TOUR

*cont to Ext 101
E
WHL 112 OK*

	FROM	TO	FOOTAGE	HRS.	SIZE
DRILLED	1673	1740	67	11 1/2	8 3/8
REAMED					
CORED					

Tour 1	Midnite to 8 A.M.	Hrs.
DRILLER	F. FRENCH	
DERRICK	M. O'BRIEN	
MOTORMAN	L. HOULAHAN	
FLOORMAN	W. TIPS	
FLOORMAN	V. HACHEY	
FIREMAN		

TALLY

BIT RECORD

No.	LENGTH	BIT No.	SIZE	MAKE	TYPE	SERIAL	JET SIZE	FROM	TO	FOOTAGE	HRS.	COND.
10	STANDS 92.18	14	8 3/8	HTC.	WTR 2	8109	Coil	1673	1740	67	11 1/2	B-2-1
1	SINGLE 31.50											
26	D.C.'s 760.17											
	KELLY IN 1.9											
	TOTAL 1740											

REMARKS AND INJURIES:

CONTRACTOR'S TIME

CO'S TIME

8 - 4 TOUR

	FROM	TO	FOOTAGE	HRS.	SIZE
DRILLED					
REAMED					
CORED					

Tour 2	8 A.M. to 4 P.M.	Hrs.
DRILLER	S. Watson	12
DERRICK	G. G. Hunter	12
MOTORMAN	J. Paul	12
FLOORMAN	H. Hruschak	12
FLOORMAN		
FIREMAN		

TALLY

BIT RECORD

No.	LENGTH	BIT No.	SIZE	MAKE	TYPE	SERIAL	JET SIZE	FROM	TO	FOOTAGE	HRS.	COND.
	STANDS											
	SINGLE											
	D.C.'s											
	KELLY IN											
	TOTAL											

REMARKS AND INJURIES:

CONTRACTOR'S TIME

CO'S TIME

4 - 12 TOUR

*Close Blind Runs
w/ B. + #15.*

	FROM	TO	FOOTAGE	HRS.	SIZE
DRILLED	1740	1811	71	10 1/2	8 3/8
REAMED					
CORED					

Tour 3	4 P.M. to Midnite	Hrs.
DRILLER	G. HARRIS	12
DERRICK	W. R. RINEB	12
MOTORMAN	PAUL PAULICH	12
FLOORMAN	JOHN FREY	12
FLOORMAN	DENNIS HEWNER	12
FIREMAN	JIM BURNELL	12

TALLY

BIT RECORD

No.	LENGTH	BIT No.	SIZE	MAKE	TYPE	SERIAL	JET SIZE	FROM	TO	FOOTAGE	HRS.	COND.
10	STANDS 101.2	15	8 3/8	HTC	WTR 2	8109	Coil	1740	1811	71	10 1/2	
	SINGLE											
	D.C.'s 760.17											
	5.70											
	KELLY IN 29.11											
	TOTAL 1811											

REMARKS AND INJURIES:

CONTRACTOR'S TIME

CO'S TIME

IN

EQUIPMENT FAILURES

TIME LOST

ON MILE

TOOL PUSHER.

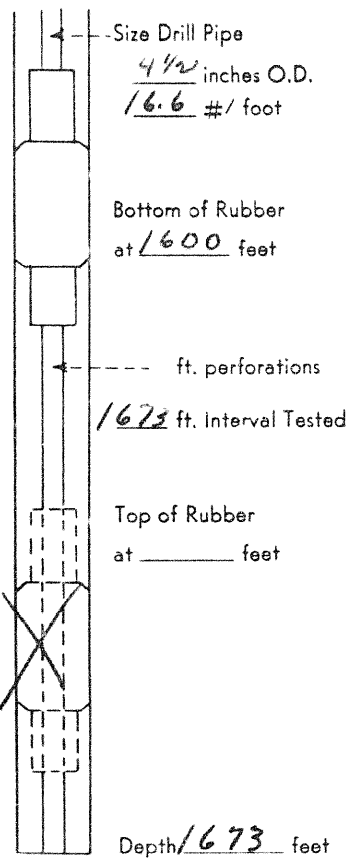
APPROVED:

CALGARY OFFICE

Reese

M. Graham

WELL SMWM BIRCH YF B-34 TEST No. 4



Laid Down
Down on Kelly

23'

Total
Picked Up
Test Tool

47.77

Total

Picked Up

Laid Down

Feet up on bottom

Type Test Tool

Type and Size of Packers BOB TAIL 7 1/2"

Jars NIL

WELL SMWM

TESTING COMPANY

HOLE DATA:

9 5/8" casing to 59

9 5/8" hole to 16

hole from

MUD: Viscosity

TEST DATA:

Started in 18'

On bottom 2091

Tool open 2041

Gas to surface NIL

Mud level dropped? NIL

PIPE RECOVERY 15'

Mud 15'

Oil

GAS FLOW:

Time Riser C

SAMPLE DATA:

Gas Sampled at _____ psi. container pressure

Oil sample taken _____ ft. and _____ ft. above packer

Water sample taken _____ ft. above packer

Disposal of samples

REMARKS: W. I. P. W. A. B.

PRESSURES:

FBHP from 20

SIBHP from 300

Hydrostatic head 725'

DISTRIBUTION: WHITE - CALGARY OFFICE YELLOW - FIELD OFFICE PINK - CONSERVATION

SOCONY MOBIL OIL OF CANADA, LTD.
 DRILL STEM TEST REPORT

3-37

No. 4.

WELL SMWM BIRCH YF B-34 DATE April 19/65
 TESTING COMPANY JOHNSTON TESTERS OPERATOR SCHIEFFELMAIER

HOLE DATA:

9 5/8 " casing to 599 K.B. ft. Interval tested 1600 ft. to 1673 ft.
9 5/8 " hole to 1673 ft. Formation tested ALDER
 " hole from _____ ft. to _____ ft. Formation top 955 ft.
 MUD: Viscosity 38 secs. Weight 9.1 lbs./gal. W/L 2.0 cc/30 min.

TEST DATA:

Started in 18 15 (A.M.) Oil to surface _____
 On bottom 20 41 (P.M.) Shut in 21 11
 Tool open 20 41 Pulled Loose 22 11
 Gas to surface NIL Out of hole 23 15
 Mud level dropped? NIL FT.
 PIPE RECOVERY 15' SLO.C.M.
 Mud 15' Water _____ p.p.m. NaCl
 Oil _____ Gravity _____ °API at 60°F Shake out _____

GAS FLOW:

Time	Riser O.D. (ins.)	Side Pressure (psi.)	Pilot Differential (Inches Hg./H ₂ O)	Flow Rate (MCF/day)
				<u>NIL</u>

PRESSURES:

FBHP from 20 psi. to 50 psi.
 SIBHP from 300 psi. to 295 psi.
 Hydrostatic head 725 psi. 725 Choke size _____ ins. 1/2

W. Sukham
 Engineer

Handwritten initials

SOCONY MOBIL OIL OF CANADA, LTD.

DAILY DRILLING REPORT

FIELD or AREA: EAGLE PLAINS WELL NAME & No. BIRCH #1 CONTRACTOR PARKER

TIME	MUD RECORD				BIT WT. M	TABLE		PUMP		DEVIATION		START	STOP	HRS.	WORK RECORD
	WT.	VISC.	W.L.	F.C.		RPM	SPM	PRESS	DEPTH	DEG.					
2 A.M.	9.1	39	9.0	132	50	60	65	650	1604	1°	12:00	4:30	1 1/2	DRILL 8 3/8 HOLE	
4 A.M.	9.1	40			50	60	✓	✓			4:30	4:45	1/4	DROP SURVEY	
6 A.M.											4:45	5:30	3/4	TRIP OUT	
8 A.M.	9.1	42			50	60	✓	✓			5:30	5:45	1/4	SERVICE TRIP CLOSE BLIND RIGS	
											5:45	6:30	3/4	TRIP IN	
											6:30	12:00	5 1/2	DRILL 8 3/8 HOLE	

LINER SIZE: 6 1/2 STROKE 16

MUD & CHEMICALS

LBS. Added: 1000 KIND: GEL
100 CAUSTIC
50 PELLET

BOP Tested: DRILLER: J. K... CONTRACTOR'S TIME: _____ CO'S TIME: _____

TIME	MUD RECORD				BIT WT. M	TABLE		PUMP		DEVIATION		START	STOP	HRS.	WORK RECORD
	WT.	VISC.	W.L.	F.C.		RPM	SPM	PRESS	DEPTH	DEG.					
10 A.M.	9.2	43	7.0	120				65	650						
NOON	9.2	43						✓	✓						
2 P.M.	9.2	70													
4 P.M.	9.1	38													

LINER SIZE: _____ STROKE _____

MUD & CHEMICALS

LBS. Added: _____ KIND: _____

BOP Tested: DRILLER: _____ CONTRACTOR'S TIME: _____ CO'S TIME: _____

DST #4. 1600 - 1673 DRAIN 7 1/2
 151. 30 mins - T.O. 30 mins - FOP 60 mins
 Tool opened w.i.p. Wash air blow throughout test.
 1. HP 725 IFP 20 151P 300
 FHP 725 FFP 50 FOP 295
 RECOVERO 151 mud
 SLO.C.M.

TIME	MUD RECORD				BIT WT. M	TABLE		PUMP		DEVIATION		START	STOP	HRS.	WORK RECORD
	WT.	VISC.	W.L.	F.C.		RPM	SPM	PRESS	DEPTH	DEG.					
6 P.M.	9.1	38	8.0	7/32	50	60	65		1673	1 1/4	12:00	9:30	4 1/2	DRILL 8 3/8" HOLE	
8 P.M.											9:30	9:45	1/4	DROP SURVEY @ 1673 - 1 1/4	
10 P.M.											9:45	5:15	1/2	TRIP OUT	
12 P.M.											5:15	5:30	1/4	RIG SERV. & CLOSE BLIND RIGS	
											5:30	8:45	1 1/4	PICK UP PACKER & TAIL PIPE	
											8:45	7:30	3/4	TRIP IN w/ PACKER	
											7:30	10:15	2 3/4	RIG UP TO TEST & TEST DST #4	
											10:15	10:45	1/2	TRIP OUT	
											10:45	11:15	1/2	LAY DOWN PACKER	
											11:15	11:30	1/4	CLEAN SUCTION TANK	
											11:30	12:00	1/2	TRIP IN w/ BIT #14	

LINER SIZE: 6 1/2 STROKE 16

MUD & CHEMICALS

LBS. Added: 460 KIND: SOLTEX

BOP Tested: DRILLER: A. ... CONTRACTOR'S TIME: _____ CO'S TIME: _____

CASING TESTED TO: _____ PSI. MIN. FORMATION TESTED _____ PSI. MIN. EQUIPMENT FAILURES: _____

RIG FUEL CONSUMPTION _____ GALS BOILER FUEL CONSUMPTION _____ GALS WIRELINE TON MILE _____ CO. - PUSHER: Blower

SOCONY MOBIL OIL OF CANADA, LTD.

DAILY DRILLING REPORT

 FIELD OF AREA: EAGLE PLAINS

 WELL NAME & No. BIRCH #1

 CONTRACTOR PARKER

TIME	MUD REC				RD	BIT WT. M	TABLE RPM	PUMP		DEVIATION		START	STOP	HRS.	WORK RECORD	12-8 TOUR
	WT.	VISC.	W.L.	F.C.				SPM	PRESS	DEPTH	DEG.					
2 A.M.	9.0	42	7.6	1/32	40	60	65					1200	315	3 1/4	DRILL 8 3/8 HOLE	
4 A.M.												315	415	1/2	TRIP OUT	
6 A.M.						40	60	65	650			315	415	1/2	RIG SERVICE CLOSE BLIND RAIS	
8 A.M.	9.1	41	7.6	1/32								410	430	1/2	TRIP IN	
												430	1200	7 1/2	DRILL 8 3/8 HOLE	
LINER SIZE: <u>6 1/2</u> STROKE <u>16</u>																
MUD & CHEMICALS																
LBS. Added: _____ KIND <u>WATER</u>																
BOP Tested _____ DRILLER: <u>F. Kreny</u> CONTRACTOR'S TIME _____ CO'S TIME _____																

TIME	MUD RECORD				RD	BIT WT. M	TABLE RPM	PUMP		DEVIATION		START	STOP	HRS.	8-4 TOUR
	WT.	VISC.	W.L.	F.C.				SPM	PRESS	DEPTH	DEG.				
10 A.M.	9.1	42	-	-	40	60	65	650							
NOON	9.1	42	7.4	1/32	40	60	-	-							
2 P.M.															
4 P.M.															
LINER SIZE: _____ STROKE _____															
MUD & CHEMICALS															
LBS. Added: _____ KIND _____															
BOP Tested _____ DRILLER: _____ CONTRACTOR'S TIME _____ CO'S TIME _____															

TIME	MUD RECORD				RD	BIT WT. M	TABLE RPM	PUMP		DEVIATION		START	STOP	HRS.	4-12 TOUR
	WT.	VISC.	W.L.	F.C.				SPM	PRESS	DEPTH	DEG.				
6 P.M.	9.1	40	7.8	1/32	40	60	65	650	1230	10		1200	230	2 1/2	DRILL 8 3/8" HOLE
8 P.M.	7.1	42	-	-								230	295	1/4	DROP SURVEY @ 1530-10
10 P.M.	7.1	41										295	315	1/2	TRIP OUT FOR BIT.
12 P.M.	7.1	41	7.8	1/32	50	60	65	650				315	330	1/4	RIG SERV. & CLOSE BLIND RAIS.
												330	445	1 1/4	TRIP IN PICK UP 6 DRILL COLLARS.
												445	1200	7 1/4	DRILL 8 3/8" HOLE w/ 50' 000
LINER SIZE: <u>6 1/2</u> STROKE <u>16</u>															
MUD & CHEMICALS															
LBS. Added: <u>1200</u> KIND <u>GEL</u> LBS. _____ ON HAND <u>WATER.</u>															
BOP Tested <u>✓</u> DRILLER: <u>A. Barbicost</u> CONTRACTOR'S TIME _____ CO'S TIME _____															

CASING TESTED TO: _____ PSI. MIN.
 FORMATION TESTED: _____ PSI. MIN.
 EQUIPMENT FAILURES: _____

RIG FUEL CONSUMPTION: _____ GALS
 BOILER FUEL CONSUMPTION: _____ GALS
 WIRELINE TON MILE: _____
 TOOL PUSHER: Barbicost

SOCONY MOBIL OIL OF CANADA, LTD.

DAILY DRILLING REPORT

 FIELD OF AREA: EAGLE PLAINS

 WELL NAME & No. BIRCH #1

 CONTRACTOR PARKER

TIME	MUD REC				RD	BIT WT. M	TABLE RPM	PUMP		DEVIATION		START	STOP	HRS.	WORK RECORD	12-8 TOUR
	WT.	VISC.	W.L.	F.C.				SPM	PRESS	DEPTH	DEG.					
2 A.M.	9.0	42	7.6	1/32	40	60	65					1200	315	3 1/4	DRILL 8 3/8 HOLE	
4 A.M.												315	415	1/2	TRIP OUT	
6 A.M.						40	60	65	650			315	415	1/2	RIG SERVICE CLOSE BLIND RAIS	
8 A.M.	9.1	41	7.6	1/32								410	430	1/2	TRIP IN	
												430	1200	7 1/2	DRILL 8 3/8 HOLE	
LINER SIZE: <u>6 1/2</u> STROKE <u>16</u> MUD & CHEMICALS LBS. Added: _____ KIND <u>WATER</u>																
BCP Tested _____ DRILLER: <u>F. Kreny</u> CONTRACTOR'S TIME _____ CO'S TIME _____																

TIME	MUD RECORD				RD	BIT WT. M	TABLE RPM	PUMP		DEVIATION		START	STOP	HRS.	8-4 TOUR
	WT.	VISC.	W.L.	F.C.				SPM	PRESS	DEPTH	DEG.				
10 A.M.	9.1	42	-	-	40	60	65	650							
NOON	9.1	42	7.4	1/32	40	60	-	-							
2 P.M.															
4 P.M.															
LINER SIZE: _____ STROKE _____ MUD & CHEMICALS LBS. Added: _____ KIND _____															
BCP Tested _____ DRILLER: _____ CONTRACTOR'S TIME _____ CO'S TIME _____															

TIME	MUD RECORD				RD	BIT WT. M	TABLE RPM	PUMP		DEVIATION		START	STOP	HRS.	4-12 TOUR
	WT.	VISC.	W.L.	F.C.				SPM	PRESS	DEPTH	DEG.				
6 P.M.	9.1	40	7.8	1/32	40	60	65	650	1230	10		1200	230	2 1/2	DRILL 8 3/8" HOLE
8 P.M.	7.1	42	-	-								230	295	1/4	DROP SURVEY @ 1530 - 1"
10 P.M.	7.1	41										295	315	1/2	TRIP OUT FOR BIT.
12 P.M.	7.1	41	7.8	1/32	50	60	65	650				315	330	1/4	RIG SERV. & CLOSE BLIND RAIS.
												330	445	1 1/4	TRIP IN PICK UP 6 DRILL COLLARS.
												445	1200	7 1/4	DRILL 8 3/8" HOLE w/ 50' 00"
LINER SIZE: <u>6 1/2</u> STROKE <u>16</u> MUD & CHEMICALS LBS. Added: <u>1200</u> KIND <u>GEL</u> LBS. _____ ON HAND <u>WATER</u>															
BCP Tested <u>✓</u> DRILLER: <u>A. Barbicost</u> CONTRACTOR'S TIME _____ CO'S TIME _____															

CASING TESTED TO: _____ PSI. MIN.
 FORMATION TESTED: _____ PSI. MIN.
 EQUIPMENT FAILURES: _____
 RIG FUEL CONSUMPTION: _____ GALS
 BOILER FUEL CONSUMPTION: _____ GALS
 WIRELINE TON MILE: _____
 TOOL PUSHER: Barbicost

SOCONY MOBIL OIL OF CANADA, LTD.
 DRILL STEM TEST REPORT

3-37

No. 3

WELL SMWM BIR: H Y T 13-34 DATE APRIL 17-65

TESTING COMPANY JOHNSTON TESTERS OPERATOR ROSE

HOLE DATA:

9 5/8 " casing to 599 K.B. Interval tested 1163 ft. to 1329 ft.

8 5/8 " hole to 1829 ft. Formation tested ALDER.

" hole from _____ ft. to _____ ft. Formation top 955 ft.

MUD: Viscosity 47 secs. Weight 9.0 lbs./gal. W/L 8.0 cc/30 min.

TEST DATA:

Started in 0245 (A.M.) Oil to surface _____ (P.M.)

On bottom 03.32 Shut in 04.37

Tool open 04.07 Pulled Loos 05-37

Gas to surface _____ Out of hole 06:30

Mud level dropped? N/O FT.

PIPE RECOVERY. 220'

Mud 220' Water _____ p.p.m. NaCl _____

Oil _____ Gravity _____ °API at 60°F Shake out _____

WEAK AIR BLOW DEAD IN 20 MIN.

GAS FLOW:

Time	Riser O.D. (ins.)	Side Pressure (psi.)	Pilot Differential (Inches Hg/H2O)	Flow Rate (MCF/day)

PRESSURES:

FBHP from 110 psi. to 125 psi.

SIBHP from 125 psi. to 125 psi.

Hydrostatic head 550 psi. 500 Choke size _____ ins. 1/2

M.S. Salem
 Engineer

Russell T.P.

SOCONY MOBIL OIL OF CANADA, LTD.

DAILY DRILLING REPORT

FIELD or AREA: EAGLE PLAINS

WELL NAME & No. BIRCH #1

CONTRACTOR PAINTER

TIME	MUD RECORD				BIT WT. M	TABLE RPM	PUMP		DEVIATION		START	STOP	HRS.	WORK RECORD	12-8 TOUR
	WT.	VISC.	W.L.	F.C.			SPM	PRESS	DEPTH	DEG.					
2 A.M.											12:00	12:15	1/4	DRAG 8 5/8" HOLE	
4 A.M.											12:15	1:00	3/4	CIRC TO TEST	
6 A.M.											1:00	1:30	1/2	TRIP OUT	
8 A.M.					40	60	65	550			1:30	2:15	3/4	PICK UP 4 MAKE UP PACKER	
											2:15	3:00	3/4	TRIP IN w/ PACKER	
											3:00	5:30	1	HEND UP TEST & TESTING	
											5:30	7:30	2	TRIP OUT BREAK & LET DOWN PACKER TRIP IN w/ BIT	
											7:30	12:00	4 1/2	DRAG 8 5/8" HOLE	

LINER SIZE: _____ STROKE _____
 MUD & CHEMICALS
 LBS. Added: _____ KIND _____

DIST. #3 From 1163 To 1239

BOP Tested _____ DRILLER: T. K. King CONTRACTOR'S TIME _____ CO'S. TIME _____

TIME	MUD RECORD				BIT WT. M	TABLE RPM	PUMP		DEVIATION		START	STOP	HRS.	WORK RECORD	8-4 TOUR
	WT.	VISC.	W.L.	F.C.			SPM	PRESS	DEPTH	DEG.					
10 A.M.	9.0	45	8.0	1/32	40	60	65	550							
NOON	9.0	45	8.6	1/32	40	60	✓	✓							
2 P.M.															
4 P.M.															

LINER SIZE: _____ STROKE _____
 MUD & CHEMICALS
 LBS. Added: 900 GEL
 100 PALTR BUILD VOLUME
 50 CAUSTIC
 CLEANED SHAPER TANK.

DIST. #3 - 1163 - 1329 -
 G.I.P. - W.A.B. DEAD IN 20 MIN.
 1 S.I. 30 - T.O 30 - F.O. 1-60
 REC. 220' MUD.

1 HP 550 1 FP 125 1 S.I.P 110
 1 HP 500 1 FP 125 1 S.I.P 125

BOP Tested _____ DRILLER: _____ CONTRACTOR'S TIME _____ CO'S. TIME _____

TIME	MUD RECORD				BIT WT. M	TABLE RPM	PUMP		DEVIATION		START	STOP	HRS.	WORK RECORD	4-12 TOUR
	WT.	VISC.	W.L.	F.C.			SPM	PRESS	DEPTH	DEG.					
6 P.M.	9.0	45			40	60	65	550	14	10	1/8				
8 P.M.	9.0	43													
10 P.M.	9.0	42													
12 P.M.	9.1														

LINER SIZE: 6 1/2 STROKE 16.
 MUD & CHEMICALS
 LBS. Added: 2000* GEL

DRILL 8 5/8" HOLE
 DROP SURVEY @ 1410 - 7/8
 TRIP OUT FOR BIT
 RIG SERVICE + CLOSE BLIND RAMS.
 CLEAN SUCTION TANK.
 TRIP IN w/ BIT #10
 DRILL 8 5/8" HOLE

BOP Tested _____ DRILLER: A. B. Barfoot CONTRACTOR'S TIME _____ CO'S. TIME _____

CASING TESTED TO: _____ PSI. MIN. FORMATION TESTED _____ PSI. MIN. EQUIPMENT FAILURES _____

RIG FUEL CONSUMPTION _____ GALS BOILER FUEL CONSUMPTION _____ GALS WIRELINE TON MILE _____ TOOL PUSHER: Barfoot

BPIL OIL OF CANADA, LTD.

DATE April 17, 65

No. 15 DAILY TIME SHEET

LOGGING REPORT

No. 15

Well BIRCH #1

CONTRACTOR PICKER

RIG No. 10

Approved

Date 4/17/65

WORK RECORD

12 - 8 TOUR

	FROM	TO	FOOTAGE	HRS.	SIZE
DRILLED	1326	1369	43	4 3/4	8 3/8
REAMED					
CORED					

Tour 1	Midnite to 8 A.M.	Hrs.
DRILLER	F. KREMP	12
DERRICK	M. O'BRIEN	12
MOTORMAN	A. HOUWIND	12
FLOORMAN	W. KYKS	12
FLOORMAN	V. HUCHET	12
FIREMAN		

UP PICKER

TESTING

15-4 Lat Down PICKER TRIP IN W/ BIT

TALLY		BIT RECORD	
No.	LENGTH	BIT No.	SIZE
8	139.97	8	8 3/8
		9	8 3/8
		SIZE	8 3/8
SINGLE		MAKE	HTC HTC
20	588.27	TYPE	WTR WTR
	5.20	SERIAL	37577 37577
		JET SIZE	CON CON
		FROM	1309 1329
		TO	1329 1369
KELLY IN	37.00	FOOTAGE	20 40
TOTAL	1369	HRS.	1 1/2 4 1/2
		COND.	1-1-1 5-1-1

REMARKS AND INJURIES:

1163 To 1239

CONTRACTOR'S TIME

CO's. TIME

	FROM	TO	FOOTAGE	HRS.	SIZE
DRILLED					
REAMED					
CORED					

Tour 2	8 A.M. to 4 P.M.	Hrs.
DRILLER	S. Watson	12
DERRICK	G. G. J. J. J.	12
MOTORMAN	J. Paul	12
FLOORMAN	H. Hrushchak	12
FLOORMAN		
FIREMAN		

- 1163 - 1329 -
A.B. DEAD IN 20 MIN.
0 30 - F.S.I. - 60 -
O.D.

11P 125 15IP 110
11P 125 15IP 125

TALLY		BIT RECORD	
No.	LENGTH	BIT No.	SIZE
STANDS		SIZE	
SINGLE		MAKE	
D.C.'s		TYPE	
		SERIAL	
		JET SIZE	
		FROM	
		TO	
KELLY IN		FOOTAGE	
TOTAL		HRS.	
		COND.	

REMARKS AND INJURIES:

CONTRACTOR'S TIME

CO's. TIME

	FROM	TO	FOOTAGE	HRS.	SIZE
DRILLED	1369	1451	82	8 3/8	
REAMED					
CORED					

Tour 3	4 P.M. to Midnite	Hrs.
DRILLER	G. B. W. H. R. S. T.	12
DERRICK	W. J. D. N. A. S.	12
MOTORMAN	P. P. A. U. E. L. I. C. H.	12
FLOORMAN	J. F. R. E. Y.	12
FLOORMAN	D. H. E. B. N. E. R.	12
FIREMAN	J. B. U. R. R. E. L. L.	12

@ 1410 - 7/8
OR Bit
CLOSE BLIND RAMS.
ON TANK.
Bit # 10
16

TALLY		BIT RECORD	
No.	LENGTH	BIT No.	SIZE
7	234.00	9	10
		10	8 3/8
		SIZE	8 3/8
SINGLE		MAKE	HTC HTC
20	588.27	TYPE	WTR WTR
	5.20	SERIAL	37577 68802
		JET SIZE	CON CON
		FROM	1329 1410
		TO	1410 1451
KELLY IN	23.53	FOOTAGE	31 41
TOTAL	1451	HRS.	4 1/2 5 1/4
		COND.	3-2-1 7-1-1

REMARKS AND INJURIES:

CONTRACTOR'S TIME

CO's. TIME

MIN. EQUIPMENT FAILURES

TIME LOST

TON MILE

TOOL PUSHER: Pickner

APPROVED: M. O'Brien

CALGARY OFFICE

SOCONY MOBIL OIL OF CANADA, LTD.
CORE REPORT

CONTRACTOR Parker Drilling Co. AREA Fraser Basin LOCATION Brown #1
THIS SECTION TO BE FILLED AT THE WELL

DATE	CORE NO.	DEPTH CORED		FOOTAGE CORED	TIME			% RECO. VERY	CORE BIT					BARREL			PUMP		TABLE RPM	FOOTAGE CORED	HRS. CORING
		FROM	TO		START	STOP	HRS. CORING		NO.	MAKE	SIZE	TYPE	SER. NO.	TYPE	WT	SPM	PRESS				
April 2	1289	1290	1	12:16	12:33	17		7	Christ. Co.	EC151	6			5 ¹²	44	425	64				
	1290	1291	2	12:33	12:55	23								5 ¹¹	43	450	64				
	1291	1292	3	12:55	1:08	13								7 ¹¹	43	450	64				
	1292	1293	4	1:08	1:23	15								7 ¹¹	43	450	64				
	1293	1294	5	1:23	1:39	16								7 ¹¹	43	450	64				
	1294	1295	6	1:39	1:52	18								7 ¹¹	43	558	64				
	1295	1296	7	1:52	2:16	19								9 ¹¹	43	525	64				
	1296	1297	8	2:16	2:30	14								9 ¹¹	43	550	64				
	1297	1298	9	2:30	2:47	17								9 ¹¹	43	550	64				
	1298	1299	10	2:47	3:10	17								9 ¹¹	43	550	64				
	1299	1300	11	3:10	3:33	18								9 ¹¹	43	575	64				
	1300	1301	12	3:33	3:53	25								9 ¹¹	43	575	64				
	1301	1302	13	3:53	4:27	29								9 ¹¹	43	575	64				
	1302	1303	14	4:27	4:56	28								9 ¹¹	43	575	64				
	1303	1304	15	4:56	5:24	28								9 ¹¹	43	575	64				
	1304	1305	16	5:24	5:57	33								9 ¹¹	43	575	64				
	1305	1306	17	5:57	6:21	24								9 ¹¹	43	575	64				
	1306	1307	18	6:21	6:36	15								9 ¹¹	43	575	64				
	1307	1308	19	6:36	7:57	21								9 ¹¹	43	575	64				
	1308	1309	20	7:57	7:22	25								9 ¹¹	43	575	64				

16:50

DISTRIBUTION: WHITE - TO CALGARY OFFICE. YELLOW - TO FIELD OFFICE.

SOCONY MOBIL OIL OF CANADA, LTD.

DAILY DRILLING REPORT

FIELD or AREA: EAGLE PLAINS WELL NAME & No. BIRCH #1 CONTRACTOR PARKEE 12-8 TOUR

TIME	MUD RECORD				BIT WT. M	TABLE RPM	PUMP		DEVIATION		START	STOP	HRS.	WORK RECORD
	WT.	VISC.	W.L.	F.C.			SPM	PRESS	DEPTH	DEG.				
2 A.M.	8.9	40	7.6	132			LS	550	1285	1/8	1200	1215	1/4	SERVICE RIG w/ HYDRIL ALL OK.
4 A.M.	8.9	40									800	815	7/8	DRAG 8 7/8 HOPE
6 A.M.	8.9	59	7.6	132							815	945	1 1/2	DROP SURVEY @ 1285
8 A.M.											945	1015	1/2	TRIP FOR NEW BIT
											1015	1045	1/2	CIRC TO CORE
											1045	1200	1 1/2	TRIP TO PICK UP CORE BBL (MEASURE PVT)
											1145	1200	1/4	CIRC CORE BBL.

LINER SIZE: 6 1/2 STROKE 16

MUD & CHEMICALS

LBS. Added: 50 KIND: CAUSTIC SODA

BOP Tested: _____ DRILLER: Frank Kumpf CONTRACTOR'S TIME: _____ CO'S. TIME: _____

TIME	MUD RECORD				BIT WT. M	TABLE RPM	PUMP		DEVIATION		START	STOP	HRS.	WORK RECORD
	WT.	VISC.	W.L.	F.C.			SPM	PRESS	DEPTH	DEG.				
10 A.M.														
NOON														
2 P.M.														
4 P.M.														

LINER SIZE: _____ STROKE _____

MUD & CHEMICALS

LBS. Added: _____ KIND: _____

BOP Tested: _____ DRILLER: _____ CONTRACTOR'S TIME: _____ CO'S. TIME: _____

TIME	MUD RECORD				BIT WT. M	TABLE RPM	PUMP		DEVIATION		START	STOP	HRS.	WORK RECORD
	WT.	VISC.	W.L.	F.C.			SPM	PRESS	DEPTH	DEG.				
6 P.M.	8.9	40	8.0	132			69	43	550		1200	1215	1/4	CIRC. CORE BBL
8 P.M.											1215	1230	7/8	Cutting CORE #2
10 P.M.	7.0	47	8.0	132							1230	3:00	1/2	TRIP Out w/ CORE BBL.
12 P.M.							60	65	550		800	815	1/2	RECOVER CORE & SERVICE BBL.
											830	845	1/4	Rig SERVICE & CLOSE BLIND 97.125
											845	915	1/2	TRIP IN w/ BIT
											915	1045	1 1/2	REAM 6 1/8" RAT Hole to 870
											1045	1200	1 1/4	Drill 8 7/8" Hole w/ 40' 100

LINER SIZE: 6 1/2 STROKE 6

MUD & CHEMICALS

LBS. Added: 2200 KIND: CEL

200 SOLTEX

700 DELTEX

LBS. ON HAND: _____

BOP Tested: DRILLER: A. Barlow CONTRACTOR'S TIME: _____ CO'S. TIME: _____

CASING TESTED TO: _____ PSI. MIN. FORMATION TESTED _____ PSI. MIN. EQUIPMENT FAILURES _____

RIG FUEL CONSUMPTION _____ GALS BOILER FUEL CONSUMPTION _____ GALS WIRELINE TON MILE _____ TOOL PUSHER: R. P. ...

OBIL OIL OF CANADA, LTD.

DATE APRIL 16, 65

No. 14 DAILY TIME SHEET

LOGGING REPORT

No. 14

Well BIRCH #1

CONTRACTOR PARKER

RIG No. 10

Approved

Date 4/16/65

WORK RECORD

12 - 8 TOUR

HYDRIL ALL OK.

1255

BIT

COKE BBL (MENSURE PIPE)

BBL.

	FROM	TO	FOOTAGE	HRS.	SIZE
DRILLED	1221	1259	68	1 1/4	8 3/8
REAMED					
CORED					

Tour 1	Midnite to 8 A.M.	Hrs.
DRILLER	<u>E. KREMP</u>	12
DERRICK	<u>M. OBIEN</u>	12
MOTORMAN	<u>J. HOUGHMAN</u>	12
FLOORMAN	<u>W. TYKS</u>	12
FIREMAN	<u>V. HACHEY</u>	12

TALLY

No.	LENGTH
STANDS	676.30
SINGLE	31.08
D.C.'s	588.27

BIT RECORD

BIT No.	SIZE	MAKE	TYPE	SERIAL	JET SIZE	FROM	TO	FOOTAGE	HRS.	COND.
7	8 3/8	HTC	WTR	37577	CON	1221	1259	68	1 1/4	3-21
8	8 3/8	HTC	WTR	37577	CON	1259	1289	20	7/4	NEW

KELLY IN	17
TOTAL	1289

REMARKS AND INJURIES:

CONTRACTOR'S TIME

CO'S. TIME

RAT HOLE TOP

8 - 4 TOUR

FROM TO FOOTAGE HRS. SIZE

DRILLED				
REAMED				
CORED				

Tour 2	8 A.M. to 4 P.M.	Hrs.
DRILLER	<u>Swanson</u>	12
DERRICK	<u>G. Gilbertson</u>	12
MOTORMAN	<u>Joe Paul</u>	12
FLOORMAN	<u>H. Houshchek</u>	12
FIREMAN		

TALLY

No.	LENGTH
STANDS	
SINGLE	
D.C.'s	

BIT RECORD

BIT No.	SIZE	MAKE	TYPE	SERIAL	JET SIZE	FROM	TO	FOOTAGE	HRS.	COND.

KELLY IN	
TOTAL	

REMARKS AND INJURIES:

CONTRACTOR'S TIME

CO'S. TIME

RAT HOLE TOP

4 - 12 TOUR

FROM TO FOOTAGE HRS. SIZE

DRILLED	1309	1326	17	1 1/4	8 3/8
REAMED	1289	1309	20	8 3/8	
CORED	1289	1309	20	7 1/4	6 1/4

Tour 3	4 P.M. to Midnite	Hrs.
DRILLER	<u>G. BURHURST</u>	12
DERRICK	<u>W. RINARS</u>	12
MOTORMAN	<u>P. PAVELICH</u>	12
FLOORMAN	<u>J. FREY</u>	12
FLOORMAN	<u>R. HEBNER</u>	12
FIREMAN	<u>J. DURRELL</u>	12

TALLY

No.	LENGTH
STANDS	696.30
SINGLE	62.28
D.C.'s	588.27

BIT RECORD

BIT No.	SIZE	MAKE	TYPE	SERIAL	JET SIZE	FROM	TO	FOOTAGE	HRS.	COND.
7	8 3/8	CHRISHTC	WTR	37577	CON	1289	1309	20	7/4	NEW
8	8 3/8	CHRISHTC	WTR	37577	CON	1309	1326	17	1 1/4	NEW

KELLY IN	2.45
TOTAL	1326

REMARKS AND INJURIES:

CONTRACTOR'S TIME

CO'S. TIME

RAT HOLE TOP

MIN.

EQUIPMENT FAILURES

TIME LOST

TON MILE

TOOL PUSHER:

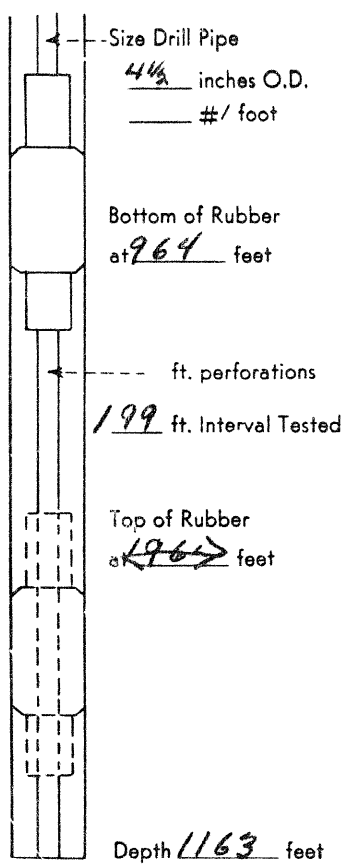
R. Rance

APPROVED:

M. S. Latham

CALGARY OFFICE

WELL SMWM BIRCH Y1 B-31 TEST No. TWO



Laid Down	
Down on Kelly	41
Total Picked Up Test Tool	49
Total	
Picked Up	
Laid Down	
Feet up on bottom	

Type Test Tool CONVENTIONAL Bottom Hole.

Type and Size of Packers BOB TAPPED 7 1/2"

Jars NIL.

WELL SMWM
TESTING COMPANY _____

HOLE DATA:
 9 5/8 " casing to 59
 9 5/4 " hole to 116
 " hole from _____

MUD: Viscosity _____

TEST DATA:
 Started in 14 43
 On bottom 16 07
 Tool open 16 22
 Gas to surface GAS

Mud level dropped? _____

PIPE RECOVERY:
 Mud 120'
 Oil _____

SAMPLE DATA:

Gas Sampled _____ at _____ psi. container pressure
 Oil sample taken _____ ft. and _____ ft. above packer
 Water sample taken _____ ft. above packer
 Disposal of samples MUD SAMPLE TAKEN @ 110' ABOVE PACKER

REMARKS:

GAS TO SURFACE IN 5 MIN.
G.I.P. T.S.T.M. 7' FLARE.

GAS FLOW:

Time _____ Riser C _____
1627

PRESSURES:

FBHP from 60
 SIBHP from 80
 Hydrostatic head 450

SOCONY MOBIL OIL OF CANADA, LTD.
 DRILL STEM TEST REPORT

3-37

No. Two

WELL SMWM BIRCH Y/B-34 DATE APRIL 25 1965
 TESTING COMPANY JOHNSTON TESTERS OPERATOR SCHIEFFELMANN

HOLE DATA:

9 5/8 " casing to 599 ft. Interval tested 964 ft. to 1163 ft.
9 5/8 " hole to 1163 ft. Formation tested ALDER
 " hole from _____ ft. to _____ ft. Formation top 955 ft.

MUD: Viscosity 37 secs. Weight 9.9 lbs./gal. W/L 8.0 cc/30 min.

TEST DATA:

Started in 14 45 (~~AM~~) (P.M.) Oil to surface N/A
 On bottom 16 07 Shut in 17 27
 Tool open 16 22 Pulled Loose 18 27
 Gas to surface Gas 5 min. - 16 27 Out of hole 19:30

Mud level dropped? N/A FT.

PIPE RECOVERY. 120'
 Mud 120' Water _____ p.p.m. NaCl
 Oil _____ Gravity _____ °API at 60°F Shake out _____

GAS FLOW:

Time	Riser O.D. (ins.)	Side Pressure (psi.)	Pilot Differential (Inches Hg/H ₂ O)	Flow Rate (MCF/day)
<u>1627</u>				<u>T.S.M.</u>

PRESSURES:

FBHP from 60 psi. to 60 psi.
 SIBHP from 80 psi. to 60 psi.
 Hydrostatic head 450 psi. 450 Choke size 1/2' ins.

M. Graham
 Engineer

from Hole.

7 1/2"

BE PACKER

SOCONY MOBIL OIL OF CANADA, LTD.

DAILY DRILLING REPORT

FIELD or AREA: ERLIE PLAINS WELL NAME & No. BIRCH #1 CONTRACTOR PACKER

TIME	MUD RECORD				BIT WT. M	TABLE RPM	PUMP		DEVIATION		START	STOP	HRS.	WORK RECORD	12-8 TOUR			
	WT.	VISC.	W.L.	F.C.			SPM	PRESS	DEPTH	DEG.								
2 A.M.	8.7	41	8.2	132	25	60	65	450	1075	3/4	1200	3:15	5 1/2	DRILL 8 3/8" HOLE				
4 A.M.											3:15	3:45	5	DRILL SURVEY & RUN SEAMER				
6 A.M.	8.8	41	8.2	132							3:45	4:15	1/2	TRIP OUT				
8 A.M.	8.8	41	8.2	132							4:15	5:00	3/4	CHANGE SQUARE SAVED SUB PICK UP 3 DRILL COLLARS				
											5:00	5:45	3/4	TRIP IN CLEAN TO BOTTOM				
											5:45	12:00	6 1/2	DRILL 8 3/8" HOLE				
LINER SIZE: <u>6 1/2</u> STROKE <u>16</u>																		
MUD & CHEMICALS																		
LBS. Added																		
KIND																		
											BOP Tested		DRILLER: <u>A. Kump</u>		CONTRACTOR'S TIME		CO'S. TIME	
TIME	MUD RECORD				BIT WT. M	TABLE RPM	PUMP		DEVIATION		START	STOP	HRS.	WORK RECORD	8-4 TOUR			
	WT.	VISC.	W.L.	F.C.			SPM	PRESS	DEPTH	DEG.								
10 A.M.	8.9	40	8.0	132			65	500										
NOON	8.9	38					65	500										
2 P.M.																		
4 P.M.																		
LINER SIZE:											STROKE							
MUD & CHEMICALS																		
LBS. Added																		
KIND																		
											BOP Tested		DRILLER:		CONTRACTOR'S TIME		CO'S. TIME	
D.S.T #2 964-1163-3491 G.T.S 5 mins																		
T.S.T.M. 7 FT MORE. 30 MIN ISI T.O																		
65 mins FS 1.00 mins RLC 120 FT																		
WATER.																		
1. HP 450 I.P.P. 60 I.S.P. 80																		
E.H.P. 450 I.P.P. 60 F.S.I.P. 60																		
TIME	MUD RECORD				BIT WT. M	TABLE RPM	PUMP		DEVIATION		START	STOP	HRS.	WORK RECORD	4-12 TOUR			
	WT.	VISC.	W.L.	F.C.			SPM	PRESS	DEPTH	DEG.								
6 P.M.	8.9	38	8.2	132	40	60	65	550			1200	1:30	1 1/2	DRILL 8 5/8" HOLE				
8 P.M.	8.9	37									1:30	2:15	3/4	CIRC. TO TEST.				
10 P.M.											2:15	2:45	1/2	TRIP OUT				
12 P.M.											2:45	3:15	1/2	PICK UP PACKER & TAIL P.P.				
											3:15	3:45	1/2	TRIP IN W/ PACKER.				
											3:45	6:30	2 3/4	RIG UP TESTING HEAD & TESTING DST #2.				
											6:30	7:00	1/2	TRIP OUT W/ PACKER.				
											7:00	7:30	1/2	LAY DOWN PACKER.				
											7:30	8:15	3/4	TRIP IN W/ BIT #6 & PICK UP 3 COLLARS				
											8:15	8:30	1/4	BREAK CIRC. & CLEAN 6' TO BOTTOM				
											8:30	12:00	3 1/2	DRILL 8 5/8" HOLE				
LINER SIZE: <u>6 1/2</u> STROKE <u>16</u>																		
MUD & CHEMICALS																		
LBS. Added																		
KIND																		
											LBS.		ON HAND					
											BOP Tested		DRILLER: <u>A. Bank</u>		CONTRACTOR'S TIME		CO'S. TIME	

CASING TESTED TO: _____ PSI. MIN. FORMATION TESTED _____ PSI. MIN. EQUIPMENT FAILURES _____
 RIG FUEL CONSUMPTION _____ GALS BOILER FUEL CONSUMPTION _____ GALS WIRELINE TON MILE _____ TOOL PUSHER: h. Luce

BIL OIL OF CANADA, LTD.

DATE APR 15/65

No. 13 DAILY TIME SHEET

LOGGING REPORT

No. 13

Well BIRCH

CONTRACTOR PICKER

RIG No. 10

Approved

Date 4/15/65

WORK RECORD

12 - 8 TOUR

FROM TO FOOTAGE HRS. SIZE

Tour 1 Midnite to 8 A.M. Hrs.

4 Hrs SERVICE

DRILLED 1046 1146 98 9 1/2 8 7/8

DRILLER F. KENNEDY 12

REAMED

DERRICK M. COLEMAN 12

CORED

MOTORMAN L. HUNTER 12

SAVED SUB PUMP UP 3 DRINK COLLARS

TALLY

BIT RECORD

1 TO BOTTOM

No.	LENGTH	BIT No.	SIZE
6	554.92	4	5"
2	61.55		8 7/8 5 7/8
17	500.34		MAKE REED REED
			TYPE 4HWG 4HWG
			SERIAL E34136 E04132
			JET SIZE Con Con
			FROM 964 1075
			TO 1075 1146
			FOOTAGE 111 71
			HRS. 11 6 1/4
			COND. 331 Rnd

REMARKS AND INJURIES:

CONTRACTOR'S TIME

CO'S TIME

RAT HOLE TOP

8 - 4 TOUR

FROM TO FOOTAGE HRS. SIZE

Tour 2 8 A.M. to 4 P.M. Hrs.

64-1163-3981 GTS 5 mins

FT FLOOR 30 MIN ISI T.O

5-1.00 mins RLC 120 FT

1 HP 60 1 SIP 80

1 HP 60 1 SIP 60

TALLY

BIT RECORD

No.	LENGTH	BIT No.	SIZE
			TRAVERSED
			MAKE
			TYPE
			SERIAL
			JET SIZE
			FROM
			TO
			FOOTAGE
			HRS.
			COND.

REMARKS AND INJURIES:

CONTRACTOR'S TIME

CO'S TIME

RAT HOLE TOP

4 - 12 TOUR

FROM TO FOOTAGE HRS. SIZE

Tour 3 4 P.M. to Midnite Hrs.

Hole

+

DRILLED 1146 1221 75 5 8 7/8

DRILLER G. BARNHURST 12

REAMED

DERRICK W. RINAS 12

CORED

MOTORMAN P. PHOENIX 12

PICKER & TAIL P.P.

PICKER

ING HEAD & TESTING DST #2.

PICKER

PICKER

PICKER

CLEAN 6' TO BOTTOM

Hole

TALLY

BIT RECORD

No.	LENGTH	BIT No.	SIZE
6	554.92	5	6"
1	31.33		8 7/8 8 7/8
20	598.27		MAKE REED HTC
			TYPE 4HW6 WTR
			SERIAL E04132 70118
			JET SIZE Con Con
			FROM 1075 1163
			TO 1163 1221
			FOOTAGE 98 58
			HRS. 7 3/4 5 1/2
			COND. 2-2-1 DRY

REMARKS AND INJURIES:

CONTRACTOR'S TIME

CO'S TIME

RAT HOLE TOP

MIN. EQUIPMENT FAILURES

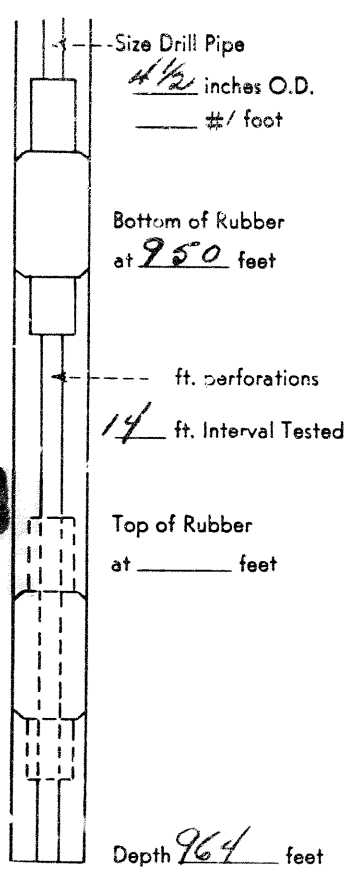
TIME LOST

TON MILE TOOL PUSHER: Pickering

APPROVED: M. Coleman

CALGARY OFFICE

WELL SMWM BIRCH YT B-34 TEST No. ONE



Laid Down	
Down on Kelly	25'
	62.60
	31.30
Total Picked Up Test Tool	47.71'
	93.20
Total	
Picked Up	
Laid Down	
Feet up on bottom	

Type Test Tool Bottom Hole

CONVENTIONAL.

Type and Size of Packers Two 7 1/2"

BOB TAIL.

Jars NO

WELL SMWM

TESTING COMPANY

HOLE DATA:

9 5/8 " casing to 594

8 5/8 " hole to 964

" hole from

MUD: Viscosity 5

TEST DATA:

Started in 09.45

On bottom 11.35

Tool open 11.35

Gas to surface NO

Mud level dropped? N

PIPE RECOVERY. 20

Mud

Oil

SAMPLE DATA:

Gas Sampled _____ at _____ psi. container pressure

Oil sample taken _____ ft. and _____ ft. above packer

Water sample taken 20 ft. above packer YES

Disposal of samples _____

GAS FLOW:

Time F.I.F. / W.I.A.B. Riser O.D. _____

REMARKS:

FAIR INITIAL PUFF.

WEAK AIR BLOW THROUGH out Test.

PRESSURES:

FBHP from 30 psi.

SIBHP from 90 psi.

Hydrostatic head 400

SOCONY MOBIL OIL OF CANADA, LTD.
 DRILL STEM TEST REPORT

3-37

No. ONE

WELL SMWM BIRCH XT B-34 DATE APRIL 14 1965

TESTING COMPANY JOHNSTON TESTERS OPERATOR SCHIFFELMAIER

HOLE DATA:

9 5/8 " casing to 599 K.B. ft.
8 5/8 " hole to 964 ft.

Interval tested 950 ft. to 964 ft.

Formation tested ALDER

" hole from _____ ft. to _____ ft.

Formation top 955 ft.

MUD: Viscosity 53 secs. Weight 8.6 lbs./gal. W/L 8.6 cc/30 min.

TEST DATA:

Started in 09:45 (A.M.)

Oil to surface _____

On bottom ~~10:35~~ 11:05 (P.M.)

Shut in 12:35

Tool open 11:35

Pulled Loose 14:35

Gas to surface NO

Out of hole 15:30

Mud level dropped? NO FT.

PIPE RECOVERY. 20 FT WATER CUT MUD.

Mud _____ Water _____ p.p.m. NaCl

Oil _____ Gravity _____ °API at 60°F Shake out

GAS FLOW:

Time	Riser O.D. (ins.)	Side Pressure (psi.)	Pilot Differential (Inches Hg/H ₂ O)	Flow Rate (MCF/day)
<u>F.I.P. / W.I.B.</u>				<u>T. stem.</u>

PRESSURES:

FBHP from 30 psi. to 35 psi.

SIBHP from 90 psi. to 90 psi.

Hydrostatic head 400 psi. 400 Choke size _____ ins. 1/8"

McMahon
 Engineer Bohannon T.P.

BIL OIL OF CANADA, LTD.

DATE APRIL 14, 65

No. 12 DAILY TIME SHEET

LOGGING REPORT

No. 12

Well BIECH

CONTRACTOR PARKER

RIG No. 10

Approved

Date 4/14/65

WORK RECORD

12 - 8 TOUR

FROM TO FOOTAGE HRS. SIZE

Tour 1 Midnite to 8 A.M. Hrs.

1 CORE
SERV BEL & STAIN DOWN
BIT
KATHINE TO 8 3/8

DRILLED
REAMED 944 964 20 1 1/2 8 3/8
CORED 948 964 16 4 1/2 6 3/8

DRILLER F. KREMP 12
DERRICK M. O'BRIEN 12
MOTORMAN W. HOUGHAN 12
FLOORMAN W. RYKS 12
FLOORMAN V. HACHEY 12
FIREMAN

TALLY BIT RECORD

No. LENGTH BIT No. 2 3
5 STANDS 461.48 SIZE 6 3/8 8 3/8
2 SINGLE 62.17 MAKE CHURCH REED
14 D.C.'s 715.65 TYPE 4HWG
SERIAL EC1506 234536 (PR)
JET SIZE
FROM 644 644
TO 664 664
FOOTAGE 20 20
KELLY IN 25'
TOTAL HRS. 7 1/2 1 1/2
COND. 6000 1-1-1

REMARKS AND INJURIES:

UP PACKER
PACKER
TESTING

FROM 750 TO 964

64 Rec 20'

CONTRACTOR'S TIME

CO's. TIME

RAT HOLE TOP

8 - 4 TOUR

FROM TO FOOTAGE HRS. SIZE

Tour 2 8 A.M. to 4 P.M. Hrs.

950-964 - 30 min 1st
0 min 50 120 min
PUFF LEAK AIR BLOW THROUGH
REC 20' WATER

DRILLED
REAMED
CORED

DRILLER S. Watson 12
DERRICK G. Gilbertson 12
MOTORMAN J. Wallace 8
FLOORMAN H. Hrushchuk 12
FLOORMAN JOE PAUL 12
FIREMAN

TALLY BIT RECORD

No. LENGTH BIT No.
STANDS SIZE
SINGLE MAKE
D.C.'s TYPE
SERIAL
JET SIZE
FROM
TO
KELLY IN FOOTAGE
TOTAL HRS.
COND.

REMARKS AND INJURIES:

1st 90 1F 30
FSI 90 FF 35

CONTRACTOR'S TIME

CO's. TIME

RAT HOLE TOP

4 - 12 TOUR

FROM TO FOOTAGE HRS. SIZE

Tour 3 4 P.M. to Midnite Hrs.

PACKER
PACKER
TON REAMER - TRIP IN W/ BIT.
to Bottom
Hole

DRILLED 964 1048 84 7 3/4 8 3/8
REAMED
CORED

DRILLER G. BARNHURST 12
DERRICK W. RINAS 12
MOTORMAN P. PAWELICH 12
FLOORMAN J. FREY 12
FLOORMAN D. HEBNER 12
FIREMAN J. BURRELL 12

TALLY BIT RECORD

No. LENGTH BIT No. 4
6 STANDS 554.92 SIZE 8 3/8
2 SINGLE 61.22 MAKE REED
14 D.C.'s 912.36 TYPE 4HWG
SERIAL E34536
1 REAMER 5.20 JET SIZE COU
FROM 964
TO 1048
FOOTAGE 84
KELLY IN 14.00 HRS. 7 3/4
TOTAL 1048 COND. R.N.

REMARKS AND INJURIES:

CONTRACTOR'S TIME

CO's. TIME

RAT HOLE TOP

MIN. EQUIPMENT FAILURES

TIME LOST

TON MILE

COOL PUSHER:

[Signature]

APPROVED:

[Signature]

CALGARY OFFICE

SOCONY MOBIL OIL OF CANADA, LTD.

DAILY DRILLING REPORT

FIELD or AREA: EGLE PLAINS WELL NAME & No. BIRCH #1 CONTRACTOR PATHE

TIME	MUD RECORD				BIT WT. M	TABLE		PUMP		DEVIATION		START	STOP	HRS.	WORK RECORD	12-8 TOUR
	WT.	VISC.	W.L.	F.C.		RPM	SPM	PRESS	DEPTH	DEG.						
2 A.M.												12 ⁰⁰	10 ¹⁵	10 ^{1/4}	WAITING ON GEOLOGIST DRLG 8 3/8 HOLE	
4 A.M.												10 ¹⁵	12 ⁰⁰	1 1/4		
6 A.M.																
8 A.M.																
LINER SIZE: <u>6 1/2</u> STROKE <u>16</u> MUD & CHEMICALS LBS. Added: KIND:																

TIME	MUD RECORD				BIT WT. M	TABLE		PUMP		DEVIATION		START	STOP	HRS.	WORK RECORD	8-4 TOUR
	WT.	VISC.	W.L.	F.C.		RPM	SPM	PRESS	DEPTH	DEG.						
10 A.M.																
NOON																
2 P.M.																
4 P.M.																
LINER SIZE: STROKE MUD & CHEMICALS LBS. Added: KIND:																
Board tally 944.64 Strap tally 943.65 No Cor.																

TIME	MUD RECORD				BIT WT. M	TABLE		PUMP		DEVIATION		START	STOP	HRS.	WORK RECORD	4-12 TOUR
	WT.	VISC.	W.L.	F.C.		RPM	SPM	PRESS	DEPTH	DEG.						
6 P.M.	7.5	45	9.0		15	100	65	650				12 ⁰⁰	12 ¹⁵	1/4	RIG SERVICE + CDRSE HYDRO DRILL 8 7/8" HOLE. CIRC. & MIX MUD TO CORE TRIP INTO Csg. HOLE TIGHT. CIRC. & COND. HOLE TO CORE. TRIP OUT STAMP PIPE. PICK UP CORE BBL. & MUD L. BIT TRIP IN CIRC. CORE BBL. CUTTING CORE #1	
8 P.M.												12 ¹⁵	2 ⁴⁵	2 1/2		
10 P.M.												2 ⁴⁵	4 ³⁰	2 1/4		
12 P.M.	8.5	50	8.8		9	66	94	400				6 ⁴⁵	7 ¹⁵	1/2		
LINER SIZE: <u>6 7/8</u> STROKE <u>16</u> MUD & CHEMICALS LBS. Added: KIND: LBS. ON HAND																
	150	16	CELLET									8 ⁰⁰	8 ¹⁵	1/2		
	2500		GEL									8 ¹⁵	8 ⁴⁵	1/2		
	400		CELLET									8 ⁴⁵	9 ¹⁵	1/2		
	150		SOLTEX									9 ¹⁵	11 ⁰⁰	2 1/4		
	250		CELLET													
	150		CRUSTIC													

CASING TESTED TO: PSI. MIN. FORMATION TESTED PSI. MIN. EQUIPMENT FAILURES

RIG FUEL CONSUMPTION GALS BOILER FUEL CONSUMPTION GALS WIRELINE TON MILE TOOL PUSHER: Huber

BOIL OIL OF CANADA, LTD.

DATE APRIL 13, 65

No. 11 DAILY TIME SHEET

DRILLING REPORT

No. 11

Well BIRCH

CONTRACTOR PARKER

RIG No. 10

Approved

Date 4/13/65

WORK RECORD

12 - 8 TOUR

FROM TO FOOTAGE HRS. SIZE Tour 1 Midnite to 8 A.M. Hrs.

GEOLOGIST
HOLE

DRILLED 733 825 92 17 8 3/8
REAMED
CORED

DRILLER F. KREMP 12
DERRICK M. O'BRIEN 12
MOTORMAN L. HOUAHANAN 12
FLOORMAN W. RYKS 12
FLOORMAN U. HACHEY 12
FIREMAN

TALLY

BIT RECORD

No. LENGTH BIT No. 1
4 STANDS 365.92 SIZE 8 3/8
SINGLE MAKE H.T.C.
14 D.C.'s 415.65 TYPE CSC
SERIAL 42098
JET SIZE CON
FROM 635
TO 825
KELLY IN 41 FOOTAGE 174
TOTAL 825 HRS. 44
COND.

REMARKS AND INJURIES:

CONTRACTOR'S TIME

CO'S TIME

RAT HOLE TOP

8 - 4 TOUR

FROM TO FOOTAGE HRS. SIZE Tour 2 8 A.M. to 4 P.M. Hrs.

DRILLED
REAMED
CORED

DRILLER S. Watson 12
DERRICK G. Gilbertson 12
MOTORMAN J. Vallance 12
FLOORMAN M. Hineschuk 12
FLOORMAN
FIREMAN

TALLY

BIT RECORD

No. LENGTH BIT No.
STANDS
SINGLE
D.C.'s
KELLY IN
TOTAL
RAT HOLE TOP

TRAVEL -> JOE PAUL B
CAMP ATTEND.

REMARKS AND INJURIES:

944.64
943.65

CONTRACTOR'S TIME

CO'S TIME

RAT HOLE TOP

4 - 12 TOUR

FROM TO FOOTAGE HRS. SIZE Tour 3 4 P.M. to Midnite Hrs.

+ CIDSE Hydro
Hole.
Hole To CORE
2 1/2" Hole Tight.
Hole To CORE.
Trap Pipe.
Hole Bbl. -> MAKE UP Bit
Bbl.
Hole #1

DRILLED 825 944 119 2 1/2 8 3/8
REAMED
CORED 944 998 4 2 3/4

DRILLER Gregory Dornier 12
DERRICK W. W. DAVIS 12
MOTORMAN P. P. DORRIS 12
FLOORMAN J. FREY 12
FLOORMAN D. HEISNER 12
FIREMAN J. BURRELL 12

TALLY

BIT RECORD

No. LENGTH BIT No. 1 2
5 STANDS 461.96 SIZE 8 3/8 6 7/8
SINGLE 3057 MAKE H.T.C. CHAND
D.C.'s 415.65 TYPE CSC D
SERIAL 42098 401506
JET SIZE CON
FROM 635 944
TO 914 948
KELLY IN 36.02 FOOTAGE 310 4
TOTAL 199 HRS. 6 3/4 2 3/4
COND. 1-21 CORRUPT

REMARKS AND INJURIES:

MIN. EQUIPMENT FAILURES

TIME LOST

TON MILE TOOL PUSHER: Burrell

APPROVED: M. S. Graham

CALGARY OFFICE

SOCONY MOBIL OIL OF CANADA, LTD.

CORE REPORT

CONTRACTOR PARKER DRILLING Co.

AREA Eagle Plains

LOCATION BIRCH #1

THIS SECTION TO BE FILLED AT THE WELL

DATE	CORE NO.	DEPTH CORED		FOOTAGE CORED	TIME			% RECO. VERY	CORE BIT				BARREL		PUMP		TABLE RPM	FOOTAGE CORED	HRS CORING
		FROM	TO		START	STOP	AIR PRESS		NO.	MAKE	SIZE	TYPE	SER. NO.	TYPE	NO.	SFM			
April 1		944	945	1	9:22	10:14	52		Christ	6 1/8	FC1505								
		945	946	2	10:14	10:54	40												
		946	947	3	10:54	11:22	30												
		947	948	4	11:22	11:43	21												
		948	949	5	11:43	12:11	28												
		949	950	6	12:11	12:32	21												
		950	951	7	12:32	1:00	28												
		951	952	8	1:00	1:28	28												
		952	953	9	1:28	1:58	30												
		953	954	10	1:58	2:28	30												
		954	955	11	2:28	2:57	23												
		955	956	12	2:57	3:26	5												
		956	957	13	3:26	3:51	5												
		957	958	14	3:51	4:11	10												
		958	959	15	4:11	4:17	6												
		959	960	16	4:17	4:31	14												
		960	961	17	4:31	4:50	19												
		961	962	18	4:50	5:01	11												
		962	963	19	5:01	5:15	14												
		963	964	20	5:15	5:30	15		Christ	6 1/8	FC1505								

DISTRIBUTION: WHITE - TO CALGARY OFFICE; YELLOW - TO FIELD OFFICE

CORE REPORT

WELL NAME & NO. _____

LOCATION BIRCH #1 WELL NAME & NO. BIRCH #1 B-8
 THIS SECTION TO BE FILLED AT THE FIELD OFFICE

SER. NO.	BARREL		PUMP		TABLE RPM	ACCUMULATED				FORMATION CORED	REMARKS	THIS COLUMN TO BE FILLED FOR & SENT TO THE ACCOUNTING DEPT.	
	TYPE	NO.	SPM	PRESS		FOOTAGE CORED	HRS. CORING	TOTAL FOOTAGE CORED TO DATE	TOTAL HRS. CORED TO DATE				
1505	wt							9	3 1/4	Dolomite & shale	Used on W. Parkin DSI		
	4"	44	350	66									
	6"	44	400	66									
	8"	44	400	66									
	9"	44	400	66									
	9"	44	400	66									
	9"	44	425	66									
	9"	44	450	66									
	9"	44	450	66									
	9"	44	450	66									
	9"	44	450	66									
	9"	44	450	66									
	9"	44	500	66									
	9"	44	500	66									
	9"	44	500	66									
	9"	44	500	66									
1505	9"	44	500	66				29'	10 1/2	Sand shale conglomerate			

SERIAL NO. OF BITS
 FOOTAGE CORED AT THIS WELL
 ACCUMULATED FOOTAGE TO DATE
 SERIAL NO. OF CORE BARREL USED
 ACCUMULATED FOOTAGE CORED PER BARREL
 REMARKS:

MAGNET USED _____ DAYS
 COMPANY OWNED _____ DAYS
 CONTRACTORS _____ DAYS

SOCONY MOBIL OIL OF CANADA, LTD.

DAILY DRILLING REPORT

FIELD or AREA: Eagle Plains WELL NAME & No. BIRCH CONTRACTOR PALMER

TIME	MUD RECORD				BIT WT. M	TABLE RPM	PUMP		DEVIATION		START	STOP	HRS.	WORK RECORD	12-8 TOUR
	WT.	VISC.	W.L.	F.C.			SPM	PRESS	DEPTH	DEG.					
											1200	1230	1/2	WORK ON HYDRIL LINES	
2 A.M.											1230	1400	1/2	CHANGE CIL IN DRAW TABLE	
4 A.M.											100	400	3	REDRILL MUDSE PIPE W/ TONGS	
6 A.M.											400	445	3/4	TRIP IN	
8 A.M.											445	515	1/2	PRESSURE TEST PIPE RAINS 1200 PSI. HEAD OK	
											515	545	1/2	PRESSURE TEST HYDRIL 1200 PSI. HEAD OK	
	LINER SIZE:				STROKE									DRILL CUT PLUG CEMENT - 1 SACK - 1 CLEAN FRONT	
	LBS. Added:				MUD & CHEMICALS									600' TO 635'	
											930	1000	3/4	PRESSURE TEST FORMATION & CHECK MOTOR SHUT OFF	
											1000	1030	1/2	DISPLACE HOLE TO CLEAN WATER	
											1030	1200	1 1/2	TRIP PICK UP SQUAND CILM	

TIME	MUD RECORD				BIT WT. M	TABLE RPM	PUMP		DEVIATION		START	STOP	HRS.	WORK RECORD	8-4 TOUR
	WT.	VISC.	W.L.	F.C.			SPM	PRESS	DEPTH	DEG.					
10 A.M.														PRESSURE TESTS	
NOON														BRIND RAINS 1200 PSI - OK	
2 P.M.														4 1/2 RAINS 1200 PSI - OK	
4 P.M.														HYDRIL & ALL BOP VALVE SEPARATELY 1200 PSI - OK	
														FORMATION TO 280 PSI. - OK	
	LINER SIZE:				STROKE									CHECKED MOTOR SHUT OFF OK	
	LBS. Added:				MUD & CHEMICALS									ESCAPE LINE OK	
														BRAKES & DRAG LINE OK	
														BREATHING OPERATIVES OK	

TIME	MUD RECORD				BIT WT. M	TABLE RPM	PUMP		DEVIATION		START	STOP	HRS.	WORK RECORD	4-12 TOUR
	WT.	VISC.	W.L.	F.C.			SPM	PRESS	DEPTH	DEG.					
6 P.M.					15	70					1200	730	3/4	WAITING ON Geologist	
8 P.M.											330	915	3/4	REPAIR TO TOO REEBURGER LINE.	
10 P.M.											915	515	1	DRILL 8 7/8" HOLE	
12 P.M.											515	530	1/4	REPAIR UNIONS ON STEEL PIPE	
											530	700	1 1/2	DRILL 8 7/8" HOLE	
	LINER SIZE: 6 1/2				STROKE									WAITING ON Geologist	
	LBS. Added:				MUD & CHEMICALS		LBS.		ON HAND						

CASING TESTED TO: _____ PSI. MIN. FORMATION TESTED _____ PSI. MIN. EQ PMENT FAILURES _____
 RIG FUEL CONSUMPTION _____ GAL BOILER FUEL CONSUMPTION _____ GAL WIRELINE TON MILE _____ TOOL PUSHER: 120000

MOBIL OIL OF CANADA, LTD.

DATE APRIL 12 65

No. TO DAILY TIME SHEET 335

DRILLING REPORT

No. 10

Well BIRCH

CONTRACTOR PARKER

RIG No. 10

Approved

Date 4/12/65

WORK RECORD

12 - 8 TOUR

PIPE LINES
IN DRUM 4 THIRDS
USE PIPE W/ TONGS
PIPE DENIS 1200 PSI. HELD OK.
ST HYDRIL 1200 PSI. HELD OK.
NO CEMENT - 1 SHALY & CLEAN FOOT
FORMATION - CHECK MOTOR SWITCH
TO CLEAN WATER
SQUARE CEMENT

DRILLED	TO	FOOTAGE	HRS.	SIZE
REAMED				
CORED				
TALLY		BIT RECORD		
No.	LENGTH	BIT No.		
STANDS		SIZE		
SINGLE		MAKE		
D.C.'s		TYPE		
		SERIAL		
		JET SIZE		
		FROM		
		TO		
KELLY IN		FOOTAGE		
TOTAL		HRS.		
RATHOLE TOP		COND.		

Tour 1	Midnite to 8 A.M.	Hrs.
DRILLER	<u>F. KENNEDY</u>	<u>12</u>
DERRICK	<u>M. O'BRIEN</u>	<u>12</u>
MOTORMAN	<u>L. HOGAN</u>	<u>12</u>
FLOORMAN	<u>W. RYAN</u>	<u>12</u>
FLOORMAN	<u>V. WATSON</u>	<u>12</u>
FIREMAN		

REMARKS AND INJURIES:

CONTRACTOR'S TIME

CO'S. TIME

RATHOLE TOP

8 - 4 TOUR

1200 PSI - 15 MINS. OK
1200 PSI - 15 MINS. D.K.
ALL BOP VALVES SEPARATELY
1200 PSI - 15 MINS. OK.
TO 280 PSI. - OK.

DRILLED	TO	FOOTAGE	HRS.	SIZE
REAMED				
CORED				
TALLY		BIT RECORD		
No.	LENGTH	BIT No.		
STANDS		SIZE		
SINGLE		MAKE		
D.C.'s		TYPE		
		SERIAL		
		JET SIZE		
		FROM		
		TO		
KELLY IN		FOOTAGE		
TOTAL		HRS.		
RATHOLE TOP		COND.		

Tour 2	8 A.M. to 4 P.M.	Hrs.
DRILLER	<u>S. WATSON</u>	<u>12</u>
DERRICK	<u>G. GILBERTSON</u>	<u>12</u>
MOTORMAN	<u>J. WALLACE</u>	<u>12</u>
FLOORMAN	<u>H. Hrushchak</u>	<u>12</u>
FLOORMAN		
FIREMAN		

Trouble. Le Paul 8
O.D.

REMARKS AND INJURIES:

CONTRACTOR'S TIME

CO'S. TIME

RATHOLE TOP

4 - 12 TOUR

Geologist
to RECOVER LINE.
Hole
ON STAND PIPE.
Hole
Geologist

DRILLED	FROM	TO	FOOTAGE	HRS.	SIZE
REAMED	<u>635</u>	<u>733</u>	<u>78</u>	<u>2 1/2</u>	<u>3 7/8</u>
CORED					
TALLY		BIT RECORD			
No.	LENGTH	BIT No.			
STANDS	<u>275.80</u>	SIZE	<u>8 3/8</u>		
SINGLE		MAKE	<u>HIC.</u>		
D.C.'s	<u>115.65</u>	TYPE	<u>OSC</u>		
		SERIAL	<u>42098</u>		
		JET SIZE	<u>200</u>		
		FROM	<u>605</u>		
		TO	<u>733</u>		
KELLY IN	<u>41.50</u>	FOOTAGE	<u>78</u>		
TOTAL	<u>733</u>	HRS.	<u>2 1/2</u>		
RATHOLE TOP		COND.	<u>HTW</u>		

Tour 3	4 P.M. to Midnite	Hrs.
DRILLER	<u>G. BARHURST</u>	<u>12</u>
DERRICK	<u>W. RYAN</u>	<u>12</u>
MOTORMAN	<u>P. PAUENEC</u>	<u>12</u>
FLOORMAN	<u>J. FREY</u>	<u>12</u>
FLOORMAN	<u>D. HEBNER</u>	<u>12</u>
FIREMAN	<u>J. BURRILL</u>	<u>12</u>

REMARKS AND INJURIES:

CONTRACTOR'S TIME

CO'S. TIME

RATHOLE TOP

MIN. EQ. PMENT FAILURES

TIME LOST

TON MILE

TOOL PUSHER: M. WILSON

APPROVED: J.M. Graham

CALGARY OFFICE

SOCONY MOBIL OIL OF CANADA, LTD.

DAILY DRILLING REPORT

FIELD or AREA: EAGLE PLAINS

WELL NAME & No. BIRCH #1

CONTRACTOR PARKER

TIME	MUD RECORD				BIT WT. M	TABLE RPM	PUMP		DEVIATION		START	STOP	HRS.	WORK RECORD	12-8 TOUR			
	WT.	VISC.	W.L.	F.C.			SPM	PRESS	DEPTH	DEG.								
2 A.M.											12 ⁰⁰	9 ⁰⁰	9	WOC. Cut off casing & start on casing bowl.				
4 A.M.											9 ⁰⁰	12 ⁰⁰	3					
6 A.M.																		
8 A.M.																		
LINER SIZE: _____ STROKE _____											MUD & CHEMICALS							
LBS. Added:		KIND _____									BOP Tested		DRILLER:		CONTRACTOR'S TIME		CO's TIME	
TIME	MUD RECORD				BIT WT. M	TABLE RPM	PUMP		DEVIATION		START	STOP	HRS.	WORK RECORD	8-4 TOUR			
	WT.	VISC.	W.L.	F.C.			SPM	PRESS	DEPTH	DEG.								
10 A.M.														9 3/8 RAN 20 JTS 36# J55 - 8 RT. AGE 2 - JAPANESE CASING THTLY 603-40 LAID @ 600' KB. BAKER GUIDE SHOE + BAKER BATTLE COLLAR - 3 CENT. @ 545-540 - SIO CEMENTED W/ 235 SALS AA FUDGE CONST CEMENT + 3 1/2 PALS @ 840 / 100 APRIL 10/65				
NOON																		
2 P.M.																		
4 P.M.																		
LINER SIZE: _____ STROKE _____											MUD & CHEMICALS							
LBS. Added:		KIND _____									BOP Tested		DRILLER:		CONTRACTOR'S TIME		CO's TIME	
TIME	MUD RECORD				BIT WT. M	TABLE RPM	PUMP		DEVIATION		START	STOP	HRS.	WORK RECORD	4-12 TOUR			
	WT.	VISC.	W.L.	F.C.			SPM	PRESS	DEPTH	DEG.								
6 P.M.											12 ⁰⁰	3 ⁰⁰	3	WAITING ON CSG BOWL. 1/2 WELD ON CSG BOWL. NIPPLE UP B.O.P. PRESSURE TEST BLIND RIMS TO 1200 PSI FOR 15 MIN. KILL OK.				
8 P.M.											3 ⁰⁰	4 ³⁰	1 1/2					
10 P.M.											4 ³⁰	11 ³⁰	7					
12 P.M.											11 ³⁰	12 ⁰⁰	1 1/2					
LINER SIZE: _____ STROKE _____											MUD & CHEMICALS							
LBS. Added:		KIND _____		LBS. _____		ON HAND _____		BOP Tested		DRILLER: <u>A. Baird</u>		CONTRACTOR'S TIME		CO's TIME				

CASING TESTED TO: _____ PSI. MIN. FORMATION TESTED _____ PSI. MIN. EQUIPMENT FAILURES _____

RIG FUEL CONSUMPTION _____ GALS BOILER FUEL CONSUMPTION _____ GALS WIRELINE TON MILE _____ TOOL PUSHER: Whitcomb

OBIL OIL OF CANADA, LTD.

DATE APRIL 11, 1965

No. 9 DAILY TIME SHEET

3-35

ILLING REPORT

No. 9

Well BIRCH

CONTRACTOR PARKER

RIG No. 10

Approved

Date 4/11/65

WORK RECORD

12 - 8 TOUR

ing a wait on casing bowl

	FROM	TO	FOOTAGE	HRS.	SIZE
DRILLED	600	12 1/2 TD			
REAMED	635	238 TD			
CORED					

TALLY

BIT RECORD

No.	LENGTH	BIT No.
STANDS		SIZE
SINGLE		MAKE
D.C.'s		TYPE
		SERIAL
		JET SIZE
		FROM
		TO
KELLY IN		FOOTAGE
TOTAL		HRS.
RAT HOLE TOP		COND.

Tour 1	Midnite to 8 A.M.	Hrs.
DRILLER	F. KREMP	12
DERRICK	M. O'BRIEN	12
MOTORMAN	L. HOULAHAN	12
FLOORMAN	W. RYKS	12
FLOORMAN	V. HACHEY	12
FIREMAN		

REMARKS AND INJURIES

CONTRACTOR'S TIME

CO's. TIME

8 - 4 TOUR

FROM	TO	FOOTAGE	HRS.	SIZE
------	----	---------	------	------

36# JS5 - 8RT. RGE2 - JAPANESE
 603-80 LANDED @ 600' KB.
 SHOE + BAKKIE BATTLE COLLAR - 3
 540 - 510 CEMENTED w/ 2355 SAs
 SF CEMENT + 3 1/2 Pal. @ 840 lbs

TALLY

BIT RECORD

No.	LENGTH	BIT No.
STANDS		SIZE
SINGLE		MAKE
D.C.'s		TYPE
		SERIAL
		JET SIZE
		FROM
		TO
KELLY IN		FOOTAGE
TOTAL		HRS.
RAT HOLE TOP		COND.

Tour 2	8 A.M. to 4 P.M.	Hrs.
DRILLER	S. Watson	12
DERRICK	G. Gilbertson	12
MOTORMAN	J. Vallance	12
FLOORMAN	H. Houshelink	12
FLOORMAN		
FIREMAN		

REMARKS AND INJURIES:

CONTRACTOR'S TIME

CO's. TIME

4 - 12 TOUR

FROM	TO	FOOTAGE	HRS.	SIZE
------	----	---------	------	------

Csg Bowl.
 59 Bowl
 B.O.P.
 4 Buid Rams To 1200 PSI
 W. KELD OK.

TALLY

BIT RECORD

No.	LENGTH	BIT No.
STANDS		SIZE
SINGLE		MAKE
D.C.'s		TYPE
		SERIAL
		JET SIZE
		FROM
		TO
KELLY IN		FOOTAGE
TOTAL		HRS.
RAT HOLE TOP		COND.

Tour 3	4 P.M. to Midnite	Hrs.
DRILLER	G. BIRNHAUS	12
DERRICK	W. RYKS	12
MOTORMAN	P. PAUERICH	12
FLOORMAN	J. FLEY	12
FLOORMAN	D. HEINER	12
FIREMAN	J. BURRELL	12

REMARKS AND INJURIES:

CONTRACTOR'S TIME

CO's. TIME

MIN. EQUIPMENT FAILURES

TIME LOST

TON MILE

TOOL PUSHER: R. P. ...

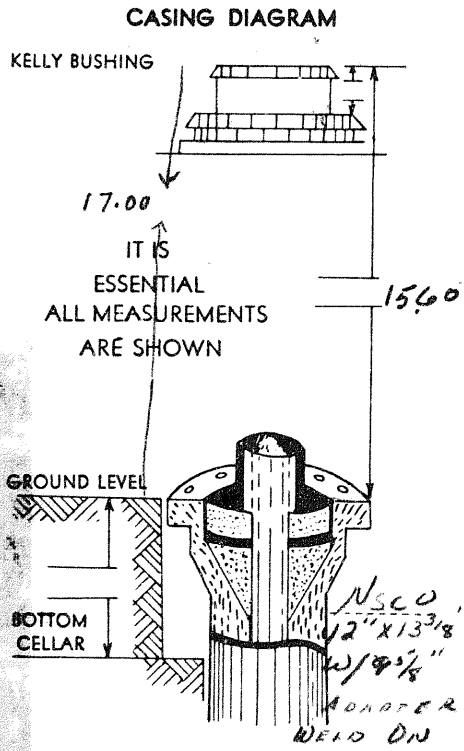
APPROVED: M. ...

CALGARY OFFICE

SOCONY MOBIL OIL OF CANADA, LTD.

Name of Well S. 14 W. 14. BIRCH #1

Contractor PARK



SIZE OD	TYPE	WT. Lbs./ft.	GRADE	RGE	THDS. PER IN.	MAKE	No. OF JOINTS	AMOUNT IN FEET
9 5/8		36	J.55	2	8		20	603 80
Length of Landing Joint							(add)	
Total Amount of Casing Used								603 80
Feet Up On Landing Joint (KB)							(subt.)	4 80
Depth of Shoe Below Top of Kelly Bushing								599 00
Distance of K.B. to Surface Csg flange								15.60

CEMENT:

Make LA FARGE

Type CONSTRUCTION

No. Sacks 235

Slurry Type				
	3% CALCE			
Slurry Weight	14.0	14.5	14.8	15.0

Service Company DOWELL Operator M BOOIE

PLUGS: Types and Positions 5 WIPER TOP & BOTTOM

Make and Type of Casing Shoe BAKER GUIDE 1.40 Length

Make and Type of Collar BAKER BAFFLE 1.68 Length

Shoe Welded On? (Yes or No) YES

Collar Welded On? (Yes or No) YES

No. of Joints Welded 3

Neutralizers (Type and Depth) 585, 540 & 510

Scratchers (Type and Depth) NONE

TOTAL DEPTH: by Driller 600. KB

by Electric Log - KB

by Casing - 599 KB

TIME:

Started Rigging to Run Casing 2:30 P.M.

Casing Started in Hole 3:30 P.M.

Casing All In 6:00 P.M.

Started Circulating 6:15 P.M.

Stopped Circulating 7:45 P.M.

Started Cementing 8:05 P.M.

Cement in Pipe 8:25 P.M.

Plug Started 8:30 P.M.

Plug on Bottom 8:40 P.M.

Actual Pumping Time to Land Plug 10 min.

PRESSURE: 40# AIR Break Circulation

60# " Circulating

" Final Pumping

1000 Bumped Plug

750 Left on Casing

Hole Size 12 1/4 MUD CONDITIONS:

WT. AIR. W/L VISC

F.C. PH

Caliper Survey Results NIL

Temperature Survey Results NIL

Pressure Test Results 1200 PSI 15 MINS

ON ALL BOP VALVES OK.

Toolpusher R. R. R.

CASING LANDED: Time 9:15 P.M. APRIL 10/65

How ON BOTTOM

Top of Cement or plug in pipe 566.28 KB

Top of plug from tubing - KB

Shoe Depth 599 KB

Engineer M. Graham

REMARKS:

- DRILLED

- REAMER

- RAN

- CIRC

- PUMPE

- PUMPE

- DISPLA

- HELD

- CEMENT

	FEET	10ths	FEET	10ths
1	32	72		
2	28	57		
3	29	44		
4	32	58		
5	31	15		
6	30	85		
7	29	52		
8	30	00		
9	29	18		
10	29	73		
Sub. Total				
	603	80		

DISTRIBUTION: WHITE - CALGARY OFFICE YELLOW - FIELD OFFICE PINK - CONS

CASING REPORT

2-38

Contractor PARKER RIG #10 Date APRIL 10/65

REMARKS: Describe Cementing and Scratching process and any other conditions not shown.

OF INITS	AMOUNT IN FEET
0	603 80
add.)	603 80
subt.)	4 80
	599 00

- DRILLED 8 5/8" PILOT HOLE W/ AIR
- REAMED TO 12" 4" W/ AIR
- RAN 9 5/8" CSG IN DRY HOLE - TIGHT ON 3RD & 5TH JOINTS
- CIRC 1' FILL OUT W/ AIR.
- PUMPED 10 BBLs WATER AHEAD OF SLURRY
- PUMPED SLURRY
- DISPLACED PLUG W/ WATER W/ DOWELL TRUCK
- HELD 500' ON CSG - (BUFFLE COLLAR)
- CEMENT DROPPED FROM SURFACE MIXED 3. SWS TO FILL HOLE

4.8 15.0

THREADS OFF CASING TALLY

N.B. — First joint of casing to include collar and shoe.

Total
Casing Tally

14 BODIE

230 PM
330 M
600 M
615 M
745 M
805 M
825 M
830 M
840 PM
10 min.

FEET		FEET		FEET		FEET		FEET		FEET		FEET		FEET		FEET		FEET		FEET		Total Casing Tally
10ths		10ths		10ths		10ths		10ths		10ths		10ths		10ths		10ths		10ths		10ths		
1	29	67																				
2	28	57																				
3	29	44																				
4	32	58																				
5	31	15																				
6	30	88																				
7	29	52																				
8	30	60																				
9	29	18																				
10	29	73																				
Sub. Total																						
1	29	37																				
2	31	27																				
3	29	77																				
4	30	12																				
5	31	55																				
6	29	73																				
7	32	76																				
8	27	49																				
9	30	97																				
10	28	56																				
Sub. Total																						
	603	80																				

Break Circulation

Circulating

Final Pumping

Bumped Plug

Left on Casing

TL

WIL

PSI 15 mins

OK.

SOCONY MOBIL OIL OF CANADA, LTD.

DAILY DRILLING REPORT

FIELD or AREA: EAGLE PLAINS

WELL NAME & No. BIRLA #1

CONTRACTOR PARKER

TIME	MUD RECORD				BIT WT. M	TABLE RPM	PUMP		DEVIATION		START	STOP	HRS.	WORK RECORD	12-8 TOUR
	WT.	VISC.	W.L.	F.C.			SPM	PRESS	DEPTH	DEG.					
2 A.M.											12 ⁰⁰	12 ¹⁵		1/4 RIG SERVICE 3/4 REAMING 8 3/8 BATHOLE TO 12 1/4 1 TRIP CHANGE KENNEDY'S (MEASURE 1.25) 2 REAMING 8 3/8 BATHOLE TO 12 1/4 2 CLEANING OUT FILL	
4 A.M.					10	65					12 ¹⁵	5 ⁰⁰			
6 A.M.					10	65					5 ⁰⁰	9 ⁰⁰			
8 A.M.					10	65					9 ⁰⁰	11 ³⁰			
LINER SIZE: _____ STROKE _____ MUD & CHEMICALS LBS. Added: _____ KIND: _____															

BOP Tested _____ DRILLER: <u>[Signature]</u> CONTRACTOR'S TIME _____ CO'S. TIME _____ 8-4 TOUR															
TIME	MUD RECORD				BIT WT. M	TABLE RPM	PUMP		DEVIATION		START	STOP	HRS.	WORK RECORD	8-4 TOUR
	WT.	VISC.	W.L.	F.C.			SPM	PRESS	DEPTH	DEG.					
10 A.M.															
NOON															
2 P.M.															
4 P.M.															
LINER SIZE: _____ STROKE _____ MUD & CHEMICALS LBS. Added: _____ KIND: _____															

BOP Tested _____ DRILLER: <u>[Signature]</u> CONTRACTOR'S TIME _____ CO'S. TIME _____ 4-12 TOUR															
TIME	MUD RECORD				BIT WT. M	TABLE RPM	PUMP		DEVIATION		START	STOP	HRS.	WORK RECORD	4-12 TOUR
	WT.	VISC.	W.L.	F.C.			SPM	PRESS	DEPTH	DEG.					
6 P.M.											12 ⁰⁰	12 ¹⁵		1/4 CLEANING OUT FILL 3/4 REAM 8 3/8" HOLE TO 12 1/4 1 WORK UP TO CLEAN UP HOLE. 1/2 TRIP OUT TO RUN CSQ. 5/4 RIG UP TO RUN 9 3/8" CSQ. 2 1/4 RUN 600' OF 9 3/8" CSQ. 2 LIRE CSQ. 1/2 HOBT DANCE UP & MIX LOSSIES CEMENT 1/2 DISPLACE PLUG. 3 W.D.C.	
8 P.M.											12 ¹⁵	1 ⁵⁰			
10 P.M.											1 ⁵⁰	2 ³⁰			
12 P.M.											2 ³⁰	3 ¹⁵			
											3 ¹⁵	6 ⁰⁰			
											6 ⁰⁰	8 ⁰⁰			
LINER SIZE: _____ STROKE _____ MUD & CHEMICALS LBS. Added: _____ KIND: _____ LBS. ON HAND: _____															

CASING TESTED TO: _____ PSI. MIN. FORMATION TESTED _____ PSI. MIN. EQ. PMENT FAILURES _____
 RIG FUEL CONSUMPTION _____ GALS BOILER FUEL CONSUMPTION _____ GALS WIRELINE TON MILE _____ TOOL PUSHER: [Signature]

L OIL OF CANADA, LTD.

DATE APR 10, 1965

No. 8 DAILY TIME SHEET

NG REPORT

No. 8

Well BIRCH

CONTRACTOR PARKER

RIG No. 10

Approved

Date 4/10/65

ORK RECORD

12 - 8 TOUR

FROM TO FOOTAGE HRS. SIZE

Tour 1 Midnite to 8 A.M. Hrs.

DRILLED

DRILLER F. KREMP 12

REAMED

167 5'64 397 10 1/4 12 1/4

DERRICK M. O'BRIEN 12

CORED

MOTORMAN L. HOULAHAN 12

TALLY

BIT RECORD

No. LENGTH
1 STANDS 339.42
2 SINGLE
6 D.C.'s 179.02
PERMITS 1.73
B. Sub 3.12

BIT No. 4 5
SIZE 12 1/4 12 1/4
MAKE RTED C.P.
TYPE
SERIAL 239
JET SIZE

FLOORMAN W. RYKS 12
FLOORMAN V. HICKEY 12
FIREMAN

REMARKS AND INJURIES:

KELLY IN 41
TOTAL 5'64

FOOTAGE 472 92
HRS. 13 2 1/2
COND. 111 Run!

Runs 0469 8:25 AM

CONTRACTOR'S TIME

CO's TIME

RAT HOLE TOP

8 - 4 TOUR

FROM TO FOOTAGE HRS. SIZE

Tour 2 8 A.M. to 4 P.M. Hrs.

DRILLED

DRILLER S. WATSON 12

REAMED

DERRICK B. GILBERTSON 12

CORED

MOTORMAN J. VALLANCE 12

TALLY

BIT RECORD

No. LENGTH
STANDS
SINGLE
D.C.'s

BIT No.
SIZE
MAKE
TYPE
SERIAL
JET SIZE
FROM
TO
FOOTAGE
HRS.
COND.

FLOORMAN H. HRUSHCHAK 12
FLOORMAN
FIREMAN

REMARKS AND INJURIES:

KELLY IN
TOTAL

FOOTAGE
HRS.
COND.

CONTRACTOR'S TIME

CO's TIME

RAT HOLE TOP

4 - 12 TOUR

FROM TO FOOTAGE HRS. SIZE

Tour 3 4 P.M. to Midnite Hrs.

DRILLED

DRILLER G. BRADHURST 12

REAMED

669 6'50 36 3/4 12 1/4

DERRICK W. RINAS 12

CORED

MOTORMAN P. PAULICH 12

TALLY

BIT RECORD

No. LENGTH
STANDS
SINGLE
D.C.'s

BIT No. 5
SIZE 12 1/4
MAKE C.P.
TYPE PULL
SERIAL 239
JET SIZE

FLOORMAN J. FREY 12
FLOORMAN D. HEISNER 12
FIREMAN J. BURRELL 12

REMARKS AND INJURIES:

KELLY IN
TOTAL

FOOTAGE 472 600
HRS. 3 1/4
COND.

CONTRACTOR'S TIME

CO's TIME

RAT HOLE TOP

EQUIPMENT FAILURES

TIME LOST

MILE

TOOL PUSHER: P. Ruelle

APPROVED: J. M. Graham

CALGARY OFFICE

SOCONY MOBIL OIL OF CANADA, LTD.

DAILY DRILLING REPORT

FIELD or AREA: ENGLE PLAINS WELL NAME & No. BIRCH #1

CONTRACTOR PARKER

TIME	MUD RECORD				BIT WT. M	TABLE RPM	PUMP		DEVIATION		START	STOP	HRS.	WORK RECORD	12 - 8 TOUR
	WT.	VISC.	W.L.	F.C.			SPM	PRESS	DEPTH	DEG.					
2 A.M.					4	100			240	1/8	1:45	2:00	1/4	DRILL 8 5/8" HOLE	
4 A.M.					4	100			269	1/8	2:00	2:15	1/4	SERVICE RIG SURVEY @ 240' 1/8"	
6 A.M.					6	100			299	1/8	2:15	4:15	2	DRILL 8 5/8" HOLE	
8 A.M.					12	100			327	1/8	4:30	6:30	1/4	SURVEY @ 269' 1/8"	
LINER SIZE: STROKE											6:30	6:45	1/4	DRILL 8 5/8" HOLE	
MUD & CHEMICALS											6:45	8:00	1 1/4	SURVEY @ 299' 1/8"	
LBS. Added											8:00	8:15	1/4	DRILL 8 5/8" HOLE	
KIND											8:15	9:00	3/4	SURVEY @ 327' 1/8"	
											9:00	9:15	1/4	DRILL	
											9:15	10:15	1	SURVEY @ 359' 1/8"	
											10:15	10:30	1/4	DRILL	
											10:30	12:00	1 1/2	SURVEY @ 390' 0"	
											BOP Tested		DRILLER: <u>J. Krump</u>	CONTRACTOR'S TIME	CO'S. TIME

TIME	MUD RECORD				BIT WT. M	TABLE RPM	PUMP		DEVIATION		START	STOP	HRS.	WORK RECORD	8 - 4 TOUR
	WT.	VISC.	W.L.	F.C.			SPM	PRESS	DEPTH	DEG.					
10 A.M.													Checked draw-works brakes - drilling line motor shut off - escape line & air breathing equipment - all OK. R.P.		
NOON															
2 P.M.															
4 P.M.															
LINER SIZE: STROKE											BOP Tested		DRILLER:	CONTRACTOR'S TIME	CO'S. TIME

TIME	MUD RECORD				BIT WT. M	TABLE RPM	PUMP		DEVIATION		START	STOP	HRS.	WORK RECORD	4 - 12 TOUR
	WT.	VISC.	W.L.	F.C.			SPM	PRESS	DEPTH	DEG.					
6 P.M.					12	100			452	1/8	12:15	1:30	1 1/4	SERVICE RIG + SURVEY @ 452' - 1/8"	
8 P.M.					10	100			515	1/8	1:30	1:45	1/4	DRILL 8 5/8" HOLE w/ 12,000 lbs.	
10 P.M.					10	100			578	1/8	1:45	2:30	3/8	SURVEY @ 515' - 1/8"	
12 P.M.					10	100			608	1/8	2:30	3:15	3/4	DRILL 8 5/8" HOLE w/ 10,000 lbs To 550	
LINER SIZE: STROKE											3:15	4:15	1	TRIP OUT, LAY DOWN 9 SINGLES CHANGED ORDERS	
MUD & CHEMICALS											4:15	4:30	1/4	RUN IN TO DRILL TO 550.	
LBS. Added											4:30	5:45	1 1/4	DRILL 8 5/8" HOLE w/ 10,000 lbs.	
KIND											5:45	6:00	1/4	SURVEY @ 578' - 1/8"	
											6:00	6:05	1/4	DRILL 8 5/8" HOLE w/ 10,000 lbs	
											6:05	6:15	1/4	SURVEY @ 608' - 1/8"	
											6:15	6:15	0	TRIP OUT, LAY DOWN 10 SINGLES	
											6:15	11:50	5 1/4	PICK B.T. SUB + 12 1/4 REMARK	
											BOP Tested		DRILLER: <u>A. Barber</u>	CONTRACTOR'S TIME	CO'S. TIME

CASING TESTED TO: _____ PSI. MIN. FORMATION TESTED _____ PSI. MIN. EQUIPMENT FAILURES _____
 RIG FUEL CONSUMPTION _____ GALS BOILER FUEL CONSUMPTION _____ GALS WIRELINE TON MILE _____ TOOL PUSHER: Russell

MOBIL OIL OF CANADA, LTD.

DATE APR 9, 65

No. 7 DAILY TIME SHEET

DRILLING REPORT

No. 7

Well BIRCH

CONTRACTOR PARKER

RIG No. 10

Approved

Date 4/9/65

WORK RECORD

12 - 8 TOUR

FROM TO FOOTAGE HRS. SIZE

Tour 1 Midnite to 8 A.M. Hrs.

DRILLED 226 452 356 10 1/4 8 3/8
REAMED 226
CORED

DRILLER F. KEMP 12
DERRICK W. O'Brien 12
MOTORMAN L. H. HANN 12
FLOORMAN W. NYKS 12
FLOORMAN V. HACHEY 12
FIREMAN

TALLY BIT RECORD

No. LENGTH BIT No. 3
2 STANDS 153.54 SIZE 8 3/8
SINGLE MAKE REED
8 D.C.'s 233.15 TYPE YHWG
REMARK 5.20 SERIAL F34536
JET SIZE CON
FROM 222
TO 452
KELLY IN 31.00 FOOTAGE 230
TOTAL 452 HRS. 10 3/4
COND. Run

REMARKS AND INJURIES:

CONTRACTOR'S TIME

CO'S. TIME

RAT HOLE TOP

8 - 4 TOUR

FROM TO FOOTAGE HRS. SIZE

Tour 2 8 A.M. to 4 P.M. Hrs.

DRILLED
REAMED
CORED

C DRILLER S. Watson 12
DERRICK G. Gilbertson 12
MOTORMAN J. Wallace 12
FLOORMAN H. Amshchuk 12
FIREMAN

TALLY BIT RECORD

No. LENGTH BIT No.
STANDS
SINGLE
D.C.'s
KELLY IN
TOTAL
RAT HOLE TOP

REMARKS AND INJURIES:

new work brakes - drilling line
+ 1/2" - escape line & air
equipment - all OK. R.P.

CONTRACTOR'S TIME

CO'S. TIME

RAT HOLE TOP

4 - 12 TOUR

FROM TO FOOTAGE HRS. SIZE

Tour 3 4 P.M. to Midnite Hrs.

DRILLED 452 635 183.3 14 5/8
REAMED 0 167 167 5 1/4 2 1/4
CORED

DRILLER G. BARNHART 12
DERRICK W. RINA 12
MOTORMAN P. PAULICH 12
FLOORMAN J. FRIEY 12
FLOORMAN D. HEBNER 12
FIREMAN J. BURRELL 12

TALLY BIT RECORD

No. LENGTH BIT No. 3
STANDS
SINGLE
4 D.C.'s 121.23 SIZE 8 5/8 12 1/4
REMARK 1.65 MAKE REED
1 D.P. 1.65 TYPE YHWG
SUB 3.12 SERIAL F34536
JET SIZE CON
FROM 222 0
TO 635 167
KELLY IN 41.00 FOOTAGE 413 167
TOTAL 167 HRS. 14 1/4 5 1/4
COND. 1-1-1 Return

REMARKS AND INJURIES:

SURVEY @ 452 - 1/8"
HOLE w/ 12,000 lbs.
12 - 1/4"
HOLE w/ 10,000 lbs To 550
4 Down 9 singles CHANGED ORDERS
Drill To 635.
HOLE w/ 10,000 lbs.
8 - 1/8"
HOLE w/ 10,000 lbs
8 - 1/8"
4 Down 10 singles
6 x 12 1/4 REMARK
HOLE To 12 1/4

CONTRACTOR'S TIME

CO'S. TIME

RAT HOLE TOP

MIN.

EQUIPMENT FAILURES

TIME LOST

TON MILE

TOOL PUSHER: Rumelle

APPROVED: M. Graham

CALGARY OFFICE

SOCONY MOBIL OIL OF CANADA, LTD.

DAILY DRILLING REPORT

FIELD or AREA: *EAGLE PLAINS* WELL NAME & No. *BIRCH #1* CONTRACTOR *PARKER*

TIME	MUD RECORD				BIT WT. M	TABLE		PUMP		DEVIATION		START	STOP	HRS.	WORK RECORD	TOUR
	WT.	VISC.	W.L.	F.C.		RPM	SPM	PRESS	DEPTH	DEG.						
2 A.M.										35	1/8	12:00	3:30	3 1/2	RIG FLOCK TO SPUD	12-8 TOUR
4 A.M.												11:00	11:30	7 1/2	SPUD IN 8 3/8" HOLE	
6 A.M.												11:30	12:00	1/2	CHANGE 2 BUTTON REAMER'S & BIT	
8 A.M.														1/2	DRUG 8 3/8" HOLE	
LINER SIZE: _____ STROKE _____ MUD & CHEMICALS LBS. Added: _____ KIND _____ BOP Tested _____ DRILLER: <i>F. Kemp</i> CONTRACTOR'S TIME _____ CO'S. TIME _____																
10 A.M.																8-4 TOUR
NOON																
2 P.M.																
4 P.M.																
LINER SIZE: _____ STROKE _____ MUD & CHEMICALS LBS. Added: _____ KIND _____ BOP Tested _____ DRILLER: _____ CONTRACTOR'S TIME _____ CO'S. TIME _____																
6 P.M.										71	0	12:30	12:45	1/2	DRILL 8 1/8" HOLE	4-12 TOUR
8 P.M.										100	0	12:45	1:30	3/4	SURVEY @ 81.0 RIG SERV.	
10 P.M.										130	0	1:30	1:45	1/8	DRILL 8 3/8" HOLE W 8000 LBS.	
12 P.M.										156	1/8	1:45	2:00	1	SURVEY @ 130-0	
LINER SIZE: _____ STROKE _____ MUD & CHEMICALS LBS. Added: _____ KIND _____ LBS. ON HAND _____ BOP Tested _____ DRILLER: <i>Barber</i> CONTRACTOR'S TIME _____ CO'S. TIME _____																

CASING TESTED TO: _____ PSI. MIN. FORMATION TESTED _____ PSI. MIN. EQUIPMENT FAILURES _____
 RIG FUEL CONSUMPTION _____ GALS BOILER FUEL CONSUMPTION _____ GALS WIRELINE TON MILE _____ COOL PUSHER: *Parker*

BIL OIL OF CANADA, LTD.

DATE APRIL 8, 65

No. 6 DAILY TIME SHEET

Well BIRCH #1

LOGGING REPORT

No. 6

CONTRACTOR PARKER

RIG No. 10

Approved

Date 4/8/65

WORK RECORD

12 - 8 TOUR

FROM TO FOOTAGE HRS. SIZE

Tour 1 Midnite to 8 A.M. Hrs.

SPUD
3/8" HOLE
ON REHNER'S & BIT

DRILLED 0 76 76 8 8 3/8
REAMED
CORED

DRILLER F. BREWSTER 12
DERRICK M. O'BRIEN 12
MOTORMAN L. HOUHANIAN 12
FLOORMAN W. RYMS 12
FLOORMAN V. HENNET 12
FIREMAN

TALLY

BIT RECORD

No. LENGTH BIT No. 1 2
STANDS SIZE 8 3/8 8 3/8
SINGLE MAKE H7C REED
D.C.'s 34.85 TYPE W7 YHWG.
Reamer 5 20 SERIAL 71752 E 4132
JET SIZE CON CON
FROM 0 72
TO 72 76
FOOTAGE 72 4
HRS. 7 1/2 1/2
COND. 7 1/2 1/2

REMARKS AND INJURIES:

8⁰⁰ AM DEPTH 50'

CONTRACTOR'S TIME

CO's TIME

RAT HOLE TOP

8 - 4 TOUR

FROM TO FOOTAGE HRS. SIZE

Tour 2 8 A.M. to 4 P.M. Hrs.

DRILLED
REAMED
CORED

DRILLER W. Koyper 8
DERRICK H. Kl. 97 8
MOTORMAN G. Newman 8
FLOORMAN D. Zimmerman 8
FLOORMAN B. Chumak 8
FIREMAN S. Watson 12
G. Gilbertson 12
J. Wallace 12
H. Hruschak

TALLY

BIT RECORD

No. LENGTH BIT No.
STANDS SIZE
SINGLE MAKE
D.C.'s TYPE
SERIAL
JET SIZE
FROM
TO
FOOTAGE
HRS.
COND.

REMARKS AND INJURIES:

Travel.

Cooks

Mech

CONTRACTOR'S TIME

CO's TIME

RAT HOLE TOP

4 - 12 TOUR

FROM TO FOOTAGE HRS. SIZE

Tour 3 4 P.M. to Midnite Hrs.

16
Rig SERU.
16 W 8000 lbs.

DRILLED 76 226 150 1 8 3/8
REAMED
CORED

DRILLER G. BARNHART 12
DERRICK
MOTORMAN W. RYMS 12
FLOORMAN J. FREDER 12
FLOORMAN J. FREDER 12
FIREMAN D. HERNER 12.
J. BARNELL 12.

TALLY

BIT RECORD

No. LENGTH BIT No. 2 3
STANDS SIZE 8 3/8 8 3/8
SINGLE MAKE REED REED
D.C.'s 203.53 TYPE YHWG YHWG
Reamer 5 20 SERIAL 10415 E 34536
JET SIZE CON CON
FROM 76 222
TO 222
FOOTAGE
HRS. 150
COND. 12

REMARKS AND INJURIES:

CONTRACTOR'S TIME

CO's TIME

RAT HOLE TOP

MIN. EQUIPMENT FAILURES

TIME LOST

TON MILE COOL PUSHER: 1 Prince

APPROVED: M. Subram

CALGARY OFFICE

SOCONY MOBIL OIL OF CANADA, LTD.

DAILY DRILLING REPORT

FIELD or AREA: *EAGLE PLAINS*

WELL NAME & No. *BIRCH #1*

CONTRACTOR *PARKER*

TIME	MUD RECORD				BIT WT. M	TABLE RPM	PUMP		DEVIATION		START	STOP	HRS.	WORK RECORD	TOUR			
	WT.	VISC.	W.L.	F.C.			SPM	PRESS	DEPTH	DEG.								
2 A.M.											12 ⁰⁰	12 ⁴⁵	3/4	<i>FINISH TIGHTENING TABLE TO DRILL MATHOLE 1 1/4" DRILLING RAT HOLE WITH ROTARY</i>	12-8 TOUR			
4 A.M.																		
6 A.M.																		
8 A.M.																		
LINER SIZE: _____ STROKE _____											MUD & CHEMICALS							
LBS. Added: _____ KIND _____																		
											BOP Tested		DRILLER: <i>A. Kemp</i>		CONTRACTOR'S TIME		CO'S TIME	
10 A.M.															8-4 TOUR			
NOON																		
2 P.M.																		
4 P.M.																		
LINER SIZE: _____ STROKE _____											MUD & CHEMICALS							
LBS. Added: _____ KIND _____																		
											BOP Tested		DRILLER: _____		CONTRACTOR'S TIME		CO'S TIME	
6 P.M.											12 ⁰⁰	3 ³⁰	3 1/2	<i>FINISH DRILLING RAT HOLE RIG UP TABLE TO DRILL MOUSE HOLE. DRILL MOUSE HOLE. RIG UP FLOOR TO SPUD</i>	4-12 TOUR			
8 P.M.											3 ³⁰	5 ⁰⁰	1 1/2					
10 P.M.											5 ⁰⁰	11 ⁰⁰	6					
12 P.M.											11 ⁰⁰	12 ⁰⁰	1					
LINER SIZE: _____ STROKE _____											MUD & CHEMICALS							
LBS. Added: _____ KIND _____											LBS. ON HAND							
											BOP Tested		DRILLER: <i>A. Kemp</i>		CONTRACTOR'S TIME		CO'S TIME	

CASING TESTED TO: _____ PSI. MIN. FORMATION TESTED _____ PSI. MIN. EQUIPMENT FAILURES _____

RIG FUEL CONSUMPTION _____ GALS BOILER FUEL CONSUMPTION _____ GALS WIRELINE TON MILE _____ TOOL PUSHER: *Russell*

MOBIL OIL OF CANADA, LTD.

DATE April 7, 65

No. 5 DAILY TIME SHEET

DRILLING REPORT

No. 5

Well BIRCH #1

CONTRACTOR PARKER

RIG No. 10

Approved

Date 4/7/65

WORK RECORD

12-8 TOUR

NO TABLE TO DRILL WITH HOLE
THOLE WITH ROTARY

DRILLED
REAMED
CORED

FROM TO FOOTAGE HRS. SIZE

Tour 1	Midnite to 8 A.M.	Hrs.
DRILLER	<u>F. BRENN</u>	<u>12</u>
DERRICK	<u>W. O'BRIEN</u>	<u>12</u>
MOTORMAN	<u>A. HUBBARD</u>	<u>12</u>
FLOORMAN	<u>U. RYK'S</u>	<u>12</u>
FLOORMAN	<u>V. HIRNE</u>	<u>12</u>
FIREMAN		

TALLY

BIT RECORD

No. _____
LENGTH _____
STANDS _____
SINGLE _____
D.C.'s _____
KELLY IN _____
TOTAL _____
RAT HOLE TOP _____

BIT No. -
SIZE 12 1/2
MAKE HTCO
TYPE WTR.
SERIAL 37145
JET SIZE _____
FROM _____
TO _____
FOOTAGE _____
HRS. _____
COND. _____

REMARKS AND INJURIES:

CONTRACTOR'S TIME

CO's. TIME

8-4 TOUR

DRILLED
REAMED
CORED

FROM TO FOOTAGE HRS. SIZE

Tour 2	8 A.M. to 4 P.M.	Hrs.
DRILLER	<u>W. Kriger</u>	<u>8</u>
DERRICK	<u>A. Clegg</u>	<u>8</u>
MOTORMAN	<u>G. Newman</u>	<u>8</u>
FLOORMAN	<u>D. Barron</u>	<u>8</u>
FLOORMAN	<u>R. Charney</u>	<u>8</u>
FIREMAN		

TALLY

BIT RECORD

No. _____
LENGTH _____
STANDS _____
SINGLE _____
D.C.'s _____
KELLY IN _____
TOTAL _____
RAT HOLE TOP _____

BIT No. -
SIZE _____
MAKE _____
TYPE _____
SERIAL _____
JET SIZE _____
FROM _____
TO _____
FOOTAGE _____
HRS. _____
COND. _____

REMARKS AND INJURIES:

Travel out to Dawson

Cook

Mech

S. Watson 12
G. Gilbertson 12
J. Wallace 12

H. Hrushchak 12

CONTRACTOR'S TIME

CO's. TIME

4-12 TOUR

DRILLED
REAMED
CORED

FROM TO FOOTAGE HRS. SIZE

Tour 3	4 P.M. to Midnite	Hrs.
DRILLER	<u>G. BARAURST</u>	<u>12</u>
DERRICK	<u>W. RINDAS</u>	<u>12</u>
MOTORMAN	<u>P. PADELICH</u>	<u>12</u>
FLOORMAN	<u>J. FREY</u>	<u>12</u>
FLOORMAN	<u>D. HEBNER</u>	<u>12</u>
FIREMAN	<u>J. BURRELL</u>	<u>12</u>

TALLY

BIT RECORD

No. _____
LENGTH _____
STANDS _____
SINGLE _____
D.C.'s _____
KELLY IN _____
TOTAL _____
RAT HOLE TOP _____

BIT No. -
SIZE 9 3/8
MAKE _____
TYPE _____
SERIAL _____
JET SIZE _____
FROM _____
TO _____
FOOTAGE _____
HRS. _____
COND. _____

REMARKS AND INJURIES:

Drilling RAT HOLE
TO DRILL HOUSE HOLE.
HOLE.
To Spud

MIN. _____ EQUIPMENT FAILURES

TIME LOST

TON MILE _____

TOOL PUSHER: Rousseau

APPROVED: M. Abraham

CALGARY OFFICE

SOCONY MOBIL OIL OF CANADA, LTD.

DAILY DRILLING REPORT

FIELD or AREA: ENGLE PHAINS WELL NAME & No. BIRCH #1 CONTRACTOR PARKER

TIME	MUD RECORD				BIT WT. M	TABLE RPM	PUMP		DEVIATION		START	STOP	HRS.	WORK RECORD	12 - 8 TOUR						
	WT.	VISC.	W.L.	F.C.			SPM	PRESS	DEPTH	DEG.											
2 A.M.											6:00			<u>REGRINDING UP?</u> <u>12 HRY STEAM WHIP & FUEL LINES</u>							
4 A.M.																					
6 A.M.																					
8 A.M.																					
LINER SIZE: _____ STROKE _____											MUD & CHEMICALS										
LBS. Added: _____ KIND _____																					
											BOP Tested		DRILLER: <u>F. Kreny</u>		CONTRACTOR'S TIME		CO's. TIME				
MUD RECORD											BIT WT. M	TABLE RPM	PUMP		DEVIATION		START	STOP	HRS.	WORK RECORD	8 - 4 TOUR
10 A.M.	WT.	VISC.	W.L.	F.C.	SPM	PRESS	DEPTH	DEG.													
NOON											2:00	12:00	10	<u>Travel out from Dawson City</u> <u>Rig Up To Drill 2nd Hole.</u>							
2 P.M.																					
4 P.M.																					
LINER SIZE: _____ STROKE _____											MUD & CHEMICALS										
LBS. Added: _____ KIND _____																					
											BOP Tested		DRILLER: <u>F. Kreny</u>		CONTRACTOR'S TIME		CO's. TIME				
MUD RECORD											BIT WT. M	TABLE RPM	PUMP		DEVIATION		START	STOP	HRS.	WORK RECORD	4 - 12 TOUR
6 P.M.	WT.	VISC.	W.L.	F.C.	SPM	PRESS	DEPTH	DEG.													
8 P.M.											7:00			<u>Rigging up.</u> <u>SET UP PIPE RACKS</u> <u>GIN POLE 13 3/4 CSG. ON TO RACKS.</u> <u>REPAIR CAT WALK.</u>							
10 P.M.																					
12 P.M.																					
LINER SIZE: _____ STROKE _____											MUD & CHEMICALS										
LBS. Added: _____ KIND _____											LBS. _____		ON HAND _____								
											BOP Tested		DRILLER: <u>John Kruger</u>		CONTRACTOR'S TIME		CO's. TIME				

CASING TESTED TO: _____ PSI. MIN. FORMATION TESTED _____ PSI. MIN. EQUIPMENT FAILURES _____
 RIG FUEL CONSUMPTION _____ GALS BOILER FUEL CONSUMPTION _____ GALS WIRELINE TON MILE _____ TOOL PUSHER: Reuel

BP OIL OF CANADA, LTD.

DATE April 6/65

No. 4 DAILY TIME SHEET

WORKING REPORT

No. 4

Well BINEN #1

CONTRACTOR PARKER

RIG No. 10

Approved

Date 4/6/65

WORK RECORD

12-8 TOUR

WHIP & FUEL LINES

FROM	TO	FOOTAGE	HRS.	SIZE
DRILLED				
REAMED				
CORED				

TALLY		BIT RECORD	
No.	LENGTH	BIT No.	
STANDS		SIZE	
SINGLE		MAKE	
D.C.'s		TYPE	
		SERIAL	
		JET SIZE	
		FROM	
		TO	
KELLY IN		FOOTAGE	
TOTAL		HRS.	
RAT HOLE TOP		COND.	

Tour 1	Midnite to 8 A.M.	Hrs.
DRILLER	<u>F. KREMP</u>	
DERRICK	<u>M. O'BRIEN</u>	
MOTORMAN	<u>L. HOURMANN</u>	
FLOORMAN	<u>W. RYAN</u>	
FLOORMAN	<u>V. HENRY</u>	
FIREMAN		

REMARKS AND INJURIES:

CONTRACTOR'S TIME

CO's. TIME

8-4 TOUR

from Dawson City
Drill Rat Hole.

FROM	TO	FOOTAGE	HRS.	SIZE
DRILLED				
REAMED				
CORED				

TALLY		BIT RECORD	
No.	LENGTH	BIT No.	
STANDS		SIZE	
SINGLE		MAKE	
D.C.'s		TYPE	
		SERIAL	
		JET SIZE	
		FROM	
		TO	
KELLY IN		FOOTAGE	
TOTAL		HRS.	
RAT HOLE TOP		COND.	

Tour 2	8 A.M. to 4 P.M.	Hrs.
DRILLER	<u>G. BARHURST</u>	<u>12</u>
DERRICK	<u>W. RYAN</u>	<u>12</u>
MOTORMAN	<u>P. PAULICH</u>	<u>12</u>
FLOORMAN	<u>J. FREY</u>	<u>12</u>
FLOORMAN	<u>D. HEBNER</u>	<u>12</u>
FIREMAN		

Cooks S. Watson 12
G. Gilberison 12
J. Gallanec 12

Weld on ramp floor till 12:30 AM. → H. Hrushchak. 16
 R.P.

CONTRACTOR'S TIME

CO's. TIME

4-12 TOUR

UP.
13 1/2 RACKS
13 1/2 CSg. on 70 RACKS.
7 WHK.

FROM	TO	FOOTAGE	HRS.	SIZE
DRILLED				
REAMED				
CORED				

TALLY		BIT RECORD	
No.	LENGTH	BIT No.	
STANDS		SIZE	
SINGLE		MAKE	
D.C.'s		TYPE	
		SERIAL	
		JET SIZE	
		FROM	
		TO	
KELLY IN		FOOTAGE	
TOTAL		HRS.	
RAT HOLE TOP		COND.	

Tour 3	4 P.M. to Midnite	Hrs.
DRILLER	<u>Wm. KAYGER</u>	<u>12</u>
DERRICK	<u>LAWRENCE CLIGG</u>	<u>12</u>
MOTORMAN	<u>G. NEWMAN</u>	<u>12</u>
FLOORMAN	<u>D. BARROWMAN</u>	<u>12</u>
FLOORMAN	<u>R. CHARLTON</u>	<u>12</u>
FIREMAN	<u>J. BURRILL</u>	<u>12</u>

REMARKS AND INJURIES:

MIN.

EQUIPMENT FAILURES

TIME LOST

TON MILE

TOOL PUSHER:

Russell

APPROVED:

M. Abraham

CALGARY OFFICE

SOCONY MOBIL OIL OF CANADA, LTD.

DAILY DRILLING REPORT

FIELD or AREA: *ENGLE PLAINS*

WELL NAME & No. *BIRCH #1*

CONTRACTOR *PARKER*

TIME	MUD RECORD				BIT WT. M	TABLE RPM	PUMP		DEVIATION		START	STOP	HRS.	WORK RECORD	12 - 8 TOUR					
	WT.	VISC.	W.L.	F.C.			SPM	PRESS	DEPTH	DEG.										
2 A.M.											<i>8:00</i>			<i>LINE UP 4 HOOR UP PUMPS & MUD TANKS RIGGING UP</i>						
4 A.M.																				
6 A.M.																				
8 A.M.																				
LINER SIZE: _____ STROKE _____											MUD & CHEMICALS									
LBS. Added		KIND																		
											BOP Tested		DRILLER:		CONTRACTOR'S TIME		CO'S. TIME			
TIME	MUD RECORD				BIT WT. M	TABLE RPM	PUMP		DEVIATION		START	STOP	HRS.	WORK RECORD	8 - 4 TOUR					
	WT.	VISC.	W.L.	F.C.			SPM	PRESS	DEPTH	DEG.										
10 A.M.																				
NOON																				
2 P.M.																				
4 P.M.																				
LINER SIZE: _____ STROKE _____											MUD & CHEMICALS									
LBS. Added		KIND																		
											BOP Tested		DRILLER:		CONTRACTOR'S TIME		CO'S. TIME			
TIME	MUD RECORD				BIT WT. M	TABLE RPM	PUMP		DEVIATION		START	STOP	HRS.	WORK RECORD	4 - 12 TOUR					
	WT.	VISC.	W.L.	F.C.			SPM	PRESS	DEPTH	DEG.										
6 P.M.											<i>8:00</i>			<i>STRING 6 LINES RAISED DERRICK RIGGING UP</i>						
8 P.M.																				
10 P.M.																				
12 P.M.																				
LINER SIZE: _____ STROKE _____											MUD & CHEMICALS		LBS. ON HAND							
LBS. Added		KIND			LBS.		ON HAND													
											BOP Tested		DRILLER: <i>Wm. Kupper</i>		CONTRACTOR'S TIME		CO'S. TIME			

CASING TESTED TO: _____ PSI. MIN. FORMATION TESTED _____ PSI. MIN. EQUIPMENT FAILURES _____

RIG FUEL CONSUMPTION _____ GALS BOILER FUEL CONSUMPTION _____ GALS WIRELINE TON MILE _____ TOOL PUSHER: *H. Russell*

ILLING REPORT

No. 3

CONTRACTOR PARKER

RIG No. 10

Approved

Date 4/5/65

Well

WORK RECORD

12 - 8 TOUR

hook up pumps & mud tanks

DRILLED
REAMED
CORED

FROM TO FOOTAGE HRS. SIZE

Tour 1 Midnite to 8 A.M. Hrs.

DRILLER F. FRENCH 12
DERRICK H. LORREN 12
MOTORMAN L. HOURMAN 12
FLOORMAN W. RYKS 12
FLOORMAN V. HINCHAY 12
FIREMAN

TALLY

BIT RECORD

No. STANDS
SINGLE
D.C.'s

LENGTH

BIT No.
SIZE
MAKE
TYPE
SERIAL
JET SIZE
FROM
TO
FOOTAGE
HRS.
COND.

REMARKS AND INJURIES:

CONTRACTOR'S TIME

CO's. TIME

RAT HOLE TOP

8 - 4 TOUR

FROM TO FOOTAGE HRS. SIZE

Tour 2 8 A.M. to 4 P.M. Hrs.

DRILLED
REAMED
CORED

Travel
Edmonton
to
Dunsmuir City

DRILLER G. Barhusst 8
DERRICK W. Rinas 8
MOTORMAN P. Pavelich 8
FLOORMAN J. Frey 8
FLOORMAN D. Hebrer 8
FIREMAN

TALLY

BIT RECORD

No. STANDS
SINGLE
D.C.'s

LENGTH

BIT No.
SIZE
MAKE
TYPE
SERIAL
JET SIZE
FROM
TO
FOOTAGE
HRS.
COND.

REMARKS AND INJURIES:

Cooks S. Watson 12
G. Gilbertson 12
Mech. J. Vallance 12
H. Hrushchak 12

CONTRACTOR'S TIME

CO's. TIME

RAT HOLE TOP

4 - 12 TOUR

FROM TO FOOTAGE HRS. SIZE

Tour 3 4 P.M. to Midnite Hrs.

DRILLED
REAMED
CORED

LINES
BRICK
UP

DRILLER Wm. KAYGER 12
DERRICK L. CLEGG 12
MOTORMAN G. NEWHALL 12
FLOORMAN D. BARROWMAN 12
FLOORMAN R. CHENARD 12
FIREMAN J. BURRELL 12

TALLY

BIT RECORD

No. STANDS
SINGLE
D.C.'s

LENGTH

BIT No.
SIZE
MAKE
TYPE
SERIAL
JET SIZE
FROM
TO
FOOTAGE
HRS.
COND.

REMARKS AND INJURIES:

CONTRACTOR'S TIME

CO's. TIME

RAT HOLE TOP

MIN.

EQUIPMENT FAILURES

TIME LOST

TON MILE

TOOL PUSHER:

Intreese

APPROVED:

M. Graham

CALGARY OFFICE

SOCONY MOBIL OIL OF CANADA, LTD.

DAILY DRILLING REPORT

FIELD or AREA: *ENGLE PLAINS* WELL NAME & No. *BIRCH #1* CONTRACTOR *PARKER*

TIME	MUD RECORD				BIT WT. M	TABLE RPM	PUMP		DEVIATION		START	STOP	HRS.	WORK RECORD	12-8 TOUR			
	WT.	VISC.	W.L.	F.C.			SPM	PRESS	DEPTH	DEG.								
2 A.M.											8:00	12:40	4	<i>FINISH RIGGING 40' CAMP LAY MATS SPOT SUB ON PLAINS PUT UP DRAWWORKS PIN DECK BRISE A LEGS</i>				
4 A.M.											12	9:00	9					
6 A.M.																		
8 A.M.																		
LINER SIZE: _____ STROKE _____																		
MUD & CHEMICALS																		
LBS. Added: _____ KIND _____																		
											BOP Tested		DRILLER: <i>F. Henry</i>		CONTRACTOR'S TIME		CO'S. TIME	
TIME	MUD RECORD				BIT WT. M	TABLE RPM	PUMP		DEVIATION		START	STOP	HRS.	WORK RECORD	8-4 TOUR			
	WT.	VISC.	W.L.	F.C.			SPM	PRESS	DEPTH	DEG.								
10 A.M.																		
NOON																		
2 P.M.																		
4 P.M.																		
LINER SIZE: _____ STROKE _____																		
MUD & CHEMICALS																		
LBS. Added: _____ KIND _____																		
											BOP Tested		DRILLER: _____		CONTRACTOR'S TIME		CO'S. TIME	
TIME	MUD RECORD				BIT WT. M	TABLE RPM	PUMP		DEVIATION		START	STOP	HRS.	WORK RECORD	4-12 TOUR			
	WT.	VISC.	W.L.	F.C.			SPM	PRESS	DEPTH	DEG.								
6 P.M.											1:00			<i>LOAD OUT TRUCKS ON OLD LOCATION SPOT PUMPS MUD TRUCKS ON NEW LOCATION</i>				
8 P.M.											9:00	13						
10 P.M.																		
12 P.M.																		
LINER SIZE: _____ STROKE _____																		
MUD & CHEMICALS																		
LBS. Added: _____ KIND _____																		
											BOP Tested		DRILLER: <i>Wm. Kuyper</i>		CONTRACTOR'S TIME		CO'S. TIME	

CASING TESTED TO: _____ PSI. MIN. FORMATION TESTED _____ PSI. MIN. EQUIPMENT FAILURES _____
 RIG FUEL CONSUMPTION _____ GALS BOILER FUEL CONSUMPTION _____ GALS WIRELINE TON MILE _____ TOOL PUSHER: *Blue*

BIL OIL OF CANADA, LTD.

DATE APRIL 4/1965

No. 2 DAILY TIME SHEET

LOGGING REPORT

No. 2

Well BIRCH #1

CONTRACTOR PARKER

RIG No. 10

Approved

Date 4/4/65

WORK RECORD

12 - 8 TOUR

IND UP CAMP
PUT SUB ON PILING PUT UP
IN DERRICK RAISE LEGS

DRILLED
REAMED
CORED

FROM TO FOOTAGE HRS. SIZE

Tour 1 Midnite to 8 A.M. Hrs.
DRILLER F. KREMP 13
DERRICK M. O'BRIEN 13
MOTORMAN L. HOULAHAN 13
FLOORMAN W. RYKS 13
FLOORMAN J. HONEY 13
FIREMAN

TALLY

BIT RECORD

No. LENGTH BIT No.
STANDS SIZE
SINGLE MAKE
D.C.'s TYPE
SERIAL
JET SIZE
FROM
TO
KELLY IN FOOTAGE
TOTAL HRS.
RAT HOLE TOP COND.

REMARKS AND INJURIES:

CONTRACTOR'S TIME

CO's. TIME

8 - 4 TOUR

FROM TO FOOTAGE HRS. SIZE

TRUCKS ON OLD LOCATION
MUD TRUCKS ON NEW LOCATION

DRILLED
REAMED
CORED

FROM TO FOOTAGE HRS. SIZE

Tour 2 8 A.M. to 4 P.M. Hrs.
DRILLER S. Watson 12
DERRICK G. Gilbertson 12
MOTORMAN D. Vallance 12
FLOORMAN H. Mruschak 13
FLOORMAN
FIREMAN

TALLY

BIT RECORD

No. LENGTH BIT No.
STANDS SIZE
SINGLE MAKE
D.C.'s TYPE
SERIAL
JET SIZE
FROM
TO
KELLY IN FOOTAGE
TOTAL HRS.
RAT HOLE TOP COND.

REMARKS AND INJURIES:

CONTRACTOR'S TIME

CO's. TIME

4 - 12 TOUR

FROM TO FOOTAGE HRS. SIZE

TRUCKS ON OLD LOCATION
MUD TRUCKS ON NEW LOCATION

DRILLED
REAMED
CORED

FROM TO FOOTAGE HRS. SIZE

Tour 3 4 P.M. to Midnite Hrs.
DRILLER Wm. KRYGER 13
DERRICK L. CLEGG 13
MOTORMAN G. NEWMAN 14
FLOORMAN D. BARROWMAN 14
FLOORMAN R. CHAMBERLAIN 13
FIREMAN J. BURROLL 13

TALLY

BIT RECORD

No. LENGTH BIT No.
STANDS SIZE
SINGLE MAKE
D.C.'s TYPE
SERIAL
JET SIZE
FROM
TO
KELLY IN FOOTAGE
TOTAL HRS.
RAT HOLE TOP COND.

REMARKS AND INJURIES:

MIN.

EQUIPMENT FAILURES

TIME LOST

TON MILE

TOOL PUSHER: Burroll

APPROVED: Strahorn

CALGARY OFFICE

SOCONY MOBIL OIL OF CANADA, LTD.

DAILY DRILLING REPORT

FIELD or AREA: EAGLE PLAINS WELL NAME & No. BIRCH #1 CONTRACTOR PARKER

TIME	MUD RECORD				BIT WT. M	TABLE RPM	PUMP		DEVIATION		START	STOP	HRS.	WORK RECORD	12-8 TOUR			
	WT.	VISC.	W.L.	F.C.			SPM	PRESS	DEPTH	DEG.								
2 A.M.														LOAD OUT CAMP HELP TEAR OUT RIG				
4 A.M.																		
6 A.M.																		
8 A.M.																		
LINER SIZE: _____ STROKE _____											MUD & CHEMICALS							
LBS. Added _____ KIND _____																		
											BOP Tested		DRILLER:		CONTRACTOR'S TIME		CO'S TIME	
TIME	MUD RECORD				BIT WT. M	TABLE RPM	PUMP		DEVIATION		START	STOP	HRS.	WORK RECORD	8-4 TOUR			
	WT.	VISC.	W.L.	F.C.			SPM	PRESS	DEPTH	DEG.								
10 A.M.																		
NOON																		
2 P.M.																		
4 P.M.																		
LINER SIZE: _____ STROKE _____											MUD & CHEMICALS							
LBS. Added _____ KIND _____																		
											BOP Tested		DRILLER:		CONTRACTOR'S TIME		CO'S TIME	
TIME	MUD RECORD				BIT WT. M	TABLE RPM	PUMP		DEVIATION		START	STOP	HRS.	WORK RECORD	4-12 TOUR			
	WT.	VISC.	W.L.	F.C.			SPM	PRESS	DEPTH	DEG.								
6 P.M.													TEAR OUT BOILERHOUSE LAY DOWN KELLY SOCK MUSEHLE. TEAR OUT FLOOR + LIFT 2 BY DOWN SHINE TEAR OUT RIG + LOAD OUT TRUCKS. RIG ON CAMP					
8 P.M.																		
10 P.M.																		
12 P.M.																		
LINER SIZE: _____ STROKE _____											MUD & CHEMICALS							
LBS. Added _____ KIND _____											LBS. _____ ON HAND _____							
											BOP Tested		DRILLER: <u>Wm. Kasper</u>		CONTRACTOR'S TIME		CO'S TIME	

CASING TESTED TO: _____ PSI. MIN. FORMATION TESTED _____ PSI. MIN. EQUIPMENT FAILURES _____
 RIG FUEL CONSUMPTION _____ GALS BOILER FUEL CONSUMPTION _____ GALS WIRELINE TON MILE TOOL PUSHER: Rince

OIL OF CANADA, LTD.

DATE April 2/65

No. 1 DAILY TIME SHEET 2.5

LOG REPORT

No. 1

Well BIRCH #1

CONTRACTOR PARKER

RIG No. 10

Approved: _____ Date 4/3/65

DRK RECORD

12 - 8 TOUR

HELP TEAR OUT RIG

DRILLED
REAMED
CORED

TALLY

BIT RECORD

No. LENGTH STANDS SINGLE D.C.'s
KELLY IN TOTAL

BIT No. SIZE MAKE TYPE SERIAL
JET SIZE FROM TO FOOTAGE HRS. COND.

Tour 1 Midnite to 8 A.M. Hrs.
DRILLER F. KRENIP 7
DERRICK M. O'BRIEN 6
MOTORMAN L. HOUHMAN 6
FLOORMAN W. RYKS 6
FLOORMAN V. HACHEL 6
FIREMAN

REMARKS AND INJURIES:

CONTRACTOR'S TIME

CO'S TIME

RAT HOLE TOP

8 - 4 TOUR

DRILLED
REAMED
CORED

TALLY

BIT RECORD

No. LENGTH STANDS SINGLE D.C.'s
KELLY IN TOTAL

BIT No. SIZE MAKE TYPE SERIAL
JET SIZE FROM TO FOOTAGE HRS. COND.

Tour 2 8 A.M. to 4 P.M. Hrs.
DRILLER S. WALSON 15
DERRICK G. GILBERTSON 15
MOTORMAN J. VAILLANCOURT 15
FLOORMAN H. HRUSHCHAK 15
FLOORMAN
FIREMAN

REMARKS AND INJURIES:

CONTRACTOR'S TIME

CO'S TIME

RAT HOLE TOP

4 - 12 TOUR

WORKHOUSE
YR SOCK MUSE HILL,
OR + HIDE ANY DOWN SAME
RIG + LEAD OUT TRUCKS.

DRILLED
REAMED
CORED

TALLY

BIT RECORD

No. LENGTH STANDS SINGLE D.C.'s
KELLY IN TOTAL

BIT No. SIZE MAKE TYPE SERIAL
JET SIZE FROM TO FOOTAGE HRS. COND.

Tour 3 4 P.M. to Midnite Hrs.
DRILLER Wm. KRYGER 16
DERRICK L. CLEGG 16
MOTORMAN C. NEWMAN 16
FLOORMAN D. BARROWMAN 16
FLOORMAN R. CHENARO 16
FIREMAN J. BURRILL 16

REMARKS AND INJURIES:

CONTRACTOR'S TIME

CO'S TIME

RAT HOLE TOP

EQUIPMENT FAILURES

TIME LOST

TOOL PUSHER: R. RICE

APPROVED: M. Graham

CALGARY OFFICE

SOCONY MOBIL OIL OF CANADA, LTD.

DAILY DRILLING REPORT

FIELD or AREA: YUKON WELL NAME & No. BIRCH No 1 CONTRACTOR PARKER DRILLING Co. of C.

TIME	MUD RECORD				BIT WT. M	TABLE RPM	PUMP		DEVIATION		START	STOP	HRS.	WORK RECORD
	WT.	VISC.	W.L.	F.C.			SPM	PRESS	DEPTH	DEG.				
											7:00	11:00	4	SPOT SHACKS & UNLOAD DRILL PIPE SPOT CATWALKS & PIPE RACKS SINGOLE COLLARS ON RACKS LEVEL MUD TANKS AND WATER TANK.
2 A.M.											11:00	3:00	4	
4 A.M.											3:00	6:00	3	
6 A.M.											6:00	9:00	3	
8 A.M.													14	

12-8 TOUR

LINER SIZE:		STROKE	
MUD & CHEMICALS			
LBS. Added	KIND		

BOP Tested _____ DRILLER: W. Skinner CONTRACTOR'S TIME _____ CO'S TIME _____

TIME	MUD RECORD				BIT WT. M	TABLE RPM	PUMP		DEVIATION		START	STOP	HRS.
	WT.	VISC.	W.L.	F.C.			SPM	PRESS	DEPTH	DEG.			
10 A.M.													
NOON													
2 P.M.													
4 P.M.													

8-4 TOUR

LINER SIZE:		STROKE	
MUD & CHEMICALS			
LBS. Added	KIND		

BOP Tested _____ DRILLER: _____ CONTRACTOR'S TIME _____ CO'S TIME _____

TIME	MUD RECORD				BIT WT. M	TABLE RPM	PUMP		DEVIATION		START	STOP	HRS.
	WT.	VISC.	W.L.	F.C.			SPM	PRESS	DEPTH	DEG.			
6 P.M.													
8 P.M.													
10 P.M.													
12 P.M.													

4-12 TOUR

LINER SIZE:		STROKE	
MUD & CHEMICALS			
LBS. Added	KIND	LBS.	ON HAND

BOP Tested _____ DRILLER: _____ CONTRACTOR'S TIME _____ CO'S TIME _____

CASING TESTED TO: _____ PSI. MIN. FORMATION TESTED _____ PSI. MIN. EQUIPMENT FAILURES _____
 RIG FUEL CONSUMPTION _____ GALS BOILER FUEL CONSUMPTION _____ GALS WIRELINE TON MILE _____ TOOL PUSHER: Skinner

MOBIL OIL OF CANADA, LTD.

DATE April 5/65

No. 24 DAILY TIME SHEET

DRILLING REPORT

No. 24

Well SOCONAY MOBIL OIL

CONTRACTOR PARKER DRILLING Co. of Can.

RIG No.

Approved

Date

WORK RECORD

12 - 8 TOUR

UNLOAD DRILL PIPE
S & PIPE RACKS
RACKS ON RACKS
RACKS AND WATER TANK.

DRILLED
REAMED
CORED

FROM TO FOOTAGE HRS. SIZE

Tour 1 Midnite to 8 A.M. Hrs.

DRILLER W. G. L. M. 197 14
DERRICK
MOTORMAN G. Simpson 14
FLOORMAN
FLOORMAN
FIREMAN

TALLY

BIT RECORD

No. LENGTH BIT No.
STANDS SIZE
SINGLE MAKE
D.C.'s TYPE
SERIAL
JET SIZE
FROM
TO
FOOTAGE
KELLY IN HRS.
TOTAL
RATHOLE TOP COND.

REMARKS AND INJURIES:

CONTRACTOR'S TIME

CO'S. TIME

8 - 4 TOUR

FROM TO FOOTAGE HRS. SIZE

Tour 2 8 A.M. to 4 P.M. Hrs.

DRILLED
REAMED
CORED

DRILLER
DERRICK
MOTORMAN
FLOORMAN
FLOORMAN
FIREMAN

TALLY

BIT RECORD

No. LENGTH BIT No.
STANDS SIZE
SINGLE MAKE
D.C.'s TYPE
SERIAL
JET SIZE
FROM
TO
FOOTAGE
KELLY IN HRS.
TOTAL
RATHOLE TOP COND.

REMARKS AND INJURIES:

CONTRACTOR'S TIME

CO'S. TIME

4 - 12 TOUR

FROM TO FOOTAGE HRS. SIZE

Tour 3 4 P.M. to Midnite Hrs.

DRILLED
REAMED
CORED

DRILLER
DERRICK
MOTORMAN
FLOORMAN
FLOORMAN
FIREMAN

TALLY

BIT RECORD

No. LENGTH BIT No.
STANDS SIZE
SINGLE MAKE
D.C.'s TYPE
SERIAL
JET SIZE
FROM
TO
FOOTAGE
KELLY IN HRS.
TOTAL
RATHOLE TOP COND.

REMARKS AND INJURIES:

CONTRACTOR'S TIME

CO'S. TIME

MIN.
TON MILE

EQUIPMENT FAILURES

TIME LOST

TOOL PUSHER: [Signature]

APPROVED: [Signature]

CALGARY OFFICE

SOCONY MOBIL OIL OF CANADA, LTD.

DAILY DRILLING REPORT

FIELD or AREA: YUKON WELL NAME & No. BIACH No 1 CONTRACTOR PAKER OIL CO. LTD.

TIME	MUD RECORD				BIT WT. M	TABLE RPM	PUMP		DEVIATION		START	STOP	HRS.	WORK RECORD	TOUR					
	WT.	VISC.	W.L.	F.C.			SPM	PRESS	DEPTH	DEG.										
2 A.M.											7:00	7:00	12	FINISH SETTING UP CAMP UNLOAD TANKS	12 - 8 TOUR					
4 A.M.											7:00	9:00	2							
6 A.M.													14							
8 A.M.																				
LBS. Added													KIND		LBS.		ON HAND			
BOP Tested													DRILLER: <u>W. Gilman</u>		CONTRACTOR'S TIME		CO'S. TIME			
BOP Tested													DRILLER:		CONTRACTOR'S TIME		CO'S. TIME			
BOP Tested													DRILLER:		CONTRACTOR'S TIME		CO'S. TIME			

CASING TESTED TO: _____ PSI. MIN. FORMATION TESTED _____ PSI. MIN. EQUIPMENT FAILURES _____

RIG FUEL CONSUMPTION _____ GALS BOILER FUEL CONSUMPTION _____ GALS WIRELINE TON MILE _____ COOL PUSHER: R. [Signature]

MOBIL OIL OF CANADA, LTD.

DATE _____

No. 23 DAILY TIME SHEET

DRILLING REPORT

April 4/65

No. 23

Well SOCIETY MOBILE OIL

CONTRACTOR PAKER DRILLING CO. of CAN

RIG No. PIPING DRILL

Approved _____

Date _____

WORK RECORD

12 - 8 TOUR

FROM TO FOOTAGE HRS. SIZE

Tour 1 Midnite to 8 A.M. Hrs.

Setting up Camp

DRILLED
REAMED
CORED

DRILLER M/ Blimm 14
DERRICK
MOTORMAN B Simpson 14
FLOORMAN
FLOORMAN
FIREMAN

TALLY

BIT RECORD

No. LENGTH BIT No. SIZE MAKE TYPE SERIAL JET SIZE FROM TO FOOTAGE HRS. COND.

REMARKS AND INJURIES:

CONTRACTOR'S TIME

CO'S TIME

RAT HOLE TOP

8 - 4 TOUR

FROM TO FOOTAGE HRS. SIZE

Tour 2 8 A.M. to 4 P.M. Hrs.

DRILLED
REAMED
CORED

DRILLER
DERRICK
MOTORMAN
FLOORMAN
FLOORMAN
FIREMAN

TALLY

BIT RECORD

No. LENGTH BIT No. SIZE MAKE TYPE SERIAL JET SIZE FROM TO FOOTAGE HRS. COND.

REMARKS AND INJURIES:

CONTRACTOR'S TIME

CO'S TIME

RAT HOLE TOP

4 - 12 TOUR

FROM TO FOOTAGE HRS. SIZE

Tour 3 4 P.M. to Midnite Hrs.

DRILLED
REAMED
CORED

DRILLER
DERRICK
MOTORMAN
FLOORMAN
FLOORMAN
FIREMAN

TALLY

BIT RECORD

No. LENGTH BIT No. SIZE MAKE TYPE SERIAL JET SIZE FROM TO FOOTAGE HRS. COND.

REMARKS AND INJURIES:

CONTRACTOR'S TIME

CO'S TIME

RAT HOLE TOP

EQUIPMENT FAILURES

TIME LOST

TON MILE

COOL PUSHER:

[Handwritten signature]

APPROVED:

[Handwritten signature]

CALGARY OFFICE

SOCONY MOBIL OIL OF CANADA, LTD.

DA... DRILLING REPORT

FIELD or AREA: UKON WELL NAME & No. BIRCH No. 1 CONTRACTOR DAKER DALE CO. LTD

TIME	MUD RECORD				BIT WT. M	TABLE RPM	PUMP		DEVIATION		START	STOP	HRS.	WORK RECORD		
	WT.	VISC.	W.L.	F.C.			SPM	PRESS	DEPTH	DEG.						
2 A.M.											6:00	9:00	3	HELP TEAR OUT Camps LEAD OUT SAME TRAVEL TO BIRCH AND SET UP Camp		
4 A.M.											9:00	10:00	13			
6 A.M.													16			
8 A.M.																
LINER SIZE: _____ STROKE _____ MUD & CHEMICALS LBS. Added: _____ KIND: _____											BOP Tested		DRILLER: <u>W. H. Lima</u>	CONTRACTOR'S TIME	CO'S. TIME	12 - 8 TOUR
10 A.M.																
NOON																
2 P.M.																
4 P.M.																
LINER SIZE: _____ STROKE _____ MUD & CHEMICALS LBS. Added: _____ KIND: _____											BOP Tested		DRILLER:	CONTRACTOR'S TIME	CO'S. TIME	8 - 4 TOUR
6 P.M.																
8 P.M.																
10 P.M.																
12 P.M.																
LINER SIZE: _____ STROKE _____ MUD & CHEMICALS LBS. Added: _____ KIND: _____ LBS. ON HAND: _____											BOP Tested		DRILLER:	CONTRACTOR'S TIME	CO'S. TIME	4 - 12 TOUR

CASING TESTED TO: _____ PSI. MIN. FORMATION TESTED _____ PSI. MIN. EQUIPMENT FAILURES _____
 RIG FUEL CONSUMPTION _____ GALS BOILER FUEL CONSUMPTION _____ GALS WIRELINE TON MILE _____ TOOL PUSHER: H. H. H. H.

MOBIL OIL OF CANADA, LTD.

DATE _____

No. 22 DAILY TIME SHEET

LOGGING REPORT

April 3/65

No. 22

Well SocOMY / MOBIL OIL

CONTRACTOR PARKER DALE CO. OF CAN

RIG No. PILING DRILL

Approved _____

Date _____

WORK RECORD

12 - 8 TOUR

FROM TO FOOTAGE HRS. SIZE

Tour 1 Midnite to 8 A.M. Hrs.

at Camp & load out same
" and set up camp

DRILLED
REAMED
CORED

DRILLER
DERRICK
MOTORMAN
FLOORMAN
FLOORMAN
FIREMAN

W Blimm 16
B Simpson 16

TALLY

BIT RECORD

No. LENGTH
STANDS
SINGLE
D.C.'s

BIT No.
SIZE
MAKE
TYPE
SERIAL
JET SIZE
FROM
TO
FOOTAGE
HRS.
COND.

REMARKS AND INJURIES:

CONTRACTOR'S TIME

CO's TIME

RAT HOLE TOP

8 - 4 TOUR

FROM TO FOOTAGE HRS. SIZE

Tour 2 8 A.M. to 4 P.M. Hrs.

DRILLED
REAMED
CORED

DRILLER
DERRICK
MOTORMAN
FLOORMAN
FLOORMAN
FIREMAN

TALLY

BIT RECORD

No. LENGTH
STANDS
SINGLE
D.C.'s

BIT No.
SIZE
MAKE
TYPE
SERIAL
JET SIZE
FROM
TO
FOOTAGE
HRS.
COND.

REMARKS AND INJURIES:

CONTRACTOR'S TIME

CO's TIME

RAT HOLE TOP

4 - 12 TOUR

FROM TO FOOTAGE HRS. SIZE

Tour 3 4 P.M. to Midnite Hrs.

DRILLED
REAMED
CORED

DRILLER
DERRICK
MOTORMAN
FLOORMAN
FLOORMAN
FIREMAN

TALLY

BIT RECORD

No. LENGTH
STANDS
SINGLE
D.C.'s

BIT No.
SIZE
MAKE
TYPE
SERIAL
JET SIZE
FROM
TO
FOOTAGE
HRS.
COND.

REMARKS AND INJURIES:

CONTRACTOR'S TIME

CO's TIME

RAT HOLE TOP

IN.

EQUIPMENT FAILURES

TIME LOST

ON MILE

TOOL PUSHER:

[Signature]

APPROVED:

[Signature]

CALGARY OFFICE

SOCONY MOBIL OIL OF CANADA, LTD.

DAILY DRILLING REPORT

FIELD or AREA: YUKON WELL NAME & No. WEST KAKIA CONTRACTOR PARKER DRILLING CO.

TIME	MUD RECORD				BIT WT. M	TABLE RPM	PUMP		DEVIATION		START	STOP	HRS.	WORK RECORD	12-8 TOUR			
	WT.	VISC.	W.L.	F.C.			SPM	PRESS	DEPTH	DEG.								
2 A.M.											7:30	8:30	13	FINISH BUILDING SPRING, IN BIRCH LOC.				
4 A.M.																		
6 A.M.																		
8 A.M.																		
LINER SIZE: _____ STROKE _____											BOP Tested		DRILLER: <u>W. Glinn</u>		CONTRACTOR'S TIME		CO'S TIME	
MUD & CHEMICALS																		
LBS. Added _____ KIND _____																		

TIME	MUD RECORD				BIT WT. M	TABLE RPM	PUMP		DEVIATION		START	STOP	HRS.	WORK RECORD	8-4 TOUR			
	WT.	VISC.	W.L.	F.C.			SPM	PRESS	DEPTH	DEG.								
10 A.M.																		
NOON																		
2 P.M.																		
4 P.M.																		
LINER SIZE: _____ STROKE _____											BOP Tested		DRILLER: _____		CONTRACTOR'S TIME		CO'S TIME	
MUD & CHEMICALS																		
LBS. Added _____ KIND _____																		

TIME	MUD RECORD				BIT WT. M	TABLE RPM	PUMP		DEVIATION		START	STOP	HRS.	WORK RECORD	4-12 TOUR			
	WT.	VISC.	W.L.	F.C.			SPM	PRESS	DEPTH	DEG.								
6 P.M.																		
8 P.M.																		
10 P.M.																		
12 P.M.																		
LINER SIZE: _____ STROKE _____											BOP Tested		DRILLER: _____		CONTRACTOR'S TIME		CO'S TIME	
MUD & CHEMICALS																		
LBS. Added _____ KIND _____											LBS. _____		ON HAND _____					

CASING TESTED TO: _____ PSI. MIN. FORMATION TESTED _____ PSI. MIN. EQUIPMENT FAILURES _____
 RIG FUEL CONSUMPTION _____ GALS BOILER FUEL CONSUMPTION _____ GALS WIRELINE TON MILE _____ TOOL PUSHER: Richard

MOBIL OIL OF CANADA, LTD.

DATE April 2/65

No. 21 DAILY TIME SHEET
Well Soeony Mobil Oil

DRILLING REPORT

CONTRACTOR Parker Dale Co. Can.

RIG No. _____

Approved _____

Date _____

WORK RECORD

12 - 8 TOUR

FROM TO FOOTAGE HRS. SIZE

Tour 1 Midnite to 8 A.M. Hrs.

DRILLING STRINGERS IN BIRCH LOC.

DRILLED
REAMED
CORED

DRILLER W. Blimm 13

DERRICK
MOTORMAN G. Simpson 13

FLOORMAN
FIREMAN

TALLY

BIT RECORD

No. LENGTH
STANDS
SINGLE
D.C.'s
KELLY IN
TOTAL
RAT HOLE TOP

BIT No.
SIZE
MAKE
TYPE
SERIAL
JET SIZE
FROM
TO
FOOTAGE
HRS.
COND.

REMARKS AND INJURIES:

CONTRACTOR'S TIME

CO'S TIME

8 - 4 TOUR

FROM TO FOOTAGE HRS. SIZE

Tour 2 8 A.M. to 4 P.M. Hrs.

DRILLED
REAMED
CORED

DRILLER
DERRICK
MOTORMAN
FLOORMAN
FLOORMAN
FIREMAN

TALLY

BIT RECORD

No. LENGTH
STANDS
SINGLE
D.C.'s
KELLY IN
TOTAL
RAT HOLE TOP

BIT No.
SIZE
MAKE
TYPE
SERIAL
JET SIZE
FROM
TO
FOOTAGE
HRS.
COND.

REMARKS AND INJURIES:

CONTRACTOR'S TIME

CO'S TIME

4 - 12 TOUR

FROM TO FOOTAGE HRS. SIZE

Tour 3 4 P.M. to Midnite Hrs.

DRILLED
REAMED
CORED

DRILLER
DERRICK
MOTORMAN
FLOORMAN
FLOORMAN
FIREMAN

TALLY

BIT RECORD

No. LENGTH
STANDS
SINGLE
D.C.'s
KELLY IN
TOTAL
RAT HOLE TOP

BIT No.
SIZE
MAKE
TYPE
SERIAL
JET SIZE
FROM
TO
FOOTAGE
HRS.
COND.

REMARKS AND INJURIES:

CONTRACTOR'S TIME

CO'S TIME

MIN.

EQUIPMENT FAILURES

TIME LOST

TON MILE

TOOL PUSHER:

Blimm

APPROVED:

W. Blimm

CALGARY OFFICE

SOCONY MOBIL OIL OF CANADA, LTD.

DAILY DRILLING REPORT

FIELD or AREA: YUKON WELL NAME & No. BIRCH No 1 CONTRACTOR PARKER DRILL CO

TIME	MUD RECORD				BIT WT. M	TABLE RPM	PUMP		DEVIATION		START	STOP	HRS.	WORK RECORD	12-8 TOUR	
	WT.	VISC.	W.L.	F.C.			SPM	PRESS	DEPTH	DEG.						
2 A.M.											7:30	8:30	1	TRAVEL TO BIRCH LOCATION CUT OFF PILING AND LAY STRINGERS RETURN TO CAMP		
4 A.M.											8:30	6:30	10			
6 A.M.											6:30	7:30	1			
8 A.M.													12			
LINER SIZE: _____ STROKE _____											BOP Tested		DRILLER: <u>W. L. Linn</u>	CONTRACTOR'S TIME	CO'S. TIME	
MUD & CHEMICALS																
LBS. Added				KIND												

TIME	MUD RECORD				BIT WT. M	TABLE RPM	PUMP		DEVIATION		START	STOP	HRS.	WORK RECORD	6-4 TOUR	
	WT.	VISC.	W.L.	F.C.			SPM	PRESS	DEPTH	DEG.						
10 A.M.																
NOON																
2 P.M.																
4 P.M.																
LINER SIZE: _____ STROKE _____											BOP Tested		DRILLER:	CONTRACTOR'S TIME	CO'S. TIME	
MUD & CHEMICALS																
LBS. Added				KIND												

TIME	MUD RECORD				BIT WT. M	TABLE RPM	PUMP		DEVIATION		START	STOP	HRS.	WORK RECORD	4-12 TOUR
	WT.	VISC.	W.L.	F.C.			SPM	PRESS	DEPTH	DEG.					
6 P.M.															
8 P.M.															
10 P.M.															
12 P.M.															
LINER SIZE: _____ STROKE _____											BOP Tested		DRILLER:	CONTRACTOR'S TIME	CO'S. TIME
MUD & CHEMICALS															
LBS. Added				KIND		LBS.		ON HAND							

CASING TESTED TO: _____ PSI. MIN. FORMATION TESTED _____ PSI. MIN. EQUIPMENT FAILURES _____
 RIG FUEL CONSUMPTION _____ GALS BOILER FUEL CONSUMPTION _____ GALS WIRELINE TON MILE _____ TOOL PUSHER: Handwritten

MOBIL OIL OF CANADA, LTD.

DATE APRIL 1

No. 20 DAILY TIME SHEET
Well Socomy Mobil Oil

DRILLING REPORT

No. 20

CONTRACTOR PARKER DALE CO. OF CAN RIG No. PILING DRILL

Approved _____ Date _____

WORK RECORD

12 - 8 TOUR

FROM TO FOOTAGE HRS. SIZE

Tour 1 Midnite to 8 A.M. Hrs.

AREA LOCATION
WELLS AND LAY STRINGERS
CAMP

DRILLED
REAMED
CORED

DRILLER W. Blimm 12
DERRICK
MOTORMAN B. Simpson 12
FLOORMAN
FLOORMAN
FIREMAN

TALLY

BIT RECORD

No. LENGTH
STANDS
SINGLE
D.C.'s

BIT No.
SIZE
MAKE
TYPE
SERIAL
JET SIZE
FROM
TO
FOOTAGE
HRS.
COND.

REMARKS AND INJURIES:

CONTRACTOR'S TIME

CO'S TIME

RAT HOLE TOP

8 - 4 TOUR

FROM TO FOOTAGE HRS. SIZE

Tour 2 8 A.M. to 4 P.M. Hrs.

DRILLED
REAMED
CORED

DRILLER
DERRICK
MOTORMAN
FLOORMAN
FLOORMAN
FIREMAN

TALLY

BIT RECORD

No. LENGTH
STANDS
SINGLE
D.C.'s

BIT No.
SIZE
MAKE
TYPE
SERIAL
JET SIZE
FROM
TO
FOOTAGE
HRS.
COND.

REMARKS AND INJURIES:

CONTRACTOR'S TIME

CO'S TIME

RAT HOLE TOP

4 - 12 TOUR

FROM TO FOOTAGE HRS. SIZE

Tour 3 4 P.M. to Midnite Hrs.

DRILLED
REAMED
CORED

DRILLER
DERRICK
MOTORMAN
FLOORMAN
FLOORMAN
FIREMAN

TALLY

BIT RECORD

No. LENGTH
STANDS
SINGLE
D.C.'s

BIT No.
SIZE
MAKE
TYPE
SERIAL
JET SIZE
FROM
TO
FOOTAGE
HRS.
COND.

REMARKS AND INJURIES:

CONTRACTOR'S TIME

CO'S TIME

RAT HOLE TOP

MIN. EQUIPMENT FAILURES

TIME LOST

TON MILE TOOL PUSHER:

[Signature]

APPROVED:

[Signature]

CALGARY OFFICE

MOBIL OIL OF CANADA, LTD.

DATE MARCH 31/65

No. 19 DAILY TIME SHEET

WORKING REPORT

CONTRACTOR PAKLEADRIE Co. of Can.

RIG No. WILSON RIG

No. 19

Well BIRCH No. 1

Secondary Mobil Oil

Approved _____ Date _____

WORK RECORD

12 - 8 TOUR

FROM TO FOOTAGE HRS. SIZE

Tour 1 Midnite to 8 A.M. Hrs.

Location
S AND PUT STAINER IN SUB BASE
LINES AND COMPRESSORS
Camp

DRILLED
REAMED
CORED

DRILLER W. G. Linn 12
DERRICK
MOTORMAN G. Simpson 12
FLOORMAN
FLOORMAN
FIREMAN

TALLY

BIT RECORD

No.	LENGTH	BIT No.
STANDS		SIZE
SINGLE		MAKE
D.C.'s		TYPE
		SERIAL
		JET SIZE
		FROM
		TO
KELLY IN		FOOTAGE
TOTAL		HRS.
RATHOLETOP		COND.

REMARKS AND INJURIES:

CONTRACTOR'S TIME

CO's. TIME

8 - 4 TOUR

FROM TO FOOTAGE HRS. SIZE

Tour 2 8 A.M. to 4 P.M. Hrs.

DRILLED
REAMED
CORED

DRILLER
DERRICK
MOTORMAN
FLOORMAN
FLOORMAN
FIREMAN

TALLY

BIT RECORD

No.	LENGTH	BIT No.
STANDS		SIZE
SINGLE		MAKE
D.C.'s		TYPE
		SERIAL
		JET SIZE
		FROM
		TO
KELLY IN		FOOTAGE
TOTAL		HRS.
RATHOLETOP		COND.

REMARKS AND INJURIES:

CONTRACTOR'S TIME

CO's. TIME

4 - 12 TOUR

FROM TO FOOTAGE HRS. SIZE

Tour 3 4 P.M. to Midnite Hrs.

DRILLED
REAMED
CORED

DRILLER
DERRICK
MOTORMAN
FLOORMAN
FLOORMAN
FIREMAN

TALLY

BIT RECORD

No.	LENGTH	BIT No.
STANDS		SIZE
SINGLE		MAKE
D.C.'s		TYPE
		SERIAL
		JET SIZE
		FROM
		TO
KELLY IN		FOOTAGE
TOTAL		HRS.
RATHOLETOP		COND.

REMARKS AND INJURIES:

MIN.

EQUIPMENT FAILURES

TIME LOST

TON MILE

TOOL PUSHER:

[Signature]

APPROVED:

[Signature]

CALGARY OFFICE

SOCONY MOBIL OIL OF CANADA, LTD.

DAILY DRILLING REPORT

FIELD or AREA: Yukon WELL NAME & No. BIRCH No 1 CONTRACTOR YARLER DALL Co. 0

TIME	MUD RECORD				BIT WT. M	TABLE RPM	PUMP		DEVIATION		START	STOP	HRS.	WORK RECORD	12-8 TOUR
	WT.	VISC.	W.L.	F.C.			SPM	PRESS	DEPTH	DEG.					
2 A.M.											9:30	8:30	1	TRAVEL TO PARKIN HIA FOR DAIL PIPE & SLIPS FOR PILING RIG.	
4 A.M.											8:30	9:30	1	TRAVEL TO BIRCH LOCATION	
6 A.M.											9:20	10:30	1	SERVICE AND START UNITS	
8 A.M.											10:30	1:30	3	RIG UP TO DAIL MIDGE HOLE	
											1:30	3:20	2	DAIL 9 7/8" MIDGE HOLE	
											3:30	5:30	2	TRY TO BREAK SUBS TO CHANGE OVER TO 9" HOLE	
											5:30	6:30	1	CHANGE OIL IN IHC 190 HHP WAKASHI COMPRESSOR	
											6:30	7:30	1	RETURN TO CAMP	
LINER SIZE: _____ STROKE _____ MUD & CHEMICALS _____ LBS. Added: _____ KIND _____												12			

TIME	MUD RECORD				BIT WT. M	TABLE RPM	PUMP		DEVIATION		START	STOP	HRS.	DRILLER: <u>W. Hinson</u>	CONTRACTOR'S TIME	CO'S TIME
	WT.	VISC.	W.L.	F.C.			SPM	PRESS	DEPTH	DEG.						
10 A.M.																
NOON																
2 P.M.																
4 P.M.																
LINER SIZE: _____ STROKE _____ MUD & CHEMICALS _____ LBS. Added: _____ KIND _____												8-4 TOUR				

TIME	MUD RECORD				BIT WT. M	TABLE RPM	PUMP		DEVIATION		START	STOP	HRS.	DRILLER:	CONTRACTOR'S TIME	CO'S TIME
	WT.	VISC.	W.L.	F.C.			SPM	PRESS	DEPTH	DEG.						
6 P.M.																
8 P.M.																
10 P.M.																
12 P.M.																
LINER SIZE: _____ STROKE _____ MUD & CHEMICALS _____ LBS. Added: _____ KIND _____ LBS. ON HAND _____												4-12 TOUR				

CASING TESTED TO: _____ PSI. MIN. FORMATION TESTED _____ PSI. MIN. EQUIPMENT FAILURES _____
 RIG FUEL CONSUMPTION _____ GALS BOILER FUEL CONSUMPTION _____ WIRELINE TON MILE _____ TOOL PUSHER: R. P. ...

BIL OIL OF CANADA, LTD.

DATE 18
MARCH 30/65

No. 18 DAILY TIME SHEET

DRILLING REPORT

CONTRACTOR PARKER DALE Co. of CAN

RIG No. PIPING DRILL

Well BIRCH No 1

SUCONY MUD BIT OIL
Approved _____ Date _____

WORK RECORD

12 - 8 TOUR

FROM TO FOOTAGE HRS. SIZE

Tour 1 Midnite to 8 A.M. Hrs.

IN AIR FOR DRILL PIPE & SLIPS FOR
PIPING RIG.

DRILLED
REAMED
CORED

DRILLER W. GILMAN 12

DERRICK

MOTORMAN G. SIMPSON 12

FLOORMAN

FLOORMAN

FIREMAN

LOCATION

RT UNITS

MOUSE HOLE

USE HOLE

485 TO CHANGE OVER TO 9" HOLE

1HC 190 AND WAKASHU COMPRESSOR

TALLY

BIT RECORD

No.	LENGTH	BIT No.
STANDS	SIZE	
SINGLE	MAKE	
D.C.'s	TYPE	
	SERIAL	
	JET SIZE	
	FROM	
	TO	
KELLY IN	FOOTAGE	
TOTAL	HRS.	
RAT HOLE TOP	COND.	

REMARKS AND INJURIES:

CONTRACTOR'S TIME

CO'S TIME

8 - 4 TOUR

FROM TO FOOTAGE HRS. SIZE

Tour 2 8 A.M. to 4 P.M. Hrs.

DRILLED
REAMED
CORED

DRILLER

DERRICK

MOTORMAN

FLOORMAN

FLOORMAN

FIREMAN

TALLY

BIT RECORD

No.	LENGTH	BIT No.
STANDS	SIZE	
SINGLE	MAKE	
D.C.'s	TYPE	
	SERIAL	
	JET SIZE	
	FROM	
	TO	
KELLY IN	FOOTAGE	
TOTAL	HRS.	
RAT HOLE TOP	COND.	

REMARKS AND INJURIES:

CONTRACTOR'S TIME

CO'S TIME

4 - 12 TOUR

FROM TO FOOTAGE HRS. SIZE

Tour 3 4 P.M. to Midnite Hrs.

DRILLED
REAMED
CORED

DRILLER

DERRICK

MOTORMAN

FLOORMAN

FLOORMAN

FIREMAN

TALLY

BIT RECORD

No.	LENGTH	BIT No.
STANDS	SIZE	
SINGLE	MAKE	
D.C.'s	TYPE	
	SERIAL	
	JET SIZE	
	FROM	
	TO	
KELLY IN	FOOTAGE	
TOTAL	HRS.	
RAT HOLE TOP	COND.	

REMARKS AND INJURIES:

MIN. EQUIPMENT FAILURES

TIME LOST

TON MILE

TOOL PUSHER: R. Purcell

APPROVED: M. Graham

CALGARY OFFICE

SOCONY MOBIL OIL OF CANADA, LTD.

DAILY DRILLING REPORT

FIELD or AREA: YUKON WELL NAME & No. BIRCH No 1 CONTRACTOR PINKER DRILLING CO.

TIME	MUD RECORD				BIT WT. M	TABLE RPM	PUMP		DEVIATION		START	STOP	HRS.	WORK RECORD	12 - 8 TOUR					
	WT.	VISC.	W.L.	F.C.			SPM	PRESS	DEPTH	DEG.										
2 A.M.											7:30	8:00	8-1/2	LOAD GAS & PICK UP BITS.						
4 A.M.											8:00	9:00	1	TRAVEL TO BIRCH LOC.						
6 A.M.											9:00	9:30	1/2	SERVICE UNITS						
8 A.M.											9:30	10:00	1/2	TAKE KELLY LINE OFF AND PUT ON SUCK LINE						
											10:00	11:30	1 1/2	PUT PILING IN HOLES						
											11:30	11:30	5	CEMENT PILING.						
											11:30	5:00	1/2	CHANGE KELL LINE BACK OVER TO KELLY						
											5:00	8:30	3 1/2	DRILL 9 1/8" PILING HOLES						
											8:30	9:30	1	RETURN TO Camp.						
LINER SIZE: _____ STROKE _____ MUD & CHEMICALS _____ LBS. Added: _____ KIND _____													BOP Tested _____		DRILLER: <u>W. J. J. J.</u>		CONTRACTOR'S TIME _____		CO'S TIME _____	

15 FINISH DRILL PILING HOLES ON MARCH 29th/65 @ 8:30 P.M. LOC. BIRCH No 1

TIME	MUD RECORD				BIT WT. M	TABLE RPM	PUMP		DEVIATION		START	STOP	HRS.	WORK RECORD	8 - 4 TOUR					
	WT.	VISC.	W.L.	F.C.			SPM	PRESS	DEPTH	DEG.										
10 A.M.														Used 80 sacks cement. 3 sacks Calcium Chloride } at piling. 3 sacks gel.						
NOON																				
2 P.M.																				
4 P.M.																				
LINER SIZE: _____ STROKE _____ MUD & CHEMICALS _____ LBS. Added: _____ KIND _____													BOP Tested _____		DRILLER: _____		CONTRACTOR'S TIME _____		CO'S TIME _____	

TIME	MUD RECORD				BIT WT. M	TABLE RPM	PUMP		DEVIATION		START	STOP	HRS.	WORK RECORD	4 - 12 TOUR					
	WT.	VISC.	W.L.	F.C.			SPM	PRESS	DEPTH	DEG.										
6 P.M.																				
8 P.M.																				
10 P.M.																				
12 P.M.																				
LINER SIZE: _____ STROKE _____ MUD & CHEMICALS _____ LBS. Added: _____ KIND _____ LBS. ON HAND _____													BOP Tested _____		DRILLER: _____		CONTRACTOR'S TIME _____		CO'S TIME _____	

CASING TESTED TO: _____ PSI. MIN. FORMATION TESTED _____ PSI. MIN. EQUIPMENT FAILURES _____
 RIG FUEL CONSUMPTION _____ GALS BOILER FUEL CONSUMPTION _____ GALS WIRELINE TON MILE _____ COOL PUSHER: R. J. J.

PETROBRIL OIL OF CANADA, LTD.

DATE MARCH 29/65

No. 17 DAILY TIME SHEET

LOGGING REPORT

Well BIRCH #1
SAGONY MOBIL OIL

CONTRACTOR PARKER DRILL CO OF CAN. RIG No. PILING DRILL

Approved _____ Date _____

WORK RECORD

12 - 8 TOUR

FROM TO FOOTAGE HRS. SIZE

Tour 1 Midnite to 8 A.M. Hrs.

PICK UP BITS.
CH LOC.

DRILLED
REAMED
CORED

DRILLER W. Blimm 15

DERRICK

MOTORMAN G. Simpson 15

FLOORMAN

FLOORMAN

FIREMAN

LINE OFF AND PUT ON SUCH LINE

TALLY

BIT RECORD

HOLES

No. LENGTH
STANDS
SINGLE
D.C.'s

BIT No.
SIZE
MAKE
TYPE

SERIAL

JET SIZE

FROM

TO

FOOTAGE

HRS.

COND.

REMARKS AND INJURIES:

TIME BACK OVER TO KELLY
16 HOLES

APP.

PILING HOLES ON MARCH 29th/65
C. BIRCH No 1

CONTRACTOR'S TIME

CO'S TIME

RAT HOLE TOP

8 - 4 TOUR

FROM TO FOOTAGE HRS. SIZE

Tour 2 8 A.M. to 4 P.M. Hrs.

bags cement.

bags Calceum Chloride } at piling.
bags gel.

DRILLED
REAMED
CORED

DRILLER

DERRICK

MOTORMAN

FLOORMAN

FLOORMAN

FIREMAN

TALLY

BIT RECORD

No. LENGTH
STANDS
SINGLE
D.C.'s

BIT No.
SIZE
MAKE
TYPE

SERIAL

JET SIZE

FROM

TO

FOOTAGE

HRS.

COND.

REMARKS AND INJURIES:

CONTRACTOR'S TIME

CO'S TIME

RAT HOLE TOP

4 - 12 TOUR

FROM TO FOOTAGE HRS. SIZE

Tour 3 4 P.M. to Midnite Hrs.

DRILLED
REAMED
CORED

DRILLER

DERRICK

MOTORMAN

FLOORMAN

FLOORMAN

FIREMAN

TALLY

BIT RECORD

No. LENGTH
STANDS
SINGLE
D.C.'s

BIT No.
SIZE
MAKE
TYPE

SERIAL

JET SIZE

FROM

TO

FOOTAGE

HRS.

COND.

REMARKS AND INJURIES:

CONTRACTOR'S TIME

CO'S TIME

RAT HOLE TOP

IN

EQUIPMENT FAILURES

TIME LOST

ON MILF

COOL PUSHER:

R. Russell

APPROVED:

M. Graham

CALGARY OFFICE

SOCONY MOBIL OIL OF CANADA, LTD.

DAILY DRILLING REPORT

FIELD or AREA: *YUKON*

WELL NAME & No. *BIRCH No 1*

CONTRACTOR *PARKER DALG. Co. of C.*

TIME	MUD RECORD				BIT WT. M	TABLE RPM	PUMP		DEVIATION		START	STOP	HRS.	WORK RECORD		
	WT.	VISC.	W.L.	F.C.			SPM	PRESS	DEPTH	DEG.						
											7:30					
2 A.M.												9:30	2	TRAVEL TO PORCUPINE TO PICK UP MOBIL PICK-UP AND RETURN		
4 A.M.											9:30	10:30	1	TRAVEL TO BIRCH L.C.		
6 A.M.											10:30	12:30	2	SERVICE AND START UNITS		
8 A.M.											12:30	7:30	7	DRILL 9 1/2" PILING 1566		
											7:30	8:00	1	RETURN TO CAMP		
LINER SIZE: _____ STROKE _____											BOP Tested _____			DRILLER: <i>W. A. Lemme</i>	CONTRACTOR'S TIME _____	CO'S. TIME _____
MUD & CHEMICALS																
LBS. Added _____ KIND _____																

TIME	MUD RECORD				BIT WT. M	TABLE RPM	PUMP		DEVIATION		START	STOP	HRS.	WORK RECORD		
	WT.	VISC.	W.L.	F.C.			SPM	PRESS	DEPTH	DEG.						
10 A.M.																
NOON																
2 P.M.																
4 P.M.																
LINER SIZE: _____ STROKE _____											BOP Tested _____			DRILLER: _____	CONTRACTOR'S TIME _____	CO'S. TIME _____
MUD & CHEMICALS																
LBS. Added _____ KIND _____																

TIME	MUD RECORD				BIT WT. M	TABLE RPM	PUMP		DEVIATION		START	STOP	HRS.	WORK RECORD		
	WT.	VISC.	W.L.	F.C.			SPM	PRESS	DEPTH	DEG.						
6 P.M.																
8 P.M.																
10 P.M.																
12 P.M.																
LINER SIZE: _____ STROKE _____											BOP Tested _____			DRILLER: _____	CONTRACTOR'S TIME _____	CO'S. TIME _____
MUD & CHEMICALS																
LBS. Added _____ KIND _____											LBS. _____	ON HAND _____				

CASING TESTED TO: _____ PSI. MIN. _____ FORMATION TESTED _____ PSI. MIN. _____ EQUIPMENT FAILURES _____
 RIG FUEL CONSUMPTION _____ GALS _____ BOILER FUEL CONSUMPTION _____ GALS _____ WIRELINE TON MILE _____ TOOL PUSHER: *W. A. Lemme*

PETROBRAS OIL OF CANADA, LTD.

DATE 28

No. 16 DAILY TIME SHEET

LOGGING REPORT

No. 15

Well BIRCH #1

SOLUNY MOBILE 044

CONTRACTOR PARKER DALE Co of Can.

RIG No. PILING DRILL

Approved

Date

WORK RECORD

12 - 8 TOUR

FROM TO FOOTAGE HRS. SIZE

Tour 1 Midnite to 8 A.M. Hrs.

WIPING TO PICK UP MOBIL PICK-UP

DRILLED
REAMED
CORED

DRILLER W. Blinn 13

DERRICK

MOTORMAN B. Simpson 13

FLOORMAN

FLOORMAN

FIREMAN

H LUG
TART UNITS
HOLLS

TALLY

BIT RECORD

No. LENGTH
STANDS
SINGLE
D.C. s

BIT No. 13
SIZE 9 1/2
MAKE H.W.
TYPE C.W.V.
SERIAL 57585

JET SIZE
FROM

TO

FOOTAGE

HRS.

COND.

REMARKS AND INJURIES:

CONTRACTOR'S TIME

CO'S TIME

RATHOLE TOP

8 - 4 TOUR

FROM TO FOOTAGE HRS. SIZE

Tour 2 8 A.M. to 4 P.M. Hrs.

DRILLED
REAMED
CORED

DRILLER

DERRICK

MOTORMAN

FLOORMAN

FLOORMAN

FIREMAN

TALLY

BIT RECORD

No. LENGTH
STANDS
SINGLE
D.C. s

BIT No.

SIZE

MAKE

TYPE

SERIAL

JET SIZE

FROM

TO

FOOTAGE

HRS.

COND.

REMARKS AND INJURIES:

CONTRACTOR'S TIME

CO'S TIME

RATHOLE TOP

4 - 12 TOUR

FROM TO FOOTAGE HRS. SIZE

Tour 3 4 P.M. to Midnite Hrs.

DRILLED
REAMED
CORED

DRILLER

DERRICK

MOTORMAN

FLOORMAN

FLOORMAN

FIREMAN

TALLY

BIT RECORD

No. LENGTH
STANDS
SINGLE
D.C. s

BIT No.

SIZE

MAKE

TYPE

SERIAL

JET SIZE

FROM

TO

FOOTAGE

HRS.

COND.

REMARKS AND INJURIES:

CONTRACTOR'S TIME

CO'S TIME

RATHOLE TOP

IN.

EQUIPMENT FAILURES

TIME LOST

ON MILE

TOOL PUSHER: *Winnell*

APPROVED: *M. Graham*

CALGARY OFFICE

SOCONY MOBIL OIL OF CANADA, LTD.

DAILY DRILLING REPORT

FIELD or AREA: V 4 MON

WELL NAME & No. BIRCH LOC.

CONTRACTOR MANLER DRILLING CO. OF C.

WORK RECORD

12 - 8 TOUR

TIME	MUD RECORD				BIT WT. M	TABLE RPM	PUMP		DEVIATION		START	STOP	HRS.
	WT.	VISC.	W.L.	F.C.			SPM	PRESS	DEPTH	DEG.			
2 A.M.											7:30	8:00	1/2
4 A.M.											8:00	9:00	1
6 A.M.											9:00	10:00	1
8 A.M.											10:00	7:30	9 1/2
											7:30	8:30	1

LOAD FUEL
 TRAVEL TO BIRCH LOC.
 SERVICE AND START UNITS
 DRILL 9 1/2 PILING HOLES
 RETURN TO Camp

13

LINER SIZE:		STROKE	
MUD & CHEMICALS			
LBS. Added	KIND		

BOP Tested

DRILLER: W. J. Green

CONTRACTOR'S TIME

CO'S TIME

TIME	MUD RECORD				BIT WT. M	TABLE RPM	PUMP		DEVIATION		START	STOP	HRS.
	WT.	VISC.	W.L.	F.C.			SPM	PRESS	DEPTH	DEG.			
10 A.M.													
NOON													
2 P.M.													
4 P.M.													

8 - 4 TOUR

LINER SIZE:		STROKE	
MUD & CHEMICALS			
LBS. Added	KIND		

BOP Tested

DRILLER:

CONTRACTOR'S TIME

CO'S TIME

TIME	MUD RECORD				BIT WT. M	TABLE RPM	PUMP		DEVIATION		START	STOP	HRS.
	WT.	VISC.	W.L.	F.C.			SPM	PRESS	DEPTH	DEG.			
6 P.M.													
8 P.M.													
10 P.M.													
12 P.M.													

4 - 12 TOUR

LINER SIZE:		STROKE	
MUD & CHEMICALS			
LBS. Added	KIND	LBS.	ON HAND

BOP Tested

DRILLER:

CONTRACTOR'S TIME

CO'S TIME

CASING TESTED TO:

PSI. MIN.

FORMATION TESTED

PSI. MIN.

EQUIPMENT FAILURES

RIG FUEL CONSUMPTION

GALS

BOILER FUEL CONSUMPTION

GALS

WIRELINE TON MILE

TOOL PUSHER: Reference

PIL OIL OF CANADA, LTD.

DATE MARCH 27 13

No. 15 DAILY TIME SHEET
Well Secondary Mobile 514
BIACH No 1

LOGGING REPORT

CONTRACTOR PARLER DRILLING CO. OF CAN.

RIG No. PILING RIG.

Approved _____ Date _____

WORK RECORD

12 - 8 TOUR

FROM TO FOOTAGE HRS. SIZE

Tour 1 Midnite to 8 A.M. Hrs.

*L.C.
PART UNITS
HOLES
P*

DRILLED
REAMED
CORED

DRILLER
DERRICK
MOTORMAN
FLOORMAN
FLOORMAN
FIREMAN

*w/ Glimm 13
B. Simpson 13*

TALLY

BIT RECORD

No. LENGTH
STANDS
SINGLE
D.C.'s

BIT No. 12
SIZE 9 1/2
MAKE H.W.
TYPE OHV
SERIAL 54585

REMARKS AND INJURIES:

CONTRACTOR'S TIME

CO's TIME

RAT HOLE TOP

COND.

8 - 4 TOUR

FROM TO FOOTAGE HRS. SIZE

Tour 2 8 A.M. to 4 P.M. Hrs.

DRILLED
REAMED
CORED

DRILLER
DERRICK
MOTORMAN
FLOORMAN
FLOORMAN
FIREMAN

TALLY

BIT RECORD

No. LENGTH
STANDS
SINGLE
D.C.'s

BIT No.
SIZE
MAKE
TYPE
SERIAL
JET SIZE
FROM
TO
FOOTAGE
HRS.
COND.

REMARKS AND INJURIES:

CONTRACTOR'S TIME

CO's TIME

RAT HOLE TOP

COND.

4 - 12 TOUR

FROM TO FOOTAGE HRS. SIZE

Tour 3 4 P.M. to Midnite Hrs.

DRILLED
REAMED
CORED

DRILLER
DERRICK
MOTORMAN
FLOORMAN
FLOORMAN
FIREMAN

TALLY

BIT RECORD

No. LENGTH
STANDS
SINGLE
D.C.'s

BIT No.
SIZE
MAKE
TYPE
SERIAL
JET SIZE
FROM
TO
FOOTAGE
HRS.
COND.

REMARKS AND INJURIES:

CONTRACTOR'S TIME

CO's TIME

RAT HOLE TOP

COND.

MIN.

EQUIPMENT FAILURES

TIME LOST

ON MILE

TOOL PUSHER: *[Signature]*

APPROVED: *[Signature]*

CALGARY OFFICE

141

SOCONY MOBIL OIL OF CANADA, LTD.

DAILY DRILLING REPORT

FIELD or AREA: VUKON

WELL NAME & No. BIRCH Loc.

CONTRACTOR PARALLEL DRILL CO. LTD.

TIME	MUD RECORD				BIT WT. M	TABLE RPM	PUMP		DEVIATION		START	STOP	HRS.	WORK RECORD
	WT.	VISC.	W.L.	F.C.			SPM	PRESS	DEPTH	DEG.				
											7:30	8:00	1/2	LOAD FUEL
2 A.M.											8:00	9:00	1	TRAVEL TO BIRCH LOC.
4 A.M.											9:00	10:00	1	SERVICE & START UNITS
6 A.M.											10:00	7:30	9 1/2	DRILL 9 1/2" PLUG HOLES
8 A.M.											7:30	8:30	1	TRAVEL BACK TO CAMP

12-8 TOUR

LINER SIZE: STROKE

13

MUD & CHEMICALS

LBS. Added: KIND

BOP Tested

DRILLER: W. Adams

CONTRACTOR'S TIME

CO'S TIME

TIME	MUD RECORD				BIT WT. M	TABLE RPM	PUMP		DEVIATION		START	STOP	HRS.	WORK RECORD
	WT.	VISC.	W.L.	F.C.			SPM	PRESS	DEPTH	DEG.				
10 A.M.														
NOON														
2 P.M.														
4 P.M.														

8-4 TOUR

LINER SIZE: STROKE

MUD & CHEMICALS

LBS. Added: KIND

BOP Tested

DRILLER:

CONTRACTOR'S TIME

CO'S TIME

TIME	MUD RECORD				BIT WT. M	TABLE RPM	PUMP		DEVIATION		START	STOP	HRS.	WORK RECORD
	WT.	VISC.	W.L.	F.C.			SPM	PRESS	DEPTH	DEG.				
6 P.M.														
8 P.M.														
10 P.M.														
12 P.M.														

4-12 TOUR

LINER SIZE: STROKE

MUD & CHEMICALS

LBS. Added: KIND LBS. ON HAND

BOP Tested

DRILLER:

CONTRACTOR'S TIME

CO'S TIME

CASING TESTED TO:

PSI. MIN.

FORMATION TESTED

PSI. MIN.

EQUIPMENT FAILURES

RIG FUEL CONSUMPTION

GALS

BOILER FUEL CONSUMPTION

GALS

WIRELINE TON MILE

TOOL PUSHER:

Adams

IL OIL OF CANADA, LTD.

DATE _____

No. 14 DAILY TIME SHEET

ING REPORT

MARCH 26

No. 14

Well BIRCH #1

SAGDARY MOBIL OIL

CONTRACTOR PARMER DRILL CO. OF CAN.

RIG No. _____

Approved _____

Date _____

WORK RECORD

12 - 8 TOUR

FROM TO FOOTAGE HRS. SIZE

Tour 1 Midnite to 8 A.M. Hrs.

Loc.
UNITS
HOLLS
Camp

DRILLED
REAMED
CORED

DRILLER W. Blinn 13
DERRICK
MOTORMAN B Simpson 13
FLOORMAN
FLOORMAN
FIREMAN

TALLY

BIT RECORD

No. LENGTH BIT No.
STANDS SIZE
SINGLE MAKE
D.C.'s TYPE
SERIAL
JET SIZE
FROM
TO
FOOTAGE
KELLY IN HRS.
TOTAL
RAT HOLE TOP COND.

REMARKS AND INJURIES:

CONTRACTOR'S TIME

CO'S TIME

8 - 4 TOUR

FROM TO FOOTAGE HRS. SIZE

Tour 2 8 A.M. to 4 P.M. Hrs.

DRILLED
REAMED
CORED

DRILLER
DERRICK
MOTORMAN
FLOORMAN
FLOORMAN
FIREMAN

TALLY

BIT RECORD

No. LENGTH BIT No.
STANDS SIZE
SINGLE MAKE
D.C.'s TYPE
SERIAL
JET SIZE
FROM
TO
FOOTAGE
KELLY IN HRS.
TOTAL
RAT HOLE TOP COND.

REMARKS AND INJURIES:

CONTRACTOR'S TIME

CO'S TIME

4 - 12 TOUR

FROM TO FOOTAGE HRS. SIZE

Tour 3 4 P.M. to Midnite Hrs.

DRILLED
REAMED
CORED

DRILLER
DERRICK
MOTORMAN
FLOORMAN
FLOORMAN
FIREMAN

TALLY

BIT RECORD

No. LENGTH BIT No.
STANDS SIZE
SINGLE MAKE
D.C.'s TYPE
SERIAL
JET SIZE
FROM
TO
FOOTAGE
KELLY IN HRS.
TOTAL
RAT HOLE TOP COND.

REMARKS AND INJURIES:

CONTRACTOR'S TIME

CO'S TIME

EQUIPMENT FAILURES

TIME LOST

ON MILE

TOOL PUSHER: Revised

APPROVED: W. Blinn

CALGARY, ALTA.

SOCONY MOBIL OIL OF CANADA, LTD.

DAILY DRILLING REPORT

13

FIELD or AREA: YUKON

WELL NAME & No. BIRCH Loc.

CONTRACTOR PARKER DRILL Co of Can.

TIME	MUD RECORD				BIT WT. M	TABLE RPM	PUMP		DEVIATION		START	STOP	HRS.
	WT.	VISC.	W.L.	F.C.			SPM	PRESS	DEPTH	DEG.			
2 A.M.											7:30	8:00	1/2
4 A.M.											8:00	9:00	1
6 A.M.											9:00	10:00	1
8 A.M.											10:00	8:00	10
											8:00	9:00	1

WORK RECORD

12-8 TOUR

LOAD FUEL
 TRAVEL TO BIRCH Loc.
 SERVICE AND START UNITS
 DRILL 9 1/2 PILING HOLES
 TRAVEL BACK TO Camp.

13 1/2

BOP Tested _____ DRILLER: W. Skinn CONTRACTOR'S TIME _____ CO'S TIME _____

TIME	MUD RECORD				BIT WT. M	TABLE RPM	PUMP		DEVIATION		START	STOP	HRS.
	WT.	VISC.	W.L.	F.C.			SPM	PRESS	DEPTH	DEG.			
10 A.M.													
NOON													
2 P.M.													
4 P.M.													

8-4 TOUR

BOP Tested _____ DRILLER: _____ CONTRACTOR'S TIME _____ CO'S TIME _____

TIME	MUD RECORD				BIT WT. M	TABLE RPM	PUMP		DEVIATION		START	STOP	HRS.
	WT.	VISC.	W.L.	F.C.			SPM	PRESS	DEPTH	DEG.			
6 P.M.													
8 P.M.													
10 P.M.													
12 P.M.													

4-12 TOUR

BOP Tested _____ DRILLER: _____ CONTRACTOR'S TIME _____ CO'S TIME _____

CASING TESTED TO:

PSI. MIN.

FORMATION TESTED

PSI. MIN.

EQUIPMENT FAILURES

RIG FUEL CONSUMPTION

GALS

BOILER FUEL CONSUMPTION

GALS

WIRELINE TON MILE

TOOL PUSHER:

Revised

L OIL OF CANADA, LTD.

DATE MARCH 25

No. 13 DAILY TIME SHEET

NG REPORT

Well BIRCH No. 1
SOLCONY MOBIL OIL

CONTRACTOR PARKER DRILL Co of CAN.

RIG No. PILING DRILL

Approved _____ Date _____

WORK RECORD

12 - 8 TOUR

FROM TO FOOTAGE HRS. SIZE

Tour 1 Midnite to 8 A.M. Hrs.

DRILLED
REAMED
CORED

DRILLER W. Glimm 13 1/2

DERRICK

MOTORMAN Gordon Simpson 13 1/2

FLOORMAN

FLOORMAN

FIREMAN

REMARKS AND INJURIES:

Loc.
PART UNITS
110665
Camp.

TALLY

BIT RECORD

No.

LENGTH

BIT No.

STANDS

SIZE

SINGLE

MAKE

D.C.'s

TYPE

SERIAL

JET SIZE

FROM

TO

FOOTAGE

KELLY IN

HRS.

TOTAL

COND.

RAT HOLE TOP

CONTRACTOR'S TIME

CO's TIME

8 - 4 TOUR

FROM TO FOOTAGE HRS. SIZE

Tour 2 8 A.M. to 4 P.M. Hrs.

DRILLED
REAMED
CORED

DRILLER

DERRICK

MOTORMAN

FLOORMAN

FLOORMAN

FIREMAN

REMARKS AND INJURIES:

CONTRACTOR'S TIME

CO's TIME

4 - 12 TOUR

FROM TO FOOTAGE HRS. SIZE

Tour 3 4 P.M. to Midnite Hrs.

DRILLED
REAMED
CORED

DRILLER

DERRICK

MOTORMAN

FLOORMAN

FLOORMAN

FIREMAN

REMARKS AND INJURIES:

IN.

EQUIPMENT FAILURES

TIME LOST

ON MILE

TOOL PUSHER:

APPROVED: *W. Graham*

CALGARY OFFICE

Revised

SOCONY MOBIL OIL OF CANADA, LTD.

DAILY DRILLING REPORT

FIELD or AREA: YUKON

WELL NAME & No. BIRCH LOC.

CONTRACTOR PARKER DRILLING Co. of Co.

WORK RECORD

12 - 8 TOUR

TIME	MUD RECORD				BIT WT. M	TABLE RPM	PUMP		DEVIATION		START	STOP	HRS.
	WT.	VISC.	W.L.	F.C.			SPM	PRESS	DEPTH	DEG.			
											7:30	8:00	1/2
2 A.M.											8:00	9:00	1
4 A.M.											9:00	10:00	1
6 A.M.											10:00	11:00	1
8 A.M.											11:00	12:00	1
											12:00	8:00	8
											8:00	9:00	1

LOAD FULL
 WORK ON MOBIL TRUCK
 TRAVEL TO BIRCH LOC.
 SERVICE AND START UNITS.
 STAKE OUT BOILER HOUSE
 DRILL 9 1/2" PILING HULLS
 TRAVEL BACK TO Camp.

LBS. Added: 13 1/2

BOP Tested

DRILLER: W. Glimmer CONTRACTOR'S TIME

CO'S TIME

TIME	MUD RECORD				BIT WT. M	TABLE RPM	PUMP		DEVIATION		START	STOP	HRS.
	WT.	VISC.	W.L.	F.C.			SPM	PRESS	DEPTH	DEG.			
10 A.M.													
NOON													
2 P.M.													
4 P.M.													

8 - 4 TOUR

BOP Tested

DRILLER:

CONTRACTOR'S TIME

CO'S TIME

TIME	MUD RECORD				BIT WT. M	TABLE RPM	PUMP		DEVIATION		START	STOP	HRS.
	WT.	VISC.	W.L.	F.C.			SPM	PRESS	DEPTH	DEG.			
6 P.M.													
8 P.M.													
10 P.M.													
12 P.M.													

4 - 12 TOUR

BOP Tested

DRILLER:

CONTRACTOR'S TIME

CO'S TIME

CASING TESTED TO:

PSI. MIN.

FORMATION TESTED

PSI. MIN.

EQUIPMENT FAILURES

RIG FUEL CONSUMPTION

GALS

BOILER FUEL CONSUMPTION

GALS

WIRELINE TON MILE

TOOL PUSHER

Handwritten notes

SOCONY MOBIL OIL OF CANADA, LTD.

DAILY DRILLING REPORT

FIELD or AREA: Vukon WELL NAME & No. BIRCH Loc. CONTRACTOR PARKER DRILLING Co. of A. C.

TIME	MUD RECORD				BIT WT. M	TABLE RPM	PUMP		DEVIATION		START	STOP	HRS.	WORK RECORD
	WT.	VISC.	W.L.	F.C.			SPM	PRESS	DEPTH	DEG.				
											4:30	8:30	1	TRAVEL TO BIRCH Loc.
2 A.M.											8:30	9:30	1	SER. and. START UNITS.
4 A.M.											9:30	6:30	9	DRILL 4 1/2" PILING HOLES
6 A.M.											6:30	7:30	1	PLACE PILING IN HOLES
8 A.M.											7:30	8:30	1	TRAVEL BACK TO Camp.
LINER SIZE: _____ STROKE _____											13			
MUD & CHEMICALS														
LBS. Added: _____ KIND _____														
BOP Tested _____											DRILLER: <u>W. Skinner</u>		CONTRACTOR'S TIME _____ CO'S. TIME _____	

TIME	MUD RECORD				BIT WT. M	TABLE RPM	PUMP		DEVIATION		START	STOP	HRS.	WORK RECORD
	WT.	VISC.	W.L.	F.C.			SPM	PRESS	DEPTH	DEG.				
10 A.M.														
NOON														
2 P.M.														
4 P.M.														
LINER SIZE: _____ STROKE _____														
MUD & CHEMICALS														
LBS. Added: _____ KIND _____														
BOP Tested _____											DRILLER: _____		CONTRACTOR'S TIME _____ CO'S. TIME _____	

TIME	MUD RECORD				BIT WT. M	TABLE RPM	PUMP		DEVIATION		START	STOP	HRS.	WORK RECORD
	WT.	VISC.	W.L.	F.C.			SPM	PRESS	DEPTH	DEG.				
6 P.M.														
8 P.M.														
10 P.M.														
12 P.M.														
LINER SIZE: _____ STROKE _____														
MUD & CHEMICALS														
LBS. Added: _____ KIND _____											LBS. _____		ON HAND _____	
BOP Tested _____											DRILLER: _____		CONTRACTOR'S TIME _____ CO'S. TIME _____	

CASING TESTED TO: _____ PSI. MIN. FORMATION TESTED _____ PSI. MIN. EQUIPMENT FAILURES _____

RIG FUEL CONSUMPTION _____ GALS BOILER FUEL CONSUMPTION _____ GALS WIRELINE TON MILE _____ TOOL PUSHER: Stowell

BIL OIL OF CANADA, LTD.

DATE MARCH 23.

No. 10 DAILY TIME SHEET 3-15

LOG REPORT

Well BIRCH #1
Approved SEEDNY MOBILE OIL OF CANA Date MARCH 23

CONTRACTOR PARKER DRIG. Co. of Can. RIG No. PIPING DRILL

WORK RECORD

12 - 8 TOUR

FROM TO FOOTAGE HRS. SIZE

Tour 1 Midnite to 8 A.M. Hrs.

2nd Loc.
4 UNITS.
2nd HOLES
1st HOLES
Camp.

DRILLED
REAMED
CORED

DRILLER W. G. Limm 13
DERRICK
MOTORMAN
FLOORMAN B. Simpson 13
FLOORMAN
FIREMAN

TALLY

BIT RECORD

No.	LENGTH	BIT No.
STANDS		SIZE
SINGLE		MAKE
D.C.'s		TYPE
		SERIAL
		JET SIZE
		FROM
		TO
KELLY IN		FOOTAGE
TOTAL		HRS.
RAT HOLE TOP		COND.

REMARKS AND INJURIES:

CONTRACTOR'S TIME

CO's TIME

8 - 4 TOUR

FROM TO FOOTAGE HRS. SIZE

Tour 2 8 A.M. to 4 P.M. Hrs.

DRILLED
REAMED
CORED

DRILLER
DERRICK
MOTORMAN
FLOORMAN
FLOORMAN
FIREMAN

TALLY

BIT RECORD

No.	LENGTH	BIT No.
STANDS		SIZE
SINGLE		MAKE
D.C.'s		TYPE
		SERIAL
		JET SIZE
		FROM
		TO
KELLY IN		FOOTAGE
TOTAL		HRS.
RAT HOLE TOP		COND.

REMARKS AND INJURIES:

CONTRACTOR'S TIME

CO's TIME

4 - 12 TOUR

FROM TO FOOTAGE HRS. SIZE

Tour 3 4 P.M. to Midnite Hrs.

DRILLED
REAMED
CORED

DRILLER
DERRICK
MOTORMAN
FLOORMAN
FLOORMAN
FIREMAN

TALLY

BIT RECORD

No.	LENGTH	BIT No.
STANDS		SIZE
SINGLE		MAKE
D.C.'s		TYPE
		SERIAL
		JET SIZE
		FROM
		TO
KELLY IN		FOOTAGE
TOTAL		HRS.
RAT HOLE TOP		COND.

REMARKS AND INJURIES:

MIN. EQUIPMENT FAILURES

TIME COST

TON MILE TOOL PUSHER: Attwell

APPROVED: M. Graham

CALGARY OFFICE

SOCONY MOBIL OIL OF CANADA, LTD.

DAILY DRILLING REPORT

FIELD or AREA: UKON WELL NAME & No. BIRCH LOC. CONTRACTOR PARKER DRILL CO. OF C.

TIME	MUD RECORD				BIT WT. M	TABLE RPM	PUMP		DEVIATION		START	STOP	HRS.	WORK RECORD
	WT.	VISC.	W.L.	F.C.			SPM	PRESS	DEPTH	DEG.				
2 A.M.											7:30	8:00	1/2	LOAD FUEL
4 A.M.											8:00	9:00	1	TRAVEL TO BIRCH LOC.
6 A.M.											9:00	10:00	1	SLR. & START UNITS
8 A.M.											10:00	1:00	3	DRILL 12 1/4 PILING HOLES
											1:00	6:30	5 1/2	STAKE OUT REMAINDER OF LEASE TO DRILL
											6:30	7:30	1	TRAVEL BACK TO CAMP.

LINER SIZE: _____ STROKE _____
 MUD & CHEMICALS _____
 LBS. Added: _____ KIND _____

BOP Tested _____ DRILLER: W. J. Linn CONTRACTOR'S TIME _____ CO'S. TIME _____

TIME	MUD RECORD				BIT WT. M	TABLE RPM	PUMP		DEVIATION		START	STOP	HRS.	WORK RECORD
	WT.	VISC.	W.L.	F.C.			SPM	PRESS	DEPTH	DEG.				
10 A.M.														
NOON														
2 P.M.														
4 P.M.														

LINER SIZE: _____ STROKE _____
 MUD & CHEMICALS _____
 LBS. Added: _____ KIND _____

BOP Tested _____ DRILLER: _____ CONTRACTOR'S TIME _____ CO'S. TIME _____

TIME	MUD RECORD				BIT WT. M	TABLE RPM	PUMP		DEVIATION		START	STOP	HRS.	WORK RECORD
	WT.	VISC.	W.L.	F.C.			SPM	PRESS	DEPTH	DEG.				
6 P.M.														
8 P.M.														
10 P.M.														
12 P.M.														

LINER SIZE: _____ STROKE _____
 MUD & CHEMICALS _____
 LBS. Added: _____ KIND _____ LBS. _____ ON HAND _____

BOP Tested _____ DRILLER: _____ CONTRACTOR'S TIME _____ CO'S. TIME _____

CASING TESTED TO: _____ PSI. MIN. FORMATION TESTED _____ PSI. MIN. EQUIPMENT FAILURES _____
 RIG FUEL CONSUMPTION _____ GALS BOILER FUEL CONSUMPTION _____ GALS WIRELINE TON MILE _____ TOOL PUSHER: W. J. Linn

BIL OIL OF CANADA, LTD.

DATE March 22

No. 10 DAILY TIME SHEET

DRILLING REPORT

CONTRACTOR PARKER DRILL CO. OF CAN. RIG No. PILING DRILL

No. 10

Well BIRCH No 1
SOCOMY MOBIL OIL OF C
Approved _____ Date MARCH 22

WORK RECORD

12 - 8 TOUR

FROM TO FOOTAGE HRS. SIZE

Tour 1 Midnite to 8 A.M. Hrs.

DRILLED
REAMED
CORED

DRILLER W. Gimm 12

DERRICK

MOTORMAN B. Simpson 12

FLOORMAN

FLOORMAN

FIREMAN

WH LOC.
UNITS
PILING HOLES
REMAINER OF LEASE TO DRILL
TO Camp.

TALLY

BIT RECORD

No.	LENGTH	BIT No.
STANDS		SIZE
SINGLE		MAKE
D.C.'s		TYPE
		SERIAL
		JET SIZE
		FROM
		TO
		FOOTAGE
		HRS.
		COND.

REMARKS AND INJURIES:

CONTRACTOR'S TIME

CO'S TIME

RAT HOLE TOP

8 - 4 TOUR

FROM TO FOOTAGE HRS. SIZE

Tour 2 8 A.M. to 4 P.M. Hrs.

DRILLED
REAMED
CORED

DRILLER

DERRICK

MOTORMAN

FLOORMAN

FLOORMAN

FIREMAN

TALLY

BIT RECORD

No.	LENGTH	BIT No.
STANDS		SIZE
SINGLE		MAKE
D.C.'s		TYPE
		SERIAL
		JET SIZE
		FROM
		TO
		FOOTAGE
		HRS.
		COND.

REMARKS AND INJURIES:

CONTRACTOR'S TIME

CO'S TIME

RAT HOLE TOP

4 - 12 TOUR

FROM TO FOOTAGE HRS. SIZE

Tour 3 4 P.M. to Midnite Hrs.

DRILLED
REAMED
CORED

DRILLER

DERRICK

MOTORMAN

FLOORMAN

FLOORMAN

FIREMAN

TALLY

BIT RECORD

No.	LENGTH	BIT No.
STANDS		SIZE
SINGLE		MAKE
D.C.'s		TYPE
		SERIAL
		JET SIZE
		FROM
		TO
		FOOTAGE
		HRS.
		COND.

REMARKS AND INJURIES:

CONTRACTOR'S TIME

CO'S TIME

RAT HOLE TOP

MIN. EQUIPMENT FAILURES

TIME LOST

TON MILE TOOL PUSHER: W. Gimm

APPROVED: W. Gimm

CALGARY OFFICE

SOCONY MOBIL OIL OF CANADA, LTD.

DAILY DRILLING REPORT

FIELD or AREA: YUKON

WELL NAME & No. BIRCH.

CONTRACTOR Kearney Drilling Co.

Kearney Drilling Co.

TIME	MUD RECORD				BIT WT. M	TABLE RPM	PUMP		DEVIATION		START	STOP	HRS.	WORK RECORD		
	WT.	VISC.	W.L.	F.C.			SPM	PRESS	DEPTH	DEG.						
2 A.M.											7:30	8:00	1/2	LOAD FUEL		
4 A.M.											8:00	9:00	1	TRAVEL TO BIRCH		
6 A.M.											9:00	10:00	1	SERVICE AND START UNITS.		
8 A.M.											10:00	7:30	9 1/2	DRILL 12 1/4" PILING HOLES		
											7:30	8:30	1	TRAVEL BACK TO Camp		
LINER SIZE: _____ STROKE _____											13					
MUD & CHEMICALS																
LBS. Added		KIND									BOP Tested			DRILLER:	CONTRACTOR'S TIME	CO's. TIME

TIME	MUD RECORD				BIT WT. M	TABLE RPM	PUMP		DEVIATION		START	STOP	HRS.	WORK RECORD		
	WT.	VISC.	W.L.	F.C.			SPM	PRESS	DEPTH	DEG.						
10 A.M.																
NOON																
2 P.M.																
4 P.M.																
LINER SIZE: _____ STROKE _____																
MUD & CHEMICALS																
LBS. Added		KIND									BOP Tested			DRILLER:	CONTRACTOR'S TIME	CO's. TIME

TIME	MUD RECORD				BIT WT. M	TABLE RPM	PUMP		DEVIATION		START	STOP	HRS.	WORK RECORD	
	WT.	VISC.	W.L.	F.C.			SPM	PRESS	DEPTH	DEG.					
6 P.M.															
8 P.M.															
10 P.M.															
12 P.M.															
LINER SIZE: _____ STROKE _____															
MUD & CHEMICALS															
LBS. Added		KIND			LBS.		ON HAND			BOP Tested			DRILLER:	CONTRACTOR'S TIME	CO's. TIME

CASING TESTED TO: _____ PSI. MIN. FORMATION TESTED _____ PSI. MIN. EQUIPMENT FAILURES _____

RIG FUEL CONSUMPTION _____ GALS BOILER FUEL CONSUMPTION _____ GALS WIRELINE TON MILE _____ TOOL PUSHER: K. Russell

PETROBRAS OIL OF CANADA, LTD.

DATE March 28

No. 9 DAILY TIME SHEET

LOGGING REPORT

CONTRACTOR

Pankey Drilling Co. of Canada RIG No. Pilkey Drill

No. 9

Well Finch #1

Socury Mobil Oil of Can

Approved

Date Mar 21/64

WORK RECORD

12 - 8 TOUR

FROM TO FOOTAGE HRS. SIZE

Tour 1 Midnite to 8 A.M. Hrs.

DRILLED
REAMED
CORED

DRILLER 1st. Blimm 13

DERRICK

MOTORMAN George Simpson 13a

FLOORMAN

FLOORMAN

FIREMAN

TALLY

BIT RECORD

No. LENGTH STANDS SINGLE D.C.'s

BIT No. 7 8
SIZE 12 1/4 "
MAKE OWC 0503
TYPE
SERIAL 38926 47651
JET SIZE
FROM
TO
FOOTAGE
HRS.
COND.

REMARKS AND INJURIES:

CH
START UNITS.
LINE HOLES
To Camp

CONTRACTOR'S TIME

CO'S TIME

RAT HOLE TOP

8 - 4 TOUR

FROM TO FOOTAGE HRS. SIZE

Tour 2 8 A.M. to 4 P.M. Hrs.

DRILLED
REAMED
CORED

DRILLER

DERRICK

MOTORMAN

FLOORMAN

FLOORMAN

FIREMAN

TALLY

BIT RECORD

No. LENGTH STANDS SINGLE D.C.'s

BIT No.
SIZE
MAKE
TYPE
SERIAL
JET SIZE
FROM
TO
FOOTAGE
HRS.
COND.

REMARKS AND INJURIES:

CONTRACTOR'S TIME

CO'S TIME

RAT HOLE TOP

4 - 12 TOUR

FROM TO FOOTAGE HRS. SIZE

Tour 3 4 P.M. to Midnite Hrs.

DRILLED
REAMED
CORED

DRILLER

DERRICK

MOTORMAN

FLOORMAN

FLOORMAN

FIREMAN

TALLY

BIT RECORD

No. LENGTH STANDS SINGLE D.C.'s

BIT No.
SIZE
MAKE
TYPE
SERIAL
JET SIZE
FROM
TO
FOOTAGE
HRS.
COND.

REMARKS AND INJURIES:

CONTRACTOR'S TIME

CO'S TIME

RAT HOLE TOP

EQUIPMENT FAILURES

TIME LOST

TOOL PUSHER: Russell

APPROVED: M. Graham

CALGARY OFFICE

PETROBRAS OIL OF CANADA, LTD.

DATE *March 20/65*

No. *8* DAILY TIME SHEET 136

LOGGING REPORT

CONTRACTOR *Lumber Drilling Co. Can.*

RIG No. *Piling Drill*

No. *8*

Well *Birch #1*

Socomec Mobil Oil

Approved

Date *Mar 20/65*

WORK RECORD

12 - 8 TOUR

FROM TO FOOTAGE HRS. SIZE

Tour 1 Midnite to 8 A.M. Hrs.

LOCATION
PART UNITS
LINE HULLS
PARKIN FOR ROTHY REPAIRS
LINE HULLS
TO Camp.

DRILLED
REAMED
CORED

DRILLER *W. Graham* 13 1/2
DERRICK
MOTORMAN *G. Simpson* 13 1/2
FLOORMAN
FLOORMAN
FIREMAN

TALLY BIT RECORD

No. LENGTH BIT No.
STANDS SIZE
SINGLE MAKE
D.C.'s TYPE
SERIAL
JET SIZE
FROM
TO
FOOTAGE
HRS.
COND.

REMARKS AND INJURIES:

*OIL IN BLUE BRUTE Comp.
AND IHC 190*

CONTRACTOR'S TIME

CO's TIME

RAT HOLE TOP

8 - 4 TOUR

FROM TO FOOTAGE HRS. SIZE

Tour 2 8 A.M. to 4 P.M. Hrs.

DRILLED
REAMED
CORED

DRILLER
DERRICK
MOTORMAN
FLOORMAN
FLOORMAN
FIREMAN

TALLY BIT RECORD

No. LENGTH BIT No.
STANDS SIZE
SINGLE MAKE
D.C.'s TYPE
SERIAL
JET SIZE
FROM
TO
FOOTAGE
HRS.
COND.

REMARKS AND INJURIES:

CONTRACTOR'S TIME

CO's TIME

RAT HOLE TOP

4 - 12 TOUR

FROM TO FOOTAGE HRS. SIZE

Tour 3 4 P.M. to Midnite Hrs.

DRILLED
REAMED
CORED

DRILLER
DERRICK
MOTORMAN
FLOORMAN
FLOORMAN
FIREMAN

TALLY BIT RECORD

No. LENGTH BIT No.
STANDS SIZE
SINGLE MAKE
D.C.'s TYPE
SERIAL
JET SIZE
FROM
TO
FOOTAGE
HRS.
COND.

REMARKS AND INJURIES:

EQUIPMENT FAILURES

TIME LOST

TOOL PUSHER: *R. Russell*

APPROVED: *W. Graham*

CALGARY OFFICE

SOCONY MOBIL OIL OF CANADA, LTD.

DAILY DRILLING REPORT

FIELD or AREA: 1/4KON

WELL NAME & No. BIRCH

CONTRACTOR

Parker Drilling Co

TIME	MUD RECORD				BIT WT. M	TABLE RPM	PUMP		DEVIATION		START	STOP	HRS.
	WT.	VISC.	W.L.	F.C.			SPM	PRESS	DEPTH	DEG.			
2 A.M.											7:30	8:30	1
4 A.M.											8:30	9:30	1
6 A.M.											9:30	10:00	1/2
8 A.M.											10:00	2:00	4
											2:00	2:30	1/2
											2:30	6:00	3 1/2
											6:00	6:30	1/2
											6:30	8:00	1 1/2
											8:00	9:00	1

WORK RECORD

12-8 TOUR

TRAVEL TO BIRCH
 SERVICE AND START UNITS
 INSTALL BEAR BOX
 DRILL 12 1/4" PILING HULLS
 CHANGE BITS.
 DRILL
 REPAIR ROTARY
 DAIL.
 RETURN TO Camp.

13 1/2

TIME	MUD RECORD				BIT WT. M	TABLE RPM	PUMP		DEVIATION		START	STOP	HRS.
	WT.	VISC.	W.L.	F.C.			SPM	PRESS	DEPTH	DEG.			
10 A.M.													
NOON													
2 P.M.													
4 P.M.													

DRILLER: W. G. Lima

CONTRACTOR'S TIME

CO'S TIME

8-4 TOUR

NOTE:

BITS USED ON BIRCH LOC NO. 01. MAR. 19/65.

TYPE	SER
1) 12 1/4 OSC	47654
2) 12 1/4 OSC	47653
3) 12 1/4 DWV	47013
4) 12 1/4 OSC	47650
5) 9 1/2 OSC	98437
6) 9 1/2 DWV	57637

ALL BITS LOCKED.

TIME	MUD RECORD				BIT WT. M	TABLE RPM	PUMP		DEVIATION		START	STOP	HRS.
	WT.	VISC.	W.L.	F.C.			SPM	PRESS	DEPTH	DEG.			
6 P.M.													
8 P.M.													
10 P.M.													
12 P.M.													

DRILLER:

CONTRACTOR'S TIME

CO'S TIME

4-12 TOUR

CASING TESTED TO:

PSI. MIN.

FORMATION TESTED

PSI. MIN.

EQUIPMENT FAILURES

RIG FUEL CONSUMPTION

GALS

BOILER FUEL CONSUMPTION

GALS

WIRELINE TON MILE

TOOL PUSHER:

[Handwritten signature]

IL OIL OF CANADA, LTD.

DATE MARCH 19/65

No. _____ DAILY TIME SHEET 135

ING REPORT

Well Birch #1
Security Mobil Oil of Can
Approved _____ Date Mar 19/65

CONTRACTOR Pankey Drilling Co. Can Ltd. No. 7 Piling Drill

WORK RECORD

12 - 8 TOUR

FROM TO FOOTAGE HRS. SIZE

Tour 1 Midnite to 8 A.M. Hrs.

ACH
PART UNITS
BOX
LING HULLS

DRILLED
REAMED
CORED

DRILLER W. Blinn 13 1/2
DERRICK
MOTORMAN G Simpson 13 1/2
FLOORMAN
FLOORMAN
FIREMAN

TALLY

BIT RECORD

No. LENGTH BIT No.
STANDS SIZE
SINGLE MAKE
D.C.'s TYPE
SERIAL
JET SIZE
FROM
TO
FOOTAGE
KELLY IN
TOTAL HRS.
RAT HOLE TOP COND.

REMARKS AND INJURIES:

CONTRACTOR'S TIME

CO's TIME

8 - 4 TOUR

FROM TO FOOTAGE HRS. SIZE

Tour 2 8 A.M. to 4 P.M. Hrs.

BIRCH LOC AS OF MAR. 19/65.

Type SER
SC 47654
SC 47653
UV 47013
SC 47650
C 98437
UV 57637

DRILLED
REAMED
CORED

DRILLER
DERRICK
MOTORMAN
FLOORMAN
FLOORMAN
FIREMAN

TALLY

BIT RECORD

No. LENGTH BIT No.
STANDS SIZE
SINGLE MAKE
D.C.'s TYPE
SERIAL
JET SIZE
FROM
TO
FOOTAGE
KELLY IN
TOTAL HRS.
RAT HOLE TOP COND.

REMARKS AND INJURIES:

CONTRACTOR'S TIME

CO's TIME

4 - 12 TOUR

FROM TO FOOTAGE HRS. SIZE

Tour 3 4 P.M. to Midnite Hrs.

IS LOCKED.

DRILLED
REAMED
CORED

DRILLER
DERRICK
MOTORMAN
FLOORMAN
FLOORMAN
FIREMAN

TALLY

BIT RECORD

No. LENGTH BIT No.
STANDS SIZE
SINGLE MAKE
D.C.'s TYPE
SERIAL
JET SIZE
FROM
TO
FOOTAGE
KELLY IN
TOTAL HRS.
RAT HOLE TOP COND.

REMARKS AND INJURIES:

IN. EQUIPMENT FAILURES

TIME LOST

ON MILE TOOL PUSHER: [Signature]

APPROVED: [Signature]

CALGARY OFFICE

SOCONY MOBIL OIL OF CANADA, LTD.

DAILY DRILLING REPORT

FIELD or AREA: VUKON

WELL NAME & No. BIRCH.

CONTRACTOR Linker Drilling

TIME	MUD RECORD				BIT WT. M	TABLE RPM	PUMP		DEVIATION		START	STOP	HRS.	WORK RECORD	12-8 TOUR				
	WT.	VISC.	W.L.	F.C.			SPM	PRESS	DEPTH	DEG.									
2 A.M.											7:30	8:30	1	TRAVEL TO PARKIN AIR STRIKE FOR PARTS.					
4 A.M.											8:30	10:30	2	TRAVEL TO BIRCH LOC.					
6 A.M.											10:30	11:30	1	SERVICE START UNITS					
8 A.M.											11:30	12:30	1	INSTALL NEW SHIFTER COLLAR					
											12:30	5:00	1/2	WRONG PIECE BUT TRY TO MAKE FIT.					
											5:00	6:00	1	TEAR OUT BEAR BOX					
											6:00	10:00	4	TRAVEL TO PORCUPINE J. TO REPAIR					
											10:00	11:00	1	TRAVEL BACK TO Camp.					
LINER SIZE: _____ STROKE _____ MUD & CHEMICALS _____ LBS. Added _____ KIND _____												BOP Tested _____		DRILLER: <u>W. H. ...</u>		CONTRACTOR'S TIME _____		CO'S TIME _____	

15

TIME	MUD RECORD				BIT WT. M	TABLE RPM	PUMP		DEVIATION		START	STOP	HRS.	WORK RECORD	8-4 TOUR				
	WT.	VISC.	W.L.	F.C.			SPM	PRESS	DEPTH	DEG.									
10 A.M.																			
NOON																			
2 P.M.																			
4 P.M.																			
LINER SIZE: _____ STROKE _____ MUD & CHEMICALS _____ LBS. Added _____ KIND _____												BOP Tested _____		DRILLER: _____		CONTRACTOR'S TIME _____		CO'S TIME _____	

TIME	MUD RECORD				BIT WT. M	TABLE RPM	PUMP		DEVIATION		START	STOP	HRS.	WORK RECORD	4-12 TOUR				
	WT.	VISC.	W.L.	F.C.			SPM	PRESS	DEPTH	DEG.									
6 P.M.																			
8 P.M.																			
10 P.M.																			
12 P.M.																			
LINER SIZE: _____ STROKE _____ MUD & CHEMICALS _____ LBS. Added _____ KIND _____ LBS. _____ ON HAND _____												BOP Tested _____		DRILLER: _____		CONTRACTOR'S TIME _____		CO'S TIME _____	

CASING TESTED TO: _____ PSI. MIN. _____ FORMATION TESTED _____ PSI. MIN. _____ EQUIPMENT FAILURES _____
 RIG FUEL CONSUMPTION _____ GALS _____ BOILER FUEL CONSUMPTION _____ GALS _____ WIRELINE TON MILE _____ TOOL PUSHER: Reuce

BIL OIL OF CANADA, LTD.

DATE March 18/65

No. 6 DAILY TIME SHEET

LOGGING REPORT

CONTRACTOR

Pankey Drilling Co. Con. RIG No. Piling Drill

Well Birch #1
Sagony Mobil Oil & Con
Approved _____ Date Mar 18/65

WORK RECORD

12-8 TOUR

FROM TO FOOTAGE HRS. SIZE

Tour 1 Midnite to 8 A.M. Hrs.

Remove Air Stripe for Parts.
Check Loc.
Get Units
Dieter Cullor
But try to make fit.
HR Box
Recupinal J. To Repair
To Camp.

DRILLED
REAMED
CORED

TALLY

BIT RECORD

No. LENGTH
STANDS
SINGLE
D.C.'s
KELLY IN
TOTAL
RAT HOLE TOP

BIT No.
SIZE
MAKE
TYPE
SERIAL
JET SIZE
FROM
TO
FOOTAGE
HRS.
COND.

DRILLER W. Blimm 15
DERRICK
MOTORMAN B. Simpson 15
FLOORMAN
FLOORMAN
FIREMAN

REMARKS AND INJURIES:

CONTRACTOR'S TIME

CO's. TIME

8-4 TOUR

FROM TO FOOTAGE HRS. SIZE

Tour 2 8 A.M. to 4 P.M. Hrs.

DRILLED
REAMED
CORED

TALLY

BIT RECORD

No. LENGTH
STANDS
SINGLE
D.C.'s
KELLY IN
TOTAL
RAT HOLE TOP

BIT No.
SIZE
MAKE
TYPE
SERIAL
JET SIZE
FROM
TO
FOOTAGE
HRS.
COND.

DRILLER
DERRICK
MOTORMAN
FLOORMAN
FLOORMAN
FIREMAN

REMARKS AND INJURIES:

CONTRACTOR'S TIME

CO's. TIME

4-12 TOUR

FROM TO FOOTAGE HRS. SIZE

Tour 3 4 P.M. to Midnite Hrs.

DRILLED
REAMED
CORED

TALLY

BIT RECORD

No. LENGTH
STANDS
SINGLE
D.C.'s
KELLY IN
TOTAL
RAT HOLE TOP

BIT No.
SIZE
MAKE
TYPE
SERIAL
JET SIZE
FROM
TO
FOOTAGE
HRS.
COND.

DRILLER
DERRICK
MOTORMAN
FLOORMAN
FLOORMAN
FIREMAN

REMARKS AND INJURIES:

CONTRACTOR'S TIME

CO's. TIME

MIN. EQUIPMENT FAILURES
TON MILE TOOL PUSHER: R. Bruce

TIME LOST
APPROVED: M. Blimm

CALGARY OFFICE

SOCONY MOBIL OIL OF CANADA, LTD.

DAILY DRILLING REPORT

FIELD or AREA: YUKON WELL NAME & No. BIRCH CONTRACTOR Leather Drilling Co. Can.

TIME	MUD RECORD				BIT WT. M	TABLE RPM	PUMP		DEVIATION		START	STOP	HRS.	WORK RECORD	12 - 8 TOUR			
	WT.	VISC.	W.L.	F.C.			SPM	PRESS	DEPTH	DEG.								
											6:30	7:00	1/2	LOAD FULL AND PICK UP BITS.				
2 A.M.											7:30	8:30	1	TRAVE TO BIRCH LOCATION				
4 A.M.											8:30	9:30	1	SERVICE AND START UNITS				
6 A.M.											9:30	4:30	7	DRILL 9 1/2" PILING HOLES				
8 A.M.											4:30	5:00	1/2	CHANGE BIT TO 12 1/4"				
											5:00	6:00	1	DRILL				
LINER SIZE: _____ STROKE _____											6:00	7:00	1	PULL DOWN BROKE TAKE OUT TO REPAIR				
MUD & CHEMICALS											7:00	8:00	1	TRAVEL TO CAMP.				
LBS. Added: _____ KIND _____											T3							
											BOP Tested		DRILLER: <u>W. A. ...</u>	CONTRACTOR'S TIME	CO's TIME			
TIME	MUD RECORD				BIT WT. M	TABLE RPM	PUMP		DEVIATION		START	STOP	HRS.	WORK RECORD	8 - 4 TOUR			
	WT.	VISC.	W.L.	F.C.			SPM	PRESS	DEPTH	DEG.								
10 A.M.																		
NOON																		
2 P.M.																		
4 P.M.																		
LINER SIZE: _____ STROKE _____																		
MUD & CHEMICALS																		
LBS. Added: _____ KIND _____																		
											BOP Tested		DRILLER: _____	CONTRACTOR'S TIME	CO's TIME			
TIME	MUD RECORD				BIT WT. M	TABLE RPM	PUMP		DEVIATION		START	STOP	HRS.	WORK RECORD	4 - 12 TOUR			
	WT.	VISC.	W.L.	F.C.			SPM	PRESS	DEPTH	DEG.								
6 P.M.																		
8 P.M.																		
10 P.M.																		
12 P.M.																		
LINER SIZE: _____ STROKE _____																		
MUD & CHEMICALS																		
LBS. Added: _____ KIND _____											LBS.		ON HAND					
											BOP Tested		DRILLER: _____	CONTRACTOR'S TIME	CO's TIME			

CASING TESTED TO: _____ PSI. MIN. FORMATION TESTED PSI. MIN. EQUIPMENT FAILURES _____
 RIG FUEL CONSUMPTION _____ GALS BOILER FUEL CONSUMPTION _____ GALS WIRELINE TON MILE _____ TOOL PUSHER: Retur...

MOBIL OIL OF CANADA, LTD.

DATE *March 17*

No. _____ DAILY TIME SHEET 13

DRILLING REPORT

Well *Birch #1*
Secondary Mobil Oil O.S. Can.

CONTRACTOR *Parker Drilling Co. Can. Ltd.* RIG No. *Piling Drill.*

Approved _____ Date *Mar 17/61*

WORK RECORD		12 - 8 TOUR		FROM	TO	FOOTAGE	HRS.	SIZE	Tour 1	Midnite to 8 A.M.	Hrs.
<i>AND PICK UP BITS.</i>		DRILLED							DRILLER	<i>Int. 61mm</i>	<i>13</i>
<i>DRILL LOCATION</i>		REAMED							DERRICK		
<i>START UNITS</i>		CORED							MOTORMAN	<i>B. Simpson</i>	<i>13</i>
<i>PIPING HOLES</i>		TALLY		BIT RECORD					FLOORMAN		
<i>To 12 1/4"</i>		No.	LENGTH	BIT No.					FLOORMAN		
<i>BROKE THROUGH TO REPAIR</i>		STANDS		SIZE					FIREMAN		
<i>Camp.</i>		SINGLE		MAKE					REMARKS AND INJURIES:		
		D.C.'s		TYPE							
				SERIAL							
				JET SIZE							
				FROM							
				TO							
		KELLY IN		FOOTAGE							
		TOTAL		HRS.							
CONTRACTOR'S TIME		RAT HOLE TOP		COND.							
CO's. TIME											

WORK RECORD		8 - 4 TOUR		FROM	TO	FOOTAGE	HRS.	SIZE	Tour 2	8 A.M. to 4 P.M.	Hrs.
		DRILLED							DRILLER		
		REAMED							DERRICK		
		CORED							MOTORMAN		
		TALLY		BIT RECORD					FLOORMAN		
		No.	LENGTH	BIT No.					FLOORMAN		
		STANDS		SIZE					FIREMAN		
		SINGLE		MAKE					REMARKS AND INJURIES:		
		D.C.'s		TYPE							
				SERIAL							
				JET SIZE							
				FROM							
				TO							
		KELLY IN		FOOTAGE							
		TOTAL		HRS.							
CONTRACTOR'S TIME		RAT HOLE TOP		COND.							
CO's. TIME											

WORK RECORD		4 - 12 TOUR		FROM	TO	FOOTAGE	HRS.	SIZE	Tour 3	4 P.M. to Midnite	Hrs.
		DRILLED							DRILLER		
		REAMED							DERRICK		
		CORED							MOTORMAN		
		TALLY		BIT RECORD					FLOORMAN		
		No.	LENGTH	BIT No.					FLOORMAN		
		STANDS		SIZE					FIREMAN		
		SINGLE		MAKE					REMARKS AND INJURIES:		
		D.C.'s		TYPE							
				SERIAL							
				JET SIZE							
				FROM							
				TO							
		KELLY IN		FOOTAGE							
		TOTAL		HRS.							
CONTRACTOR'S TIME		RAT HOLE TOP		COND.							
CO's. TIME											

SI. MIN. _____ EQUIPMENT FAILURES _____ TIME LOST _____
 LINE TON MILE _____ TOOL PUSHER: *R. B. ...* APPROVED: *M. Graham* CALGARY OFFICE

DBIL OIL OF CANADA, LTD.

DATE *march 16/65*

No. 4 DAILY TIME SHEET

DRILLING REPORT

CONTRACTOR

Parker Drilling Co. & Co.

RIG No.

No. 4
Piling Drill

Well

Birch #1

Approved

Date *Mar 16,*

WORK RECORD

12 - 8 TOUR

FROM TO FOOTAGE HRS. SIZE

Tour 1 Midnite to 8 A.M. Hrs.

DRILLED

DRILLER

W. Blimm 14

REAMED

DERRICK

CORED

MOTORMAN

G. Simpson 14

TALLY

BIT RECORD

No.

LENGTH

BIT No.

STANDS

SIZE

SINGLE

MAKE

D.C.'s

TYPE

SERIAL

JET SIZE

FROM

TO

KELLY IN

FOOTAGE

TOTAL

HRS.

RATHOLE TOP

COND.

REMARKS AND INJURIES:

CONTRACTOR'S TIME

CO'S. TIME

8 - 4 TOUR

FROM TO FOOTAGE HRS. SIZE

Tour 2 8 A.M. to 4 P.M. Hrs.

DRILLED

DRILLER

REAMED

DERRICK

CORED

MOTORMAN

TALLY

BIT RECORD

No.

LENGTH

BIT No.

STANDS

SIZE

SINGLE

MAKE

D.C.'s

TYPE

SERIAL

JET SIZE

FROM

TO

KELLY IN

FOOTAGE

TOTAL

HRS.

RATHOLE TOP

COND.

REMARKS AND INJURIES:

CONTRACTOR'S TIME

CO'S. TIME

4 - 12 TOUR

FROM TO FOOTAGE HRS. SIZE

Tour 3 4 P.M. to Midnite Hrs.

DRILLED

DRILLER

REAMED

DERR CK

CORED

MOTORMAN

TALLY

BIT RECORD

No.

LENGTH

BIT No.

STANDS

SIZE

SINGLE

MAKE

D.C.'s

TYPE

SERIAL

JET SIZE

FROM

TO

KELLY IN

FOOTAGE

TOTAL

HRS.

RATHOLE TOP

COND.

REMARKS AND INJURIES:

MIN.

EQUIPMENT FAILURES

TIME LOST

TON MILE

TOOL PUSHER:

Raman

APPROVED:

M. Graham

CALGARY OFFICE

SOCONY MOBIL OIL OF CANADA, LTD.

DAILY DRILLING REPORT

FIELD or AREA: YUKON

WELL NAME & No. BIRCH LOC.

CONTRACTOR Parker Drilling Co. Can

12-8 TOUR

TIME	MUD RECORD				BIT WT. M	TABLE RPM	PUMP		DEVIATION		START	STOP	HRS.	WORK RECORD
	WT.	VISC.	W.L.	F.C.			SPM	PRESS	DEPTH	DEG.				
											7:00	7:30	1/2	LOAD FUEL
2 A.M.											7:30	8:30	1	TRAVEL TO BIRCH LOC.
4 A.M.											8:30	9:30	1	SERVICE AND START UNITS
6 A.M.											9:30	10:00	1/2	SPOOL NEW LINE FOR RIG.
8 A.M.											10:00	3:00	5	DRILL 12 1/4' PILING HOLES
											3:00	3:30	1/2	HOCK UP STEAM COILS TO COOL AIR.
	LINER SIZE:				STROKE						3:30	5:30	2	DRILL
	MUD & CHEMICALS										5:30	6:00	1/2	REPAIR BRAKES ON IHC 190
	LBS. Added	KIND									6:00	6:30	1/2	CANCEL BIT TO 9 1/2"
											6:30	8:00	1 1/2	DRILL 9 1/2' PILING HOLES
											8:00	9:00	1	RETURN TO CAMP.

BOP Tested

DRILLER: W. A. Lewis

CONTRACTOR'S TIME

CO'S TIME

8-4 TOUR

TIME	MUD RECORD				BIT WT. M	TABLE RPM	PUMP		DEVIATION		START	STOP	HRS.	WORK RECORD
	WT.	VISC.	W.L.	F.C.			SPM	PRESS	DEPTH	DEG.				
10 A.M.														
NOON														
2 P.M.														
4 P.M.														

BOP Tested

DRILLER:

CONTRACTOR'S TIME

CO'S TIME

4-12 TOUR

TIME	MUD RECORD				BIT WT. M	TABLE RPM	PUMP		DEVIATION		START	STOP	HRS.	WORK RECORD
	WT.	VISC.	W.L.	F.C.			SPM	PRESS	DEPTH	DEG.				
6 P.M.														
8 P.M.														
10 P.M.														
12 P.M.														

BOP Tested

DRILLER:

CONTRACTOR'S TIME

CO'S TIME

CASING TESTED TO: _____ PSI. MIN.

FORMATION TESTED _____

PSI. MIN.

EQUIPMENT FAILURES _____

RIG FUEL CONSUMPT. ON _____ GALS

BOILER FUEL CONSUMPTION _____

GALS

WIRELINE TON MILE _____

TOOL PUSHER: Adrianes

PETROBRIL OIL OF CANADA, LTD.

DATE MARCH 15/65

No. 5 DAILY TIME SHEET

LOG REPORT

Well Birch #1

CONTRACTOR

Parker Drilling Co. Ltd.

RIG No.

No. 3 Piling Drill

Approved

Date Mar 15/65

WORK RECORD

12 - 8 TOUR

FROM TO FOOTAGE HRS. SIZE

Tour 1 Midnite to 8 A.M. Hrs.

W Loc.
PART UNITS
FOR RIG.
INA HOLES
COILS TO COOL AIR.
ON IHC 190
HOLLS
P.

DRILLED
REAMED
CORED

DRILLER W. Blimm 14
DERRICK
MOTORMAN G. Simpson 14
FLOORMAN
FLOORMAN
FIREMAN

TALLY

BIT RECORD

No. LENGTH BIT No.
STANDS SIZE
SINGLE MAKE
D.C.'s TYPE
SERIAL
JET SIZE
FROM
TO
FOOTAGE
KELLY IN
TOTAL HRS.
RAT HOLE TOP COND.

REMARKS AND INJURIES:

CONTRACTOR'S TIME

CO'S. TIME

8 - 4 TOUR

FROM TO FOOTAGE HRS. SIZE

Tour 2 8 A.M. to 4 P.M. Hrs.

DRILLED
REAMED
CORED

DRILLER
DERRICK
MOTORMAN
FLOORMAN
FLOORMAN
FIREMAN

TALLY

BIT RECORD

No. LENGTH BIT No.
STANDS SIZE
SINGLE MAKE
D.C.'s TYPE
SERIAL
JET SIZE
FROM
TO
FOOTAGE
KELLY IN
TOTAL HRS.
RAT HOLE TOP COND.

REMARKS AND INJURIES:

CONTRACTOR'S TIME

CO'S. TIME

4 - 12 TOUR

FROM TO FOOTAGE HRS. SIZE

Tour 3 4 P.M. to Midnite Hrs.

DRILLED
REAMED
CORED

DRILLER
DERRICK
MOTORMAN
FLOORMAN
FLOORMAN
FIREMAN

TALLY

BIT RECORD

No. LENGTH BIT No.
STANDS SIZE
SINGLE MAKE
D.C.'s TYPE
SERIAL
JET SIZE
FROM
TO
FOOTAGE
KELLY IN
TOTAL HRS.
RAT HOLE TOP COND.

REMARKS AND INJURIES:

CONTRACTOR'S TIME

CO'S. TIME

EQUIPMENT FAILURES

TIME LOST

TOOL PUSHER: Attended

APPROVED: M. Graham

CALGARY OFFICE

SOCONY MOBIL OIL OF CANADA, LTD.

DAILY DRILLING REPORT

FIELD or AREA: YUKON

WELL NAME & No. BIRCH Loc.

CONTRACTOR

Parker Drilling Co.

TIME	MUD RECORD				BIT WT. M	TABLE RPM	PUMP		DEVIATION		START	STOP	HRS.	WORK RECORD	12-8 TOUR
	WT.	VISC.	W.L.	F.C.			SPM	PRESS	DEPTH	DEG.					
											7:00	7:30	1/2	LUMP FUEL	
2 A.M.											7:30	8:30	1	TRAVEL TO BIRCH LOC.	
4 A.M.											8:30	9:30	1	SERVICE AND START UNITS	
6 A.M.											9:30	10:00	1/2	DRILL ON 1 1/2" HOLE TO TEST FORMATION.	
8 A.M.											10:00	2:00	4	DRILL 12 1/4" PILING HOLES	
											2:00	2:30	1/2	REPAIR COMPRESSOR	
											2:30	4:30	2	DRILL 12 1/4" PILING HOLES	
											4:30	5:00	1/2	CHANGE BIT.	
											5:00	7:00	2	DRILL	
											7:00	8:00	1	TRAVEL BACK TO CAMP	
													13		

BOP Tested													DRILLER: <u>W. Johnson</u>	CONTRACTOR'S TIME	CO'S. TIME	8-4 TOUR
TIME	MUD RECORD				BIT WT. M	TABLE RPM	PUMP		DEVIATION		START	STOP	HRS.			
	WT.	VISC.	W.L.	F.C.			SPM	PRESS	DEPTH	DEG.						
10 A.M.																
NOON																
2 P.M.																
4 P.M.																

BOP Tested													DRILLER:	CONTRACTOR'S TIME	CO'S. TIME	4-12 TOUR
TIME	MUD RECORD				BIT WT. M	TABLE RPM	PUMP		DEVIATION		START	STOP	HRS.			
	WT.	VISC.	W.L.	F.C.			SPM	PRESS	DEPTH	DEG.						
6 P.M.																
8 P.M.																
10 P.M.																
12 P.M.																

CASING TESTED TO:

PSI. MIN.

FORMATION TESTED

PSI. MIN.

EQUIPMENT FAILURES

RIG FUEL CONSUMPTION

GALS

BOILER FUEL CONSUMPTION

GALS

WIRELINE TON MILE

COIL PUSHER:

R. P. ...

MOBIL OIL OF CANADA, LTD.

DATE MARCH 14th

No. 2 DAILY TIME SHEET

DRILLING REPORT

CONTRACTOR

Parker Drilling Co of Can

RIG No.

Piling Drill

Well Brch #1

Approved Secretary Mobil Oil of Can

Date March 14

WORK RECORD

12 - 8 TOUR

FROM TO FOOTAGE HRS. SIZE

Tour 1 Midnite to 8 A.M. Hrs.

DRILLED
REAMED
COFED

DRILLER W. G. Limm 13
DERRICK
MOTORMAN G. Simpson 13
FLOORMAN
FLOORMAN
FIREMAN

Start Loc.
START UNITS
HOLE TO TEST FORMATION.
PILING HOLES
PRESSOR
PILING HOLES

TALLY

BIT RECORD

No. LENGTH BIT No.
STANDS SIZE
SINGLE MAKE
D.C.'s TYPE
SERIAL
JET SIZE
FROM
TO
FOOTAGE

REMARKS AND INJURIES:

To Camp

CONTRACTOR'S TIME

CO's TIME

TOTAL
RAT HOLE TOP

HRS.
COND.

8 - 4 TOUR

FROM TO FOOTAGE HRS. SIZE

Tour 2 8 A.M. to 4 P.M. Hrs.

DRILLED
REAMED
CORED

DRILLER
DERRICK
MOTORMAN
FLOORMAN
FLOORMAN
FIREMAN

TALLY

BIT RECORD

No. LENGTH BIT No.
STANDS SIZE
SINGLE MAKE
D.C.'s TYPE
SERIAL
JET SIZE
FROM
TO
FOOTAGE

REMARKS AND INJURIES:

CONTRACTOR'S TIME

CO's TIME

TOTAL
RAT HOLE TOP

HRS.
COND.

4 - 12 TOUR

FROM TO FOOTAGE HRS. SIZE

Tour 3 4 P.M. to Midnite Hrs.

DRILLED
REAMED
CORED

DRILLER
DERRICK
MOTORMAN
FLOORMAN
FLOORMAN
FIREMAN

TALLY

BIT RECORD

No. LENGTH BIT No.
STANDS SIZE
SINGLE MAKE
D.C.'s TYPE
SERIAL
JET SIZE
FROM
TO
FOOTAGE

REMARKS AND INJURIES:

CONTRACTOR'S TIME

CO's TIME

TOTAL
RAT HOLE TOP

HRS.
COND.

MIN.

EQUIPMENT FAILURES

TIME LOST

NET TON MILE

TOOL PUSHER: R. P. ...

APPROVED: M. Graham

CALGARY OFFICE

MOBIL OIL OF CANADA, LTD.

DATE MARCH 13/65

No. 1 DAILY TIME SHEET 336

DRILLING REPORT

STATION CONTRACTOR Parker Drilling Co. & Co. RIG No. Piling Drill No. 1

Well Birch #1
Sacramento Mobil Oil at Can
Approved _____ Date Mar 13/65

WORK RECORD		12 - 8 TOUR		FROM	TO	FOOTAGE	HRS.	SIZE	Tour 1	Midnite to 8 A.M.	Hrs.	
<u>Porcupine Junction To Rig 10 to pick up</u>		DRILLED							DRILLER	<u>W. Blimm</u>	<u>12</u>	
<u>BLUE PRINTS.</u>		REAMED							DERRICK			
<u>EM LOCATION</u>		CORED							MOTORMAN	<u>G. Simpson</u>	<u>12</u>	
<u>ALL</u>		TALLY		BIT RECORD								
<u>START UNITS</u>		No.	LENGTH	BIT No.								
<u>PILING HOLES</u>		STANDS		SIZE								
<u>ALL TO 5'</u>		SINGLE		MAKE								
		D.C.'s		TYPE								
				SERIAL								
				JET SIZE								
				FROM								
				TO								
		KELLY IN		FOOTAGE								
		TOTAL		HRS.								
		RAT HOLE TOP		COND.								
CONTRACTOR'S TIME		CO's. TIME						REMARKS AND INJURIES:				

WORK RECORD		8 - 4 TOUR		FROM	TO	FOOTAGE	HRS.	SIZE	Tour 2	8 A.M. to 4 P.M.	Hrs.	
		DRILLED							DRILLER			
		REAMED							DERRICK			
		CORED							MOTORMAN			
		TALLY		BIT RECORD								
		No.	LENGTH	BIT No.								
		STANDS		SIZE								
		SINGLE		MAKE								
		D.C.'s		TYPE								
				SERIAL								
				JET SIZE								
				FROM								
				TO								
		KELLY IN		FOOTAGE								
		TOTAL		HRS.								
		RAT HOLE TOP		COND.								
CONTRACTOR'S TIME		CO's. TIME						REMARKS AND INJURIES:				

WORK RECORD		4 - 12 TOUR		FROM	TO	FOOTAGE	HRS.	SIZE	Tour 3	4 P.M. to Midnite	Hrs.	
		DRILLED							DRILLER			
		REAMED							DERRICK			
		CORED							MOTORMAN			
		TALLY		BIT RECORD								
		No.	LENGTH	BIT No.								
		STANDS		SIZE								
		SINGLE		MAKE								
		D.C.'s		TYPE								
				SERIAL								
				JET SIZE								
				FROM								
				TO								
		KELLY IN		FOOTAGE								
		TOTAL		HRS.								
		RAT HOLE TOP		COND.								
CONTRACTOR'S TIME		CO's. TIME						REMARKS AND INJURIES:				

MIN. _____ EQUIPMENT FAILURES _____ TIME LOST _____
 TON MILE _____ TOOL PUSHER: R. Russell APPROVED: M. Blaham CALGARY OFFICE _____

SOCONY MOBIL OIL OF CANADA, LTD.

DAILY DRILLING REPORT

FIELD or AREA: YUKON WELL NAME & No. BIRCH CATH. LOC. CONTRACTOR Parker Drilling Co.

TIME	MUD RECORD				BIT WT. M	TABLE RPM	PUMP		DEVIATION		START	STOP	HRS.	WORK RECORD	12-8 TOUR
	WT.	VISC.	W.L.	F.C.			SPM	PRESS	DEPTH	DEG.					
2 A.M.											4:00	8:00	1	TRAVEL TO CATH LOC	
4 A.M.											8:00	9:00	1	WAIT ON TRUCKS	
6 A.M.											9:00	10:30	1 1/2	LOAD OUT RIG.	
8 A.M.											10:30	2:30	4	DRIVE TO RIG 10 th HELP MAKE BLUEPRINTS	
											2:30	3:30	1	TRAVEL TO BIRCH LOC.	
											3:30	4:00	2	RAISE MAST	
											4:00	7:00	3	WAIT ON COMPRESSORS	
											7:00	8:00	1	UNLOAD & SPOT SAME.	
											8:00	9:00	1	TRAVE FROM BIRCH TO PORCUPINE JUNCTION.	
														NOT ^L .	
														G. SIMPSON TRAVE SOUTH TRILL TO PORCUPINE JUNC.	
														BOP Tested	
														DRILLER: <u>W. Gibson</u>	
														CONTRACTOR'S TIME	
														CO'S. TIME	

TIME	MUD RECORD				BIT WT. M	TABLE RPM	PUMP		DEVIATION		START	STOP	HRS.	WORK RECORD	8-4 TOUR
	WT.	VISC.	W.L.	F.C.			SPM	PRESS	DEPTH	DEG.					
10 A.M.															
NOON															
2 P.M.															
4 P.M.															
														BOP Tested	
														DRILLER:	
														CONTRACTOR'S TIME	
														CO'S. TIME	

TIME	MUD RECORD				BIT WT. M	TABLE RPM	PUMP		DEVIATION		START	STOP	HRS.	WORK RECORD	4-12 TOUR
	WT.	VISC.	W.L.	F.C.			SPM	PRESS	DEPTH	DEG.					
6 P.M.															
8 P.M.															
10 P.M.															
12 P.M.															
														BOP Tested	
														DRILLER:	
														CONTRACTOR'S TIME	
														CO'S. TIME	

CASING TESTED TO: _____ PSI. MIN. FORMATION TESTED _____ PSI. MIN. EQUIPMENT FAILURES _____

RIG FUEL CONSUMPTION _____ GALS BOILER FUEL CONSUMPTION _____ GALS WIRELINE TON MILE _____ TOOL PUSHER: At 1000000

BPIL OIL OF CANADA, LTD.

DATE MARCH 12

No. 1 DAILY TIME SHEET

DRILLING REPORT

CONTRACTOR

Parker Drilling Co. & Co. RIG No. 11111

No. 1

Well Birch #1

Approved Wally Blimm Date March 12

WORK RECORD

12 - 8 TOUR

FROM TO FOOTAGE HRS. SIZE

Tour 1 Midnite to 8 A.M. Hrs.

12-8 TOUR

DRILLED

DRILLER

REAMED

DERRICK

CORED

MOTORMAN

TALLY

BIT RECORD

No.

LENGTH

BIT No.

STANDS

SIZE

SINGLE

MAKE

D.C.'s

TYPE

SERIAL

JET SIZE

FROM

TO

FOOTAGE

KELLY IN

TOTAL

HRS.

CONTRACTOR'S TIME

CO's. TIME

RAT HOLE TOP

COND.

REMARKS AND INJURIES:

NOth HELP MAKE BLUE PRINTS
RICH LOC.

COMPRESSORS

AT SAME

BIRCH TO PORCUPINE JUNCTION.

TABLE SOUTH TITTLE TO PORCUPINE
JUN.

8 - 4 TOUR

FROM TO FOOTAGE HRS. SIZE

Tour 2 8 A.M. to 4 P.M. Hrs.

DRILLED

DRILLER

REAMED

DERRICK

CORED

MOTORMAN

TALLY

BIT RECORD

No.

LENGTH

BIT No.

STANDS

SIZE

SINGLE

MAKE

D.C.'s

TYPE

SERIAL

JET SIZE

FROM

TO

FOOTAGE

KELLY IN

TOTAL

HRS.

CONTRACTOR'S TIME

CO's. TIME

RAT HOLE TOP

COND.

REMARKS AND INJURIES:

4 - 12 TOUR

FROM TO FOOTAGE HRS. SIZE

Tour 3 4 P.M. to Midnite Hrs.

DRILLED

DRILLER

REAMED

DERRICK

CORED

MOTORMAN

TALLY

BIT RECORD

No.

LENGTH

BIT No.

STANDS

SIZE

SINGLE

MAKE

D.C.'s

TYPE

SERIAL

JET SIZE

FROM

TO

FOOTAGE

KELLY IN

TOTAL

HRS.

CONTRACTOR'S TIME

CO's. TIME

RAT HOLE TOP

COND.

REMARKS AND INJURIES:

MIN. EQUIPMENT FAILURES

TIME LOST

TON MILE TOOL PUSHER: 14000000

APPROVED: W Blimm

CALGARY OFFICE

SOCONY MOBIL OIL OF CANADA, LTD.

DAILY DRILLING REPORT

FIELD or AREA: YUKON

WELL NAME & No. CATH BIRCH

CONTRACTOR Lawley Drilling Co.

TIME	MUD RECORD				BIT WT. M	TABLE RPM	PUMP		DEVIATION		START	STOP	HRS.	WORK RECORD	12-8 TOUR
	WT.	VISC.	W.L.	F.C.			SPM	PRESS	DEPTH	DEG.					
2 A.M.											8:00	11:00	3	TRAVEL FROM SOUTH TUTTLE to PORCUPINE J.	(MARCH 10 th)
4 A.M.											1:00	8:00	1	TRAVEL TO CATH LOC.	
6 A.M.											8:00	8:00	12	HELP DRILL 9 3/8" PILING HOLES	
8 A.M.															

LINER SIZE: _____ STROKE _____

MUD & CHEMICALS

LBS. Added: _____ KIND _____

BOP Tested _____

DRILLER: W. Glinin

CONTRACTOR'S TIME _____

CO'S. TIME _____

8-4 TOUR

TIME	MUD RECORD				BIT WT. M	TABLE RPM	PUMP		DEVIATION		START	STOP	HRS.	WORK RECORD	8-4 TOUR
	WT.	VISC.	W.L.	F.C.			SPM	PRESS	DEPTH	DEG.					
10 A.M.											2:00	6:00	1	Travel to Cath location	
NOON											8:00	9:00	1	Service & start unit.	
2 P.M.											9:00	8:00	9	Break swivel from Kelly - weld same	
4 P.M.											6:00	7:00	13	Drilling 9 3/8" piling holes	
											6:00	7:00	1	Return to camp.	

LINER SIZE: _____ STROKE _____

MUD & CHEMICALS

LBS. Added: _____ KIND _____

BOP Tested _____

DRILLER: _____

CONTRACTOR'S TIME _____

CO'S. TIME _____

4-12 TOUR

TIME	MUD RECORD				BIT WT. M	TABLE RPM	PUMP		DEVIATION		START	STOP	HRS.	WORK RECORD	4-12 TOUR
	WT.	VISC.	W.L.	F.C.			SPM	PRESS	DEPTH	DEG.					
6 P.M.															
8 P.M.															
10 P.M.															
12 P.M.															

LINER SIZE: _____ STROKE _____

MUD & CHEMICALS

LBS. Added: _____ KIND _____ LBS. ON HAND _____

BOP Tested _____

DRILLER: _____

CONTRACTOR'S TIME _____

CO'S. TIME _____

CASING TESTED TO: _____

PSI. MIN. _____

FORMATION TESTED _____

PSI. MIN. _____

EQUIPMENT FAILURES _____

RIG FUEL CONSUMPTION _____

GALS _____

BOILER FUEL CONSUMPTION _____

GALS _____

WIRELINE TON MILE _____

TOOL PUSHER: _____

